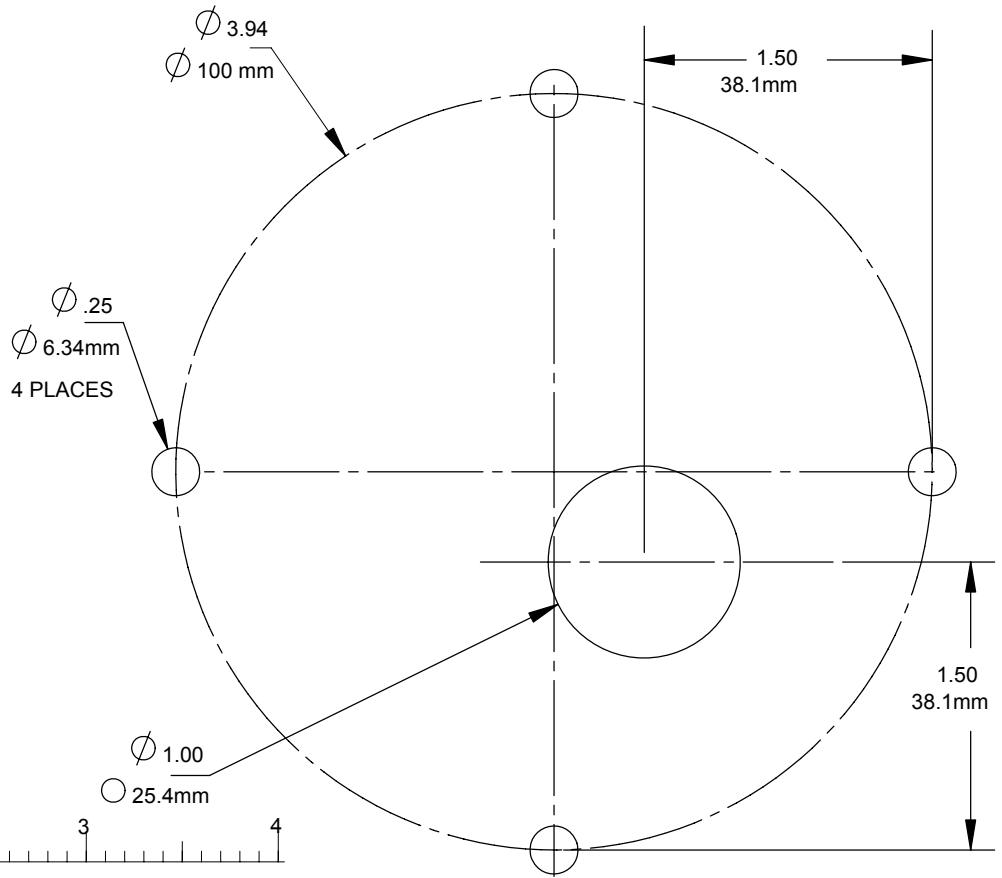




RCL-50 / RCL-100

Remote Control Searchlight System
Mounting Templates

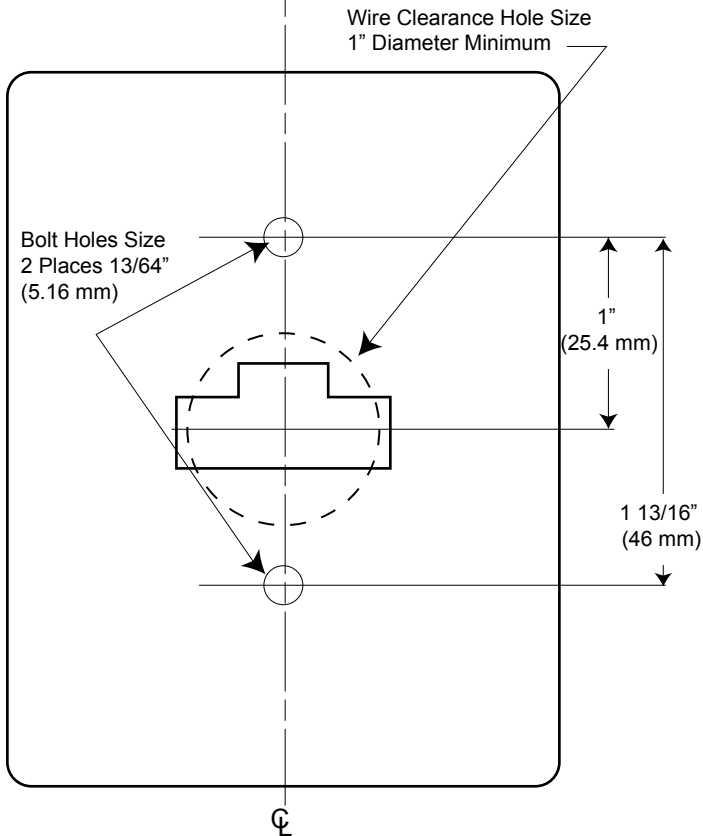
Y1-03-0138-1 Rev. G



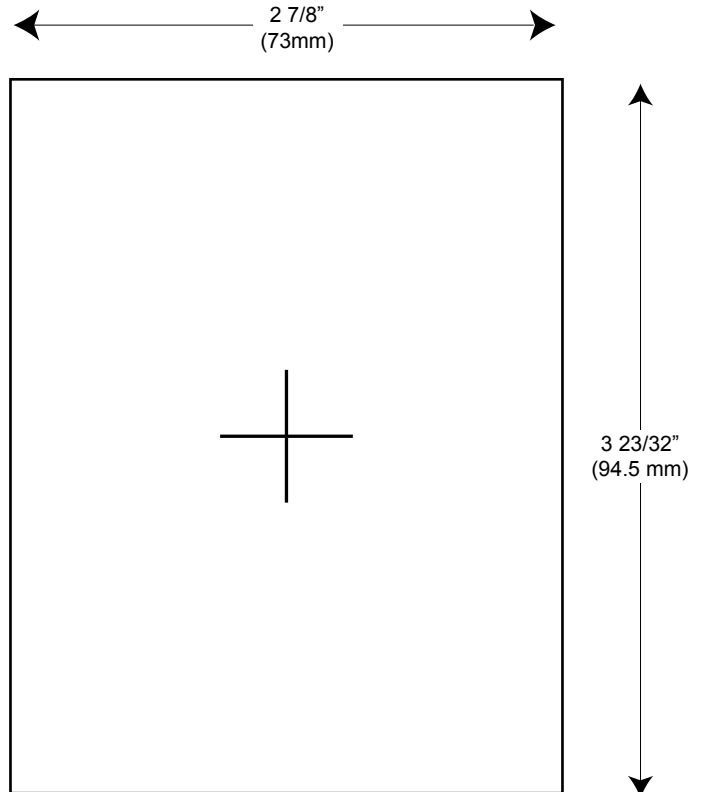
Please Note: If mounting template is obtained from the ACR website, any electronic media or from a photocopy, please verify the dimensions of scale shown with an actual measuring device. Duplicate templates may not be of true 1:1 scale. Any deviation should be considered when using mounting template.

SEARCH LIGHT MOUNTING TEMPLATE

SCALE 1=1 (in.)
1=25.4 (mm)



**URP-102 Point Pad
Surface Mount Template**



**URP-102 Point Pad
Flush Mount Template**
Use U-Clamp to secure
control switch

Learn more about marine lighting we have.