



ACR ELECTRONICS, INC.

USER GUIDE

FLOAT-ON

A pocket LED flashlight and water activated Man Overboard strobe.

Your ACR Float-On is a floating water activated strobe. The strobe will switch on within 8 seconds of being submerged. The strobe will switch off after 20 seconds of no water connection.

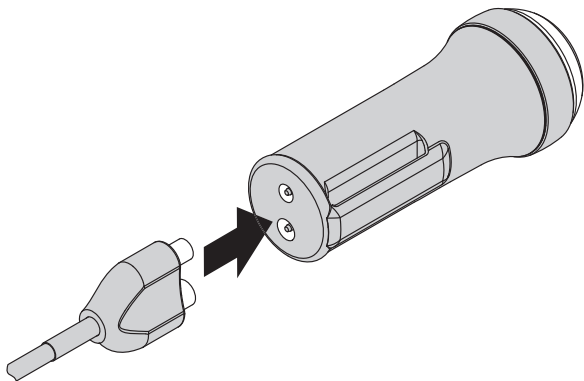
Water Activation mode is active when the bi-color LED flashes green twice every 60 seconds. When a charge is required the LED is solid red.

CHARGING

Charge your ACR Float-On fully before first use

WARNING: Ensure your light is totally dry and salt free before charging.

1. Insert charger cable.
2. The LED will flash green whilst charging.
3. When the battery is fully charged the LED will turn solid green.
4. Charge time 1.5 hours from a 500mA power source.



LIGHT OPERATION & BATTERY LIFE

Sleep mode - Only for storage.

Sleep mode will deactivate water activation mode.

1. From OFF press and hold the button for 10 seconds.
 2. After 10 seconds the bi-color LED will flash red 3 times.
- Press the button to reactivate water activation mode.

LIGHT OPERATION	ACTION
SWITCH ON	DOUBLE PRESS THE BUTTON
CHANGE MODE	SINGLE PRESS THE BUTTON
SWITCH OFF	PRESS AND HOLD THE BUTTON FOR 2 SECONDS
STROBE	PRESS AND HOLD THE BUTTON FOR 2 SECOND
SLEEP MODE (deactivate water activation mode, ONLY for storage)	PRESS AND HOLD THE BUTTON FOR 10 SECONDS

MODE	RUNTIME (HOURS)	LED COLOUR	BATTERY %
HIGH	1.5	GREEN	100 - 50
MEDIUM	4	AMBER	50 - 25
LOW	12	RED	25 - 5
STROBE	20	RED FLASH	5 - EMPTY
STANDBY WITH water activation mode ACTIVE	1440		

WARNING & WARRANTY

Exposure Lights are very powerful lighting systems. Always take care when operating. Do not look directly into the light. This may cause serious injury. Do not shine directly at others. Exposure Lights / Ultimate Sports Engineering Ltd. accept no liability for any injuries or other damages arising from the use of their product in any circumstances.

We are here to help.

If you are experiencing any problems with your ACR Float-On or accessories please contact our Technical Service Department.