



SCALE 1=1 ( in.)  
1=25.4 (mm)

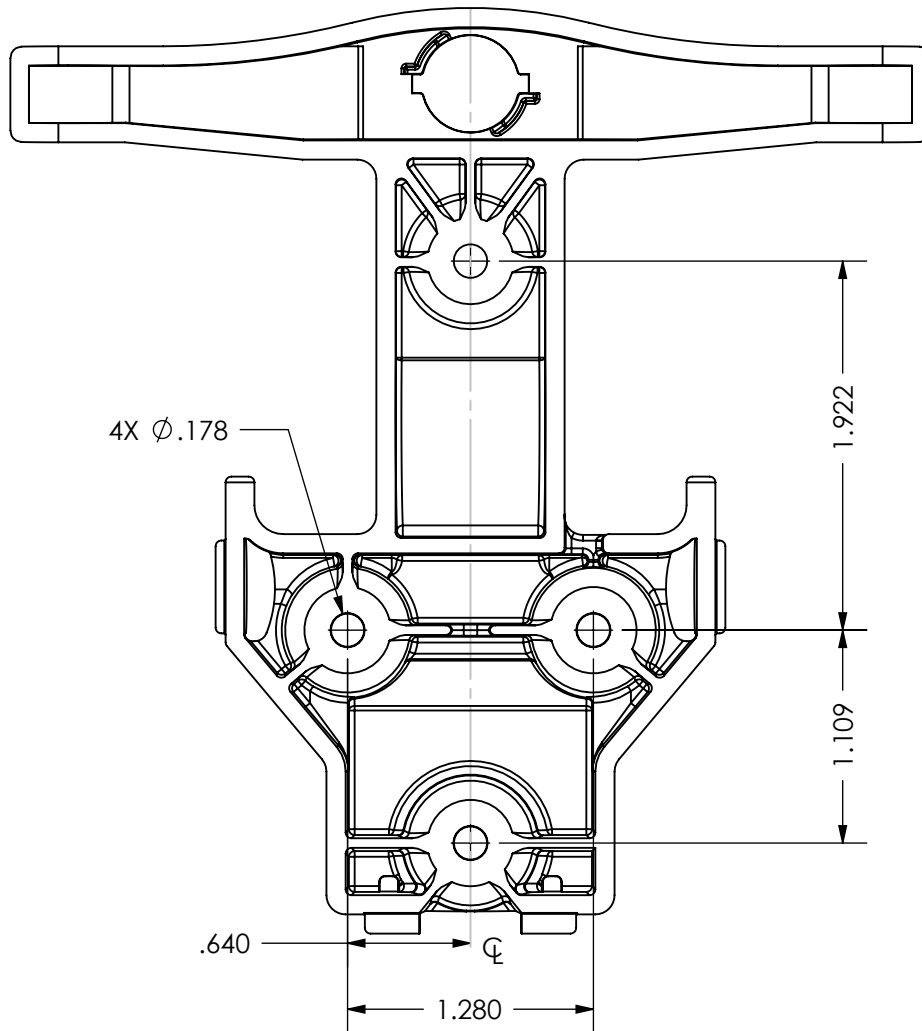


Please Note: If mounting template is obtained from the ACR website, any electronic media, or from a photocopy, please verify the dimensions of the scale shown with actual measuring device. Duplicate templates may not be of true 1:1 scale. Any deviation should be considered when using mounting template.

## LowPro™3

### Mounting Template

Y1-06-0241 Rev. C



**CAUTION:** Category II brackets must be mounted in a protected location that is easily accessible should it be necessary to abandon ship. The LowPro™<sub>3</sub> can be mounted on a vertical surface with the beacon antenna pointed skyward or a horizontal surface with the beacon face up. Avoid mounting locations that subject the bracket to breaking waves. Avoid mounting locations that do not provide protection from harmful UV rays of the sun. The bracket must be mounted facing inboard to avoid being lost overboard due to impacts of breaking waves, personnel or loose gear.