

PRODUCT CATALOG

September 2021



Albin Group

since 1928

CAPTAINS CHOICE

CAPTAINS CHOICE

Pump products that meet and exceed marine business standards in terms of functionality, quality, interchangeability and price. Backed by an experienced team specifying the right product for the right application.

Our focus is value for you. Simple as that.

Albin Group Marine is an expert in pumps and pump solutions for leisure and commercial boats. With us onboard you are sure to have the safest and most reliable product in any situation. For a life at sea where you are in charge and everything has to work. Builder, retailer or captain? Our products will last over time.

We know pumps and pump solutions for pleasure boats. Albin Group Marine develop a complete product portfolio for water management onboard: albinus Pumps and Pump Solutions, which include bilge pumps, waste water pumps, water pressure pumps, impeller pumps, replacement impellers, marine toilets, water heaters, ventilation blowers and defrosters, as well as water treatment products; albinex Pump Out Stations for emptying your holding tanks in marinas. For improved comfort and safety onboard.

Albin Group has a long history with a strong heritage in the marine business. The name Albin was officially registered as a pump and engine manufacturer in 1911. Albin Pump Marine was established as part of the Albin Pump family in 2017. In 2020 Albin Pump Marine merged with Albin Group forming Albin Group Marine with the brands albinus and albinex.

01_Bilge Pumps	4	06_Replacement Impellers	51
Manual Bilge Pumps	5	Pleasure Boat Impellers	52
Submersible Standard Bilge Pumps.....	6	Commercial Boat Impellers	59
Aerator / Livewell Pumps.....	6	Special Impellers	66
Submersible Automatic Bilge Pumps.....	7	Premium Outboard Impellers	69
Submersible Heavy Duty Bilge Pumps	10	Impeller Tools.....	74
Accessories.....	11	07_Marine Toilets	75
Spare Parts	15	Manual Toilets	76
02_Water Pressure Systems	17	Standard Electric Toilets	77
Water Pressure Pumps	18	Silent Electric Toilets	78
Universal WPS Kits	19	Silent Premium Toilets.....	79
Wash Down Pumps.....	20	Toilet Installation	80
Accessories / Spare Parts	21	Accessories / Spare Parts	82
03_Waste Water Systems	24	Spare Parts Schematics.....	94
Waste Water Diaphragm Pumps	25	08_Water Heaters	100
Macerator Pump	26	Premium Water Heaters.....	101
Complete Waste Water Tank Kits.....	27	Stainless Steel Water Heaters	103
Accessories.....	28	Accessories / Spare Parts	104
Spare Parts	29	09_Heaters and Defrosters	106
04_General Purpose Pumps	30	Pleasure Boat Defrosters	107
DC Impeller and Ballast Pumps	31	Commercial Boat Defrosters.....	107
Gear Pumps.....	32	Accessories.....	109
Accessories.....	33	10_Ventilation Blowers	110
05_Self-Priming FIP Pumps	34	Radial Ventilation Blowers.....	111
Engine Cooling Pumps	35	Flange-mounted Blowers	111
Volvo Penta Engines, Cooling Pumps.....	35	Flex-mounted Blowers.....	111
Volvo Penta Engines, High Speed Cooling Pumps	37	In-Line Blowers.....	113
Crankshaft Engines, Cooling Pumps.....	38	11_Pump Out	114
Yanmar Engines, Cooling Pumps	38	Pump Out Stations	115
Scania Engines, Cooling Pumps	39	Pump Out Station Kits.....	116
Craftsman Engines, Cooling Pumps.....	39	Spare Parts	117
Fisher Panda Engines, Cooling Pumps.....	39	12_Pump Water Treatment	120
AC FIP Pumps	40	Freshwater Purification Continual / Routine use.....	121
Pedestal FIP Pumps.....	40	Toilet System Treatment Continual / Routine use	122
Pedestal Electro-Magnetic Clutch Pumps.....	41	Holding Tank Treatment Intermittent / Seasonal use.....	124
Electro-Magnetic Clutches and Coils.....	41		
Accessories.....	42		
Spare Parts	42		



01_Bilge Pumps

Developed for safe performance in all weather conditions and bilge environments. Easy to install and robustly engineered to maximize lifetime. For harsh saltwater and freshwater use, heavy duty motors with stainless steel shaft and durable high impact thermoplastic housing. Designed to be interchangeable, classified as safety products with 2 years limited warranty.

Manual Bilge Pumps.....	5
Submersible Standard Bilge Pumps	6
Aerator / Livewell Pumps.....	6
Submersible Automatic Bilge Pumps	7
Submersible Heavy Duty Bilge Pumps	10
Accessories	11
Spare Parts	15



Manual Bilge Pumps

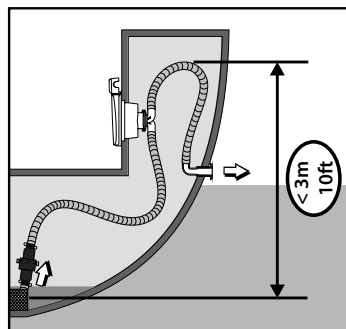
Manual Bilge Pump Flush Mount

Rugged, flush mounted manual bilge pump with integrated handle and appealing design. Install where the pump can be readily accessed while operating the boat; such as in the cockpit, wheelhouse or on deck for power loss situations or installation on boats without electrical systems.

- Compact, manually operated Bilge Pump with integrated handle in the pump cover
- Self-priming
- 3 m (9.8ft) lift/head
- Polypropylene body, metal fittings of stainless steel, nitrile rubber diaphragm and valves
- Heavy duty non-choke valves
- High-flow tricuspid valve on the outlet port
- Positionable elbow connectors, 2 x 25 mm and 2 x 38 mm (1" and 1½")
- Conforms to ISO 15083 Small Craft – Bilge Pump Systems

PN	Capacity* 3 ft head (1 m)		Ports	Color	Dimensions WxDxH
	25 mm (1") connection	38 mm (1½") connection			
01-01-001	34.5 L/min (9.1 GPM)	45 L/min (11.9 GPM)	25 mm (1") and 38 mm (1½")	white	157 x 207 x 151 (25 mm connectors) 163 (38 mm connectors) mm
01-01-002				black	6.2 x 18.1 x 5.9 (1" connectors) 6.4 (1½" connectors) inches

*45 strokes / min



Premium Hand Pump Surface Mount

A sturdy, compact, surface mounted and no-nonsense hand bilge pump for installation in smaller pleasure boats for bilge pumping. Install where the pump can be readily accessed while operating the boat; such as in the cockpit, wheelhouse or on deck for power loss situations or installation on boats without electrical systems.

- Mounting bracket for vertical or horizontal surface mounting
- One-hand operation
- Securely fastened, ergonomic operating handle
- Self-priming with single-chamber diaphragm and flap valves in Nitrile rubber
- Pump housing and handle in Polypropylene, metal fittings in stainless steel
- Heavy duty non-choke valves
- Conforms to ISO 15083 Small Craft – Bilge Pump Systems

PN	Capacity* 3 ft head (1 m)	Ports	Dimensions WxDxH
01-01-003	0.5 Liter (0.13 US gal) per stroke	25 mm (1") hose	275 x 150 x 110 mm (10.8 x 5.9 x 4.3 inches)



Submersible Standard Bilge Pumps



Aerator / Livewell Pumps



Albinus' series of submersible Cartridge Bilge Pumps and Twinport Aerator Pumps that are designed with the latest technology in order to meet the requirements and standards for the marine industry. Sport fishing, water sports, cruising as well as commercial duties.

The series is based on the well-proven Albinus 12/24V motors for capacities 500 GPH, 750 GPH & 1100 GPH

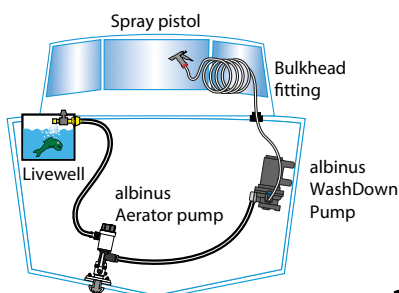
- Easy to install
- Detachable-port connections
- Straight and 90° elbow hose connections: 500 GPH & 750 GPH
- Easy to clean
- Replaceable Cartridge Motor
- Stainless steel shaft
- Tough Thermoplastic Housing
- Seawater resistant shaft seal
- Twinport Aerator pumps combine Livewell / Live bait aeration and washdown pump applications from a single intake

Cartridge Submersible Bilge Pump series

PN	Description	Capacity straight	Capacity 3ft - 0.9m	Amp	Fuse size	Connection	Dimensions W x L x H
01-02-002	Cartridge Bilge Pump 500 GPH 12V	500 GPH - 32l/min	400 GPH - 25l/min	1.8 A	5 A	3/4"	79x130x116.5 mm (3.1x5.1x4.6in)
01-02-003	Cartridge Bilge Pump 750 GPH 12V	750 GPH - 50l/min	660 GPH - 42l/min	2.7 A	5 A	3/4"	
01-02-004	Cartridge Bilge Pump 750 GPH 24V	750 GPH - 50l/min	660 GPH - 42l/min	1.5 A	5 A	3/4"	
01-02-005	Cartridge Bilge Pump 1100 GPH 12V	1100 GPH - 75l/min	1000 GPH - 65l/min	4 A	5 A	1 1/8" fixed	79x102x116.5 mm (3.1x4.0x4.6in)
01-02-006	Cartridge Bilge Pump 1100 GPH 24V	1100 GPH - 75l/min	1000 GPH - 65l/min	2.5 A	5 A	1 1/8" fixed	
01-02-007	Cartridge Bilge Pump Low 750 GPH 12V	750 GPH - 50l/min	660 GPH - 42l/min	2.7 A	5 A	3/4"	92x150x100 mm (3.6x5.1x3.9in)
01-02-008	Cartridge Bilge Pump Low 1100 GPH 12V	1100 GPH - 75l/min	1000 GPH - 65l/min	4 A	5 A	1 1/8" fixed	81x150x90 mm (3.2x5.1x3.5in)

Aerator & Aerator Twinport Pump series

PN	Description	Capacity straight	Capacity 3ft - 0.9m	Amp	Fuse size	Connection	Dimensions W x L x H
01-05-078	Twinport Aerator Pump 500 GPH 12V Angled	500 GPH - 32l/min	400 GPH - 25l/min	1.8 A	5 A	3/4"	64x180x190 mm (2.5x7.1x7.5in)
01-05-080	Twinport Aerator Pump 750 GPH 12V Angled	750 GPH - 50l/min	660 GPH - 42l/min	2.7 A	5 A	3/4"	
01-05-082	Twinport Aerator Pump 1100 GPH 24V Angled	1100 GPH - 75l/min	1000 GPH - 65l/min	4 A	5 A	1 1/8" fixed	
01-05-077	Aerator Pump 500 GPH 12V Straight	500 GPH - 32l/min	400 GPH - 25l/min	1.8 A	5 A	3/4"	64x123x228 mm (2.5x4.8x8.9in)
01-05-079	Aerator Pump 750 GPH 12V Straight	750 GPH - 50l/min	660 GPH - 42l/min	2.7 A	5 A	3/4"	
01-05-081	Aerator Pump 1100 GPH 12V Straight	1100 GPH - 75l/min	1000 GPH - 65l/min	4 A	5 A	1 1/8" fixed	64x97x228 mm (2.5x3.8x8.9in)
01-05-074	Twinport Aerator Pump 500 GPH 12V Short stack	500 GPH - 32l/min	400 GPH - 25l/min	1.8 A	5 A	3/4"	64x123x146 mm (2.5x4.8x5.7in)
01-05-075	Twinport Aerator Pump 750 GPH 12V Short stack	750 GPH - 50l/min	660 GPH - 42l/min	2.7 A	5 A	3/4"	
01-05-076	Twinport Aerator Pump 1100 GPH 12V Short stack	1100 GPH - 75l/min	1000 GPH - 65l/min	4 A	5 A	1 1/8" fixed	64x97x146 mm (2.5x3.8x5.7in)



Albin Group introduces a new generation of compact Electronic Automatic Bilge Pumps that are designed with the latest technology and electronics. The design concept is based on the Albin Group Cartridge Submersible Bilge Pump design; with automatic bilge water level control. This is a new feature for bilge pumps that has been requested from the Marine Industry, sport fishing, water sports, cruising, as well as for commercial duty. The new series is available in 12V with a capacities of 750 GPH and 1100 GPH.

- Compact Automatic Pump with no need for external float or electronic switch
 - Pump senses for water every 3 minutes
 - If water is present the pump will sense the resistance and empty the bilge and then switch off
 - Compact, ideal for tight spaces and trailer boat applications
 - Detachable port connections
 - Straight and 90° elbow hose connections:
- Easy to clean
 - Replaceable Cartridge Motor with sensor
 - Stainless steel shaft
 - Tough thermoplastic housing
 - Seawater resistant shaft seal

Cartridge Electronic Automatic Bilge Pump

PN	Description	Capacity straight	Capacity 3 ft - 0.9m	Amp	Fuse size	Connection	Dimensions W x L x H
01-04-021	Electronic Automatic Bilge Pump 750 GPH 12V	750 GPH - 50l/min	660 GPH - 42l/min	2.7 A	5 A	3/4"	79x130x116.5 mm (3.1x5.1x4.6 in)
01-04-023	Electronic Automatic Bilge Pump 1100 GPH 12V	1100 GPH - 75l/min	1000 GPH - 65l/min	4 A	5 A	1 1/8" fixed	79x102x116.5 mm (3.1x4.0x4.6 in)
01-04-009	Electronic Automatic Bilge Pump Low 750 GPH 12V	750 GPH - 50l/min	660 GPH - 42l/min	2.7 A	5 A	3/4"	92x150x100 mm (3.6x5.1x3.9 in)
01-04-010	Electronic Automatic Bilge Pump Low 1100 GPH 12V	1100 GPH - 75l/min	1000 GPH - 65l/min	4 A	5 A	1 1/8" fixed	81x150x90 mm (3.2x5.1x3.5 in)



Automatic Bilge Float Switch
PN 01-66-025



Digital Bilge Switch 12V/24V
PN 01-66-037

Submersible Automatic Bilge Pumps



Submersible Automatic Bilge Pumps

The Cartridge Combo Bilge Pumps are Albinus' series of submersible Cartridge Bilge Pumps with a pre-installed Digital Bilge Switch for fully automatic operation. The Digital Bilge Switch employs no moving parts. Safely remove bilge water, even when no one is onboard. Disruption of the produced electric field by the bilge water activates your bilge pump automatically and shuts down the pump when the water level sinks to acceptable level. Designed with the latest technology in order to meet the requirements and standards for the marine industry. Sport fishing, water sports, cruising as well as commercial duties.

The series is based on the well-proven Albinus 12/24V motors for capacities 500 GPH, 750 GPH & 1100 GPH

- Easy to install
- Detachable-port connections
- Straight and 90° elbow hose connections: 500 GPH & 750 GPH
- Easy to clean
- Replaceable Cartridge Motor
- Stainless steel shaft
- Tough Thermoplastic Housing
- Seawater resistant shaft seal
- No moving parts in the Digital Bilge Switch, fully sealed
- Field sensing technology
- Non-corroding polymer housing
- Unaffected by oil or floating debris in the bilge
- Delayed activation / deactivation to avoid false starts / stops due to sloshing in the bilge
- 30 second pump shut-down cycle to ensure water evacuation

Cartridge Combo Bilge Pump Digital series

PN	Description	Capacity straight	Capacity 3ft - 0.9m	Amp	Fuse size	Connection	Dimensions WxLxH
01-43-088	Cartridge Combo Bilge Pump 500 GPH Digital 12V	500 GPH - 32l/min	400 GPH - 25l/min	1.8 A	5 A	¾"	79x130x116.5 mm (3.1x5.1x4.6in)
01-43-089	Cartridge Combo Bilge Pump 750 GPH Digital 12V	750 GPH - 50l/min	660 GPH - 42l/min	2.7 A	5 A	¾"	
01-43-090	Cartridge Combo Bilge Pump 750 GPH Digital 24V	750 GPH - 50l/min	660 GPH - 42l/min	1.5 A	5 A	¾"	
01-43-091	Cartridge Combo Bilge Pump 1100 GPH Digital 12V	1100 GPH - 75l/min	1000 GPH - 65l/min	4 A	5 A	1 ½" fixed	79x102x116.5 mm (3.1x4.0x4.6in)
01-43-092	Cartridge Combo Bilge Pump 1100 GPH Digital 24V	1100 GPH - 75l/min	1000 GPH - 65l/min	2.5 A	5 A	1 ½" fixed	
01-43-093	Cartridge Combo Bilge Pump Low 750 GPH 12V	750 GPH - 50l/min	660 GPH - 42l/min	2.7 A	5 A	¾"	92x150x100 mm (3.6x5.1x3.9in)
01-43-094	Cartridge Combo Bilge Pump Low 1100 GPH 12V	1100 GPH - 75l/min	1000 GPH - 65l/min	4 A	5 A	1 ½" fixed	81x150x90 mm (3.2x5.1x3.5in)



Fully automatic with a built-in electrical level switch. Compact and easy to install. Stainless steel shaft, tough thermoplastic ABS housing and removable base plate with integrated strainer. Easy maintenance and low power consumption.

- Compact, all-in-one unit
- Integrated electrical level switch
- Detachable straight and elbow ports (500 GPH & 750 GPH), fixed straight port (1100 GPH)
- Automatic operation in harsh saltwater and freshwater use
- Mercury-free
- Easy hose assembly without risk of stress from overtightened hose clamps
- Universal base with removable clip-on base with integrated screen and detachable check valve
- Easy maintenance, no tools required
- 3-wire device for auto, manual or override mode
- Water-cooled motor for long service life, stainless steel shaft

Automatic Bilge Pump 500 GPH

PN	Capacity	Capacity 3 ft head (1 m)	Ports	Voltage	Fuse	Dimensions
01-04-015	500 GPH (32 L/min)	400 GPH (25 L/min)	Detachable 3/4" (19 mm) straight and elbow	12V	3 A	5.9x3x3.7 inches (151 x 78x95 mm)

Automatic Bilge Pump 750 GPH

PN	Capacity	Capacity 3 ft head (1 m)	Ports	Voltage	Fuse	Dimensions
01-04-016	750 GPH (50 L/min)	660 GPH (42 L/min)	Detachable 3/4" (19 mm) straight and elbow	12V	5 A	5.9x3x3.7 inches (151 x 78x95 mm)
01-04-017				24V	3 A	

Automatic Bilge Pump 1100 GPH

PN	Capacity	Capacity 3 ft head (1 m)	Ports	Voltage	Fuse	Dimensions
01-04-018	1100 GPH (75 L/min)	1000 GPH (65 L/min)	Fixed 1 1/8" (29 mm) straight	12V	6 A	5.9x3x3.7 inches (151 x 78x95 mm)
01-04-019				24V	3 A	

Submersible Automatic Bilge Pumps



Submersible Heavy Duty Bilge Pumps

Easily installed and robustly engineered for maximum lifetime. Submersible for harsh saltwater and freshwater use; featuring heavy duty motor with stainless steel shaft; mechanical shaft seal; durable high impact thermoplastic housing and universal base screen. Designed to be interchangeable with same type bilge pumps on the market.

- Submersible for harsh saltwater and freshwater use
- Liquid cooled for extended motor life
- Heavy duty, AISI 316 steel shaft, double ball bearing motor
- Quality engineered mechanical seal
- Manual operation; automatic operation with optional float switch (Albinus 01-66-025) or digital bilge switch (Albinus 01-66-037)
- Removable check valve included
- Complies with ISO 8848, EN 55014 Marine
- Universal base plate with strainer and pin (for "T-slot") to attach a level switch for automatic operation
- Designed to be interchangeable with similar type bilge pumps.



Bilge Pump Heavy Duty 1750 GPH recommended for boat lengths > 10m (33 feet)

PN	Capacity	Capacity 3 ft head (1 m)	Ports	Voltage	Fuse	Dimensions	Replaces
01-03-011	1750 GPH (110 L/min)	1350 GPH (85 L/min)	28mm (1 1/8") and 32mm (1 1/4")	12V	10 A	170x158x 130mm (6.7x6.2x 5.1 inches)	Rule 1500 Johnson Pump 16004-00 /32-1600-01
01-03-012				24V	6 A		Rule 1500 Johnson Pump 16084-00 /32-1600-02

Bilge Pump Heavy Duty 2250 GPH recommended for boat lengths > 12m (39 feet)

PN	Capacity	Capacity 3 ft head (1 m)	Ports	Voltage	Fuse	Dimensions	Replaces
01-03-013	2250 GPH (140 L/min)	1900 GPH (120 L/min)	28mm (1 1/8") and 32mm (1 1/4")	12V	16 A	170x158x 130mm (6.7x6.2x 5.1 inches)	Rule 2000 Johnson Pump 22004 /32-2200-01
01-03-014				24V	9 A		Rule 2000 Johnson Pump 22084 /32-2200-02



Automatic Bilge Float Switch
PN 01-66-025



Digital Bilge Switch 12V/24V
PN 01-66-037

Compliment your bilge pumps with switches for automatic operation; control panels for combined automatic and manual operation; monitoring systems; non-return valves and bypass connectors.

Automatic Bilge Float Switch

Automate your electric bilge pump simply and effectively with an Albinus Automatic Float Switch. Safely remove bilge water, even when no one is onboard. Mechanical arm floats up with rising water level in the bilge and completes the circuit, activating your bilge pump. As the water level lowers the arm lowers and deactivates the pump.

- Rated for 500,000 cycles
- Durable thermoplastic ABS housing
- Mercury-free operation
- For salt water and fresh water use only

PN	Service life	Voltage	Pump power draw	Dimensions
01-66-025	500,000 cycles	12V/24V/32V	Max. 14 A	110x70x50 high mm (4.3x2.8x2 inches)



Digital Bilge Switch 12V/24V

Fully automate your electric bilge pump with an Albinus Digital Bilge Switch that employs no moving parts. Safely remove bilge water, even when no one is onboard. Disruption of the produced electric field by the bilge water activates your bilge pump automatically and shuts down the pump when the water level sinks to acceptable level.

- No moving parts, fully sealed
- Field sensing technology
- Non-corroding polymer housing
- Unaffected by oil or floating debris in the bilge
- Delayed activation / deactivation to avoid false starts / stops due to sloshing in the bilge
- 30 second pump shut-down cycle to ensure water evacuation

PN	Voltage	Fuse	Power draw	Dimensions W x H x D
01-66-037	12V/24V	according to the recommended fuse of the pump used	< 20 μ A in standby	26x64x5 mm (1x2x0.2 inches)



Digital Bilge Switch T-slot 12V/24V

Albinus Digital Bilge Switch as above, but including T-slot clip mounting to hang the switch on the side of a pump equipped with universal T-pin. Safely remove bilge water, even when no one is onboard. Disruption of the produced electric field by the bilge water activates your bilge pump automatically and shuts down the pump when the water level sinks to acceptable level.

- T-slot clip mounting
- No moving parts, fully sealed
- Field sensing technology
- Non-corroding polymer housing
- Unaffected by oil or floating debris in the bilge
- Delayed activation / deactivation to avoid false starts / stops due to sloshing in the bilge
- 30 second pump shut-down cycle to ensure water evacuation

PN	Voltage	Fuse	Power draw	Dimensions W x H x D
01-69-038	12V/24V	according to the recommended fuse of the pump used	< 20 μ A in standby	26x64x5 mm (1x2x0.2 inches)





Bilge Pump Panel 3-way

Manage your bilge pump from the wheel house with the Albinus three-position Bilge Pump Panel. Manually activate and deactivate your electric bilge pump with the panel, or use the automatic setting in combination with Albinus' Automatic Bilge Float and Digital Bilge Switches or Automatic Submersible Bilge Pumps.

- Switch positions manual ON, OFF and Automatic
- Integrated operating light and fuse holder.

PN	Voltage	Fuse	Dimensions W x H
01-66-027	12V/24V	according to the recommended fuse of the pump used	100x61 mm (3.9x2.4 inches) (70 mm x 45 mm (2.8x1.8 inches) (W x H) hole in the mounting surface to accommodate the electronics)

Digital High Water Alarm

Fluid level sensor for marine applications. Electronic field sensing technology with digital accuracy automatically detects the bilge water level and at high levels sounds an audible and visual alarm on the panel.

- Easy installation
- No calibration required
- No moving parts and completely sealed for long-term durability
- Delayed activation/ deactivation to avoid false starts/ stops due to sloshing in the bilge
- Will not corrode in contact with salt water, fuel/ oil
- Not affected by foreign debris
- Robust against temperature and vibrations

PN	Voltage	Fuse	Included in the Kit	Dimensions W x H x D
01-69-042	12V/24V	1 A	<ul style="list-style-type: none"> • Display panel (1 LED + piezo alarm) with 6" (152mm) wire leads • Alarm sensor (screw-mounted) with 12" (305mm) wire leads • Fuse and fuse holder 	Sensor: 26x51 mm (1 x 2 inches) Panel: 76x56x35 mm (3x2.2x1.4 inches) 51x32 mm (2x1.25 inches) hole in the mounting surface to accommodate the electronics)

NOTE! Not for use with metal holding tanks or for monitoring fuel/oil levels



Bilge Boat Monitor System 12V / 24V

A complete monitoring system that provides you with real time data to your smartphone or your computer such as bilge water level alarm, battery status, positioning / tracking alarms if your boat is being moved. Can be used for fleet monitoring! Easy to install, suitable for virtually any floating vessel with 12/24V power onboard.

Reduce your insurance costs up to 20% by having an approved high-water alarm and positioning system installed onboard.

- SIM card that works with all international GSM communication standards with outstanding connectivity; optional use of your own SIM card (yearly subscription fee, or one-time administration fee for own SIM card)
- Latest technology and designed for marine use, robust and very compact
- Delayed activation / deactivation to avoid false alarms due to sloshing in the bilge
- Built-in battery allows the device to continue sending information over a period of time if the power is cut
- IPX6 water protected and withstands rough movements at sea
- Approved by international insurance companies
- CE and FCC certified

PN	Voltage	Fuse	Included in the Kit	Dimensions W x H x D
01-07-007	12V / 24V	Fused appropriately based on bilge pump system	<ul style="list-style-type: none"> • Monitor device • Digital waterlevel sensor • Electrical connectors • SIM card 	Device: 46x70x17.5 mm (1.8x2.8x0.7 inches) Sensor: 26x64x5 mm (1 x 2x0.2 inches)

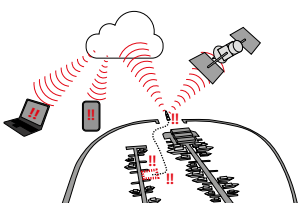
Boat Monitor System 12V / 24V

A boat monitoring system that provides you with real time data to your smartphone or your computer such as battery status, positioning / tracking alarms if your boat is being moved. Can be used for fleet monitoring! Easy to install, suitable for virtually any floating vessel with 12/24V power onboard.

Reduce your insurance costs by having an approved positioning system installed onboard.

- SIM card that works with all international GSM communication standards with outstanding connectivity; optional use of your own SIM card (yearly subscription fee, or one-time administration fee for own SIM card)
- Latest technology and designed for marine use, robust and very compact
- Built-in battery allows the device to continue sending information over a period of time if the power is cut
- IPX6 water protected and withstands rough movements at sea
- Approved by international insurance companies
- CE and FCC certified

PN	Voltage	Fuse	Included	Dimensions W x H x D
01-07-008	12V / 24V	5 A	<ul style="list-style-type: none"> • Monitor device • Electrical connectors • SIM card 	Device: 46x70x17.5 mm (1.8x2.8x0.7 inches)





By-Pass Connector

PN 01-91-047

By-Pass connection for Albinus Manual Bilge Pump PN 01-01-001 / -002, or bulk packed Albinus PN 01-31-045 / -046.

- Allows for connecting both the manual pump* in-line, using the same hose and connectors
- Reduces the overall cost of a complete bilge pump system by facilitating the installation and reducing the material needed

*Only to be used with submersible centrifugal type bilge pumps because the electric pump needs to act as strainer without blocking the water when operating the manual bilge pump

Non-Return Valve 25 mm (1"), 38 mm (1½")

PN 01-91-048

In-line Non-Return Valve for a safe and reliable pump system.

- Prevents water from returning when pumping out
- Provides extra safety when pumping water with debris or other waste with self priming diaphragm pumps

Bilge strainer with non-return valve

- Maintains water in the suction line for easy prime
- Prevent bilge debris blocking the pump or inlet suction line
- Horizontal and vertical flow
- Easy to maintain and clean

PN	Description	Connections
01-91-065	Bilge Strainer Vertical	25 / 38 mm (1" / 1½")
01-91-066	Bilge Strainer Horizontal	25 / 38 mm (1" / 1½")

Threaded Aerator Strainer Large Mesh ¾"-14

To be used for aeration with aerator pump in live bait tanks.

PN	Description	Connections
01-65-087	Threaded Aerator Strainer Large Mesh	¾"

¾" Barbed 90 Degree Adjustable Aerator Head ON/OFF

To be used for aeration with aerator pump in live bait tanks.

PN	Description	Connections
01-65-088	Threaded Aerator Strainer Large Mesh	¾"



Outlet Port HD Bilge 25mm (1") Bulk 10pcs

PN	Description
01-63-015	Outlet port straight 25 mm (1"), for Submersible Heavy Duty Bilge Pumps, bulk pack, 10 pcs



Outlet Port HD Bilge 28,6mm (1.1/8")

PN	Description
01-63-016	Outlet port straight 28.6 mm (1 1/8"), for Submersible Heavy Duty Bilge Pumps



Inlet port 90 deg. 25 mm (1")

PN	Description
01-91-050	Inlet port 90° 25 mm (1"), for Manual Bilge Pump Flush Mount: PN 01-01-001, 01-01-002



Inlet port 90 deg. 38 mm (1.1/2")

PN	Description
01-91-052	Inlet port 90° 38 mm (1 1/2"), for Manual Bilge Pump Flush Mount: PN 01-01-001, 01-01-002



Outlet port 90 deg. 25 mm (1")

PN	Description
01-91-054	Outlet port 90° 25 mm (1"), for Manual Bilge Pump Flush Mount: PN 01-01-001, 01-01-002



Outlet port 90 deg. 38 mm (1.1/2")

PN	Description
01-91-056	Outlet port 90° 38 mm (1 1/2"), for Manual Bilge Pump Flush Mount: PN 01-01-001, 01-01-002



Spare Parts



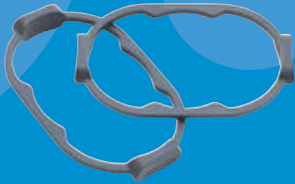
Inlet valve for PN 01-01-001 / 002

PN	Description
01-91-059	Inlet valve, for Manual Bilge Pump Flush Mount: PN 01-01-001, 01-01-002



Outlet valve for PN 01-01-001 / 002

PN	Description
01-91-060	Outlet valve, for Manual Bilge Pump Flush Mount: PN 01-01-001, 01-01-002



Fastening clips for PN 01-01-001 / 002

PN	Description
01-91-061	Fastening clips, for Manual Bilge Pump Flush Mount: PN 01-01-001, 01-01-002



Front-handle for PN 01-01-001 / 002

PN	Description
01-91-063	Front handle, for Manual Bilge Pump Flush Mount: PN 01-01-001



Replacement Motor Cartridge for Cartridge, Cartridge Combo Bilge Pumps and Twinport Aerator Pumps (not for Electronic Automatic Cartridge Bilge Pumps)

- Quickly and easily replace and / or upgrade to higher capacity motor
- Available for 12/24V and capacities 500 GPH, 750 GPH & 1100 GPH

PN	Description
01-92-083	Replacement Cartridge Motor 500 GPH 12V
01-92-084	Replacement Cartridge Motor 750 GPH 12V
01-92-085	Replacement Cartridge Motor 750 GPH 24V
01-92-086	Replacement Cartridge Motor 1100 GPH 12V
01-92-087	Replacement Cartridge Motor 1100 GPH 24V



T Slot Clip Digital Bilge Switch

PN	Description
01-99-036	Clip for easily attaching an Albinus digital bilge switch to a bilge pump with T-slot hardware



02_Water Pressure Systems

Water Pressure Systems for providing pressurized water on demand. Our WPS 300 series and 500-premium series pumps supply continuous, pulsation-free, pressurized flow of both hot and cold water to faucets, shower heads and more. Choose between the 3- and 5- chamber diaphragm pumps, depending on required flow rates and number of faucets to be served. Also available in wash down configuration with pressures up to 5 bar (70psi).

Water Pressure Systems

Albinus WPS300-series 3-chamber and WPS500-Premium Series 5-chamber diaphragm Water Pressure System pumps for providing pressurized water on demand! Our WPS pumps supply continuous, pulsation-free, pressurized flow of both hot and cold water to faucets, shower heads and more. Choose between the 3- and 5-chamber diaphragm pumps, depending on required flow rates and number of faucets to be served.

- Easy to install
- Integrated extra heavy duty sealed pressure switch
- Smooth & Pulsation-free flow
- Quiet operation
- Serves multiple outlets
- Self-priming 2 m (6.5 feet); WPS 5.3 – 2.5 m (8.2 ft)
- Quick disconnect ports
- Connection with ½" hose (also ¾" 500-Premium Series)
- Click-on 40 µm-mesh strainer included
- Composite base mount for even quieter operation
- Manufactured according to CE standard; EN55014-1, ISO 88461 & ISO10133. Under approval



WPS300-Series 3-Chamber Standard Water Pressure Pumps

WPS 2.6

PN	Description	Capacity	No. of outlets	Pressure cutoff	Voltage	Fuse size	Quick Connection	Dimensions
02-01-003	WPS 2.6 12V	9.8 L/min (2.6 GPM)	1 to 3	2.8 bar (41 psi)	12V	10 A	½" hose	205 x 219 x 110 mm (8.1 x 8.6 x 4.3 inches)

WPS 3.5

PN	Description	Capacity	No. of outlets	Pressure cutoff	Voltage	Fuse size	Quick Connection	Dimensions
02-01-004	WPS 3.5 12V	13 L/min (3.5 GPM)	1 to 3	2.8 bar (41 psi)	12V	10 A	½" hose	205 x 219 x 110 mm (8.1 x 8.6 x 4.3 inches)
02-01-005	WPS 3.5 24V				24V	5 A		

WPS500-Premium Series 5-Chamber High Capacity Water Pressure Pumps

WPS 4.0

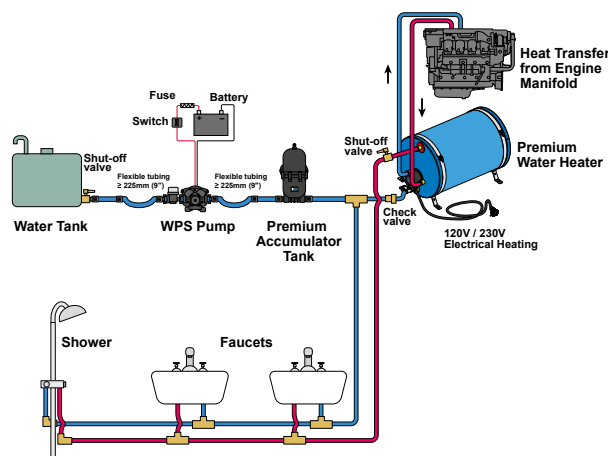
PN	Description	Capacity	No. of outlets	Pressure cutoff	Voltage	Fuse size	Quick Connection	Dimensions
02-02-006	WPS 4.0 12V	15 L/min (4.0 GPM)	1 to 5	2.8 bar (41 psi)	12V	10 A	½" and ¾" hose	215 x 224 x 112 mm (8.4 x 8.8 x 4.4 inches)
02-02-007	WPS 4.0 24V				24V	5 A		

For WPS systems: install the WPS pump together with acc. Tank 02-66-022

WPS 5.3

PN	Description	Capacity	No. of outlets	Pressure cutoff	Voltage	Fuse size	Quick Connection	Dimensions
02-02-008	WPS 5.3 12V	20 L/min (5.3 GPM)	1 to 6	2.8 bar (41 psi)	12V	15 A	½" and ¾" hose	215 x 224 x 112 mm (8.4 x 8.8 x 4.4 inches)
02-02-009	WPS 5.3 24V				24V	8 A		

For WPS systems: install the WPS pump together with acc. Tank 02-66-022



Universal WPS Kits

Albinus Universal WPS Kits are pre-assembled for easy installation – wall or foot mounting – in one unit. Including the latest technology in water pressure pumps with our patented pulsation dampering accumulator tank, more silent and reliable.

WPS300-series 3-chamber or WPS500-Premium Series 5-chamber diaphragm Water Pressure System pumps are integrated with our corrosion-free, patented accumulator tank for providing smooth-flowing, pressurized water on demand! Our WPS pumps supply continuous, pulsation-free, pressurized flow of both hot and cold water to faucets, shower heads and more. Choose between the 3- and 5-chamber diaphragm pumps, depending on required flow rates and number of faucets to be served.

- Easy to install
- Integrated extra heavy duty sealed pressure switch
- Smooth & Pulsation-free flow
- Quiet operation
- Serves multiple outlets
- Self-priming 2 m (6.5 feet); WPS 5.3 – 2.5 m (8.2 ft)
- Quick disconnect ports
- Connection with ½" hose (also ¾" 500-Premium Series)
- Click-on 40 µm-mesh strainer included
- Pre-assembled on stainless steel mounting plate
- Manufactured according to CE standard; EN55014-1, ISO 88461 & ISO10133. Under approval

WPS300-Series 3-Chamber Standard Water Pressure Pumps

Universal Kit WPS 3.5

PN	Description	Capacity	No. of outlets	Pressure cutoff	Voltage	Fuse size	Quick Connection	Dimensions
02-03-010	mounted WPS 3.5 12V + Premium Accumulator Tank 0.85 L (0.22 gal)	13 L/min (3.5 GPM)	1 to 3	2.8 bar (41 psi)	12V	10 A	½" hose	242x290x167 mm (9.5x11.4x6.6 inches)
02-03-011	mounted WPS 3.5 24V + Premium Accumulator Tank 0.85 L (0.22 gal)				24V	5 A		



WPS500-Premium Series 5-Chamber High Capacity Water Pressure Pumps

Universal Kit WPS 5.3

PN	Description	Capacity	No. of outlets	Pressure cutoff	Voltage	Fuse size	Quick Connection	Dimensions
02-03-012	mounted WPS 5.3 12V + Premium Accumulator Tank 0.85 L (0.22 gal)	20 L/min (5.3 GPM)	1 to 6	2.8 bar (41 psi)	12V	15 A	½" and ¾" hose	242x290x167 mm (9.5x11.4x6.6 inches)
02-03-013	mounted WPS 5.3 24V + Premium Accumulator Tank 0.85 L (0.22 gal)				24V	8 A		



Wash Down

Albinus WD300-Premium Series 3-chamber and WD500-Premium Series 5-chamber diaphragm Wash Down pumps for providing pressurized water on demand! Attach a spray nozzle for efficient deckwash or wash down duties!

- Easy to install
- Integrated extra heavy duty sealed pressure switch
- Smooth & Pulsation-free flow
- Quiet operation
- Self-priming WD 3.4 – 2 m (6.5 feet); WD 5.2 – 2.5 m (8.2 ft)
- Quick disconnect ports
- Connection with ½" hose
- Click-on 40 µm-mesh strainer included
- Composite base mount for even quieter operation (WD 3.4)
- Manufactured according to CE standard; EN55014-1, ISO 88461 & ISO10133. Under approval



WD300-Premium Series 3-Chamber Wash Down Pumps

WD 3.4

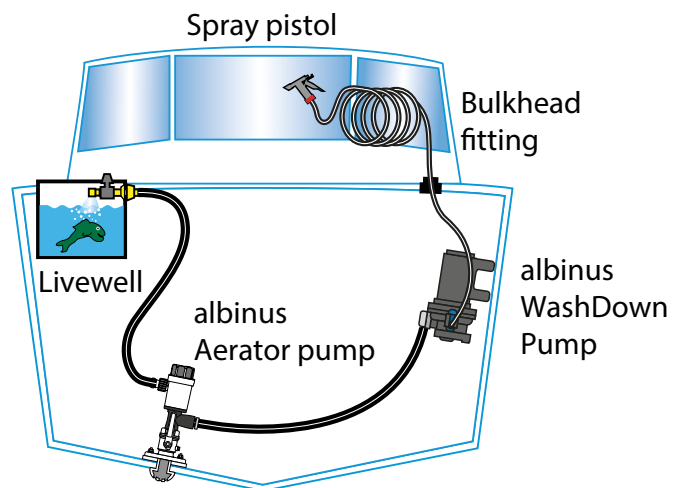
PN	Description	Capacity	Pressure cutoff	Voltage	Fuse size	Quick Connection	Dimensions
02-04-014	WD 3.4 12V	12.9 L/min (3.4 GPM)	5 bar (70 psi)	12V	15 A	½" hose	245x219x105 mm (9.6x8.6x4.1 inches)



WD500-Premium Series 5-Chamber Wash Down Pumps

WD 5.2

PN	Description	Capacity	Pressure cutoff	Voltage	Fuse size	Quick Connection	Dimensions
02-04-015	WD 5.2 12V	20 L/min (5.2 GPM)	5 bar (70 psi)	12V	20 A	½" hose	215x224x112 mm (8.5x8.8x4.4 inches)
02-04-016	WD 5.2 24V			24V	10 A		



Compliment your pressurized water system with a pulsation dampening accumulator tank and keep debris from damaging your water pressure pumps with an inlet strainer.

Premium Accumulator Tank

Accumulator and pulsation dampening tank for water pressure systems. Premium solution for a maximum smoothness of flow system. New, patent pending design for fully realizing the dampening of vibrations / water hammering often experienced in the pipe work of water pressure systems.

- Corrosion free
- Patent pending.

PN	Capacity	Dimensions	Connections
02-66-022	0.85 L (0.22 gal)	125 x 125 x 230 mm (5 x 5 x 9 inches)	½" hose or ¾" female thread

WPS/WD Inlet Strainer 40 µm Mesh

Protect your pump to ensure long service life and optimal performance. Inlet strainer 40 µm-mesh with universal quick connect for WPS/ WD pump inlets.

- Easily removable cover for regular maintenance

PN	Strainer mesh	Connections
02-99-023	40 µm	Quick connections for Albinus WPS/WD pumps

Hose Coiled 7.5 m (25 ft)

Coiled hose for wash down puposes.

- Fits Albinus PN 02-65-033 / 035 (Through Deck Threaded Hose Connector / Heavy Duty SS Through Deck Threaded Hose Connector)

PN	Length	Connections
02-65-029	7.5 m (25 ft)	Threaded ½" male and female connections

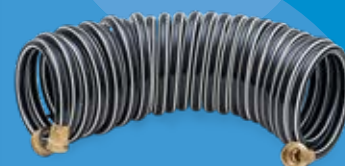
Expandable Hose 15 m (50 ft)

Expandable hose for wash down puposes.

- Fits Albinus PN 02-65-033 / 035 (Through Deck Threaded Hose Connector / Heavy Duty SS Through Deck Threaded Hose Connector)

PN	Length	Connections
02-65-031	15 m (50 ft) expanded	Threaded ½" male and female connections

Accessories / Spare Parts



Accessories / Spare Parts



Through Deck Threaded Hose Connector ON/OFF

Threaded bulk head fitting, through deck connector for wash down purposes.

- Fits Albinus PN 02-65-029/031 (Hose Coiled 7.5 m/Expandable Hose 15 m)

PN	Connections
02-65-033	Threaded ½" male connection

Heavy Duty SS Through Deck Hose Connector

Bulk Head professional stainless steel through deck fitting for wash down pumps.

- Fits Albinus PN 02-65-029/031 (Hose Coiled 7.5 m/Expandable Hose 15 m)

PN	Connections
02-65-035	Quick connect handle connector threaded ½" and automatic check valve shut off

Wash Down Pump Panel 2-way 12/24V

Remotely operate your wash down pump from Albinus' two- positions switch wash down pump control panel 12/24V.

- Switch positions ON and OFF
- Integrated fuse holder, fuse and operating light

PN	Voltage	Fuse	Dimensions W x H
02-69-032	12V/24V	according to the recommended fuse of the pump used	100x61 mm (3.9x2.4 inches) (70 mm x 45 mm (2.8x1.8 inches) (W x H) hole in the mounting surface to accommodate the electronics)

Trigger Action Spray Nozzle

Professional heavy-duty, jet spray pistol handles water flow change by a pressure sensitive handle. Orange lock nut can be rotated 90 degrees to lock any water pattern in place for a continuous spray and releases with a single touch.

- Made of UV-stabilized and weatherproof ABS plastic
- Quick-click® hose adapter with water-stop feature for automatic water shut-off
- Pressure sensitive handle with locking back trigger

PN	Material	Connection	Dimensions W x H x D
02-95-025	UV-stabilized and weatherproof ABS plastic	Female Quick-click® hose adaptor with water-stop	137x165x31 mm (5.4x6.5x1.2 inches)

Multi Functional Spray Nozzle

Trigger action spray nozzle, hand held spray gun, for multi purposes such as showering, watering as well as wash down. Fits coiled and expandable hose PN 02-65-029, 02-65-031.

PN	Material	Connection
02-95-029	UV-stabilized and weatherproof ABS plastic	Female Quick-click® hose adaptor with water-stop

Female Automatic Coupling ½"

Hose connector suitable for connecting 13mm (1/2") garden hose pipes to accessories and components with a male quick click connector. The coupling features a female quick click connection for easy attachment to a male quick click connection.

PN	Material	Connection
02-95-026	UV-stabilized and weatherproof ABS plastic	Female Quick-click® fits ½" (13 mm) hose

Female Water Stop Hose End Connector

Female hose end connector with shut off that converts twist-on threaded connections to a quick-click system. Water flow automatically shuts off when nozzle is removed. Interchangeable with most quick connector systems.

PN	Material	Connection	Dimensions W x H x D
02-95-027	UV-stabilized and weatherproof ABS plastic	Female Quick-click® hose adaptor with water-stop	33 x 48 x 33 mm (1.3 x 1.9 x 1.3 inches)



Quick-Click® Threaded Faucet Connector-Male Adapter

Male faucet adapter that easily threads onto your outdoor faucet for a convenient use of the quick-click system. Interchangeable with most quick connector systems makes changing hoses and accessories quick and easy.

- Easily threads onto outdoor faucet
- Interchangeable with most quick connector systems
- Allows use with quick-click® system

PN	Material	Connection	Dimensions W x H x D
02-95-028	UV-stabilized and weatherproof ABS plastic	Male Quick-click® faucet adaptor	33 x 38 x 33 mm (1.3 x 1.5 x 1.3 inches)



KLICKIN quick connectors for common hose sizes and configurations make it possible to completely remove the entire component for cleaning at any time. Simplify the draining of the system quickly for effortless winterizing without the use of any tools.

KLICKIN Port Connectors Hose 1/2"

PN	Connection	Configuration	Color
02-99-035	1/2" hose	Straight	black
02-99-036		Elbow	



KLICKIN Port Connectors Hose 3/4"

PN	Connection	Configuration	Color
02-99-037	3/4" hose	Straight	black
02-99-038		Elbow	



KLICKIN Port Connectors Tube 15 mm

PN	Connection	Configuration	Color
02-99-043	15 mm tube	Straight	black
02-99-044		Elbow	



KLICKIN Port Connectors Tube 5/8"

PN	Connection	Configuration	Color
02-99-045	5/8" tube	Straight	white
02-99-046		Elbow	





03_Waste Water Systems

Pumps and systems including everything needed for for trouble free waste water management onboard. Demanding product specifications to provide extra comfort and to avoid waste water handling problems. High capacity macerator pump shreds the waste before pumping out, diaphragm pumps in different configurations provide a safe year on year grey and black water transport.

Waste Water Diaphragm Pumps	25
Macerator Pump	26
Complete Waste Water Tank Kits.....	27
Accessories	28
Spare Parts	29

Single chamber, self priming, diaphragm pumps for grey or bilge water.

- Shower drain, transfer or pump out
- Flexible installation with 360 degree rotational ports
- Quiet operation
- Low power consumption
- Operates with no need for filter
- Can run dry without to damage the pump

Waste Water Diaphragm Pumps

Waste Water Diaphragm Pump 22 L

PN	Type	Capacity	Voltage	Fuse size	Connections	Dimensions LxWxH	Interchangeable with
03-01-001	Bilge / Grey water; shower drain, transfer or pump out; self-priming up to 2.5 m (8 ft)	22 L / min (5.8 GPM)	12V	4.5 A	19 mm (¾") and 25 mm (1") straight connectors	305 x 195 x 125 mm (12 x 6.5 x 4.9 in)	Johnson Pump 10-13350-03, Jabsco 50880-1000, Whale Gulper 220-12V
03-01-002			24V	2.5 A			Johnson Pump 10-13350-04, Jabsco 50880-1100, Whale Gulper 220-24V



Waste Water Diaphragm Pump 32 L

PN	Type	Capacity	Voltage	Fuse size	Connections	Dimensions LxWxH	Interchangeable with
03-01-003	Waste water, Black Water transfer or pump out; self-priming up to 2.5 m (8 ft)	32 L / min (8.5 GPM)	12V	6 A	38mm (1½") straight and 90° rotational connectors	355 x 195 x 125 mm (14 x 6.5 x 4.9 in)	Johnson Pump 10-13373-03, Jabsco 50890-1000, Whale Gulper 320-12V
03-01-004			24V	3 A			Johnson Pump 10-13373-04, Jabsco 50890-1100, Whale Gulper 320-24V



Waste Water Diaphragm Pump Vacuum 28 L

PN	Type	Capacity	Voltage	Fuse size	Connections	Dimensions LxWxH	Interchangeable with
03-01-029	Waste water, Black Water/Bilge transfer or pump out; self-priming up to 3 m (10 ft)	28 L / min (7.4 GPM)	12V	6 A	38mm (1½") straight and 90° rotational connectors	355 x 195 x 125 mm (14 x 6.5 x 4.9 in)	Johnson Pump 10-13373-07
03-01-030			24V	3 A			Johnson Pump 10-13373-08



Compact Waste Water Diaphragm Pump 22 L

PN	Type	Capacity	Voltage	Fuse size	Connections	Dimensions LxWxH
03-01-015	Compact design Bilge / Grey water; shower drain, transfer or pump out; self-priming up to 2.5 m (8 ft)	22 L / min (5.8 GPM)	12V	4.5 A	19 mm (¾") and 25 mm (1") straight connectors	190 x 245 x 125 mm (7.5 x 9.6 x 4.9 in)
03-01-016			24V	2.5 A		



Macerator Pump

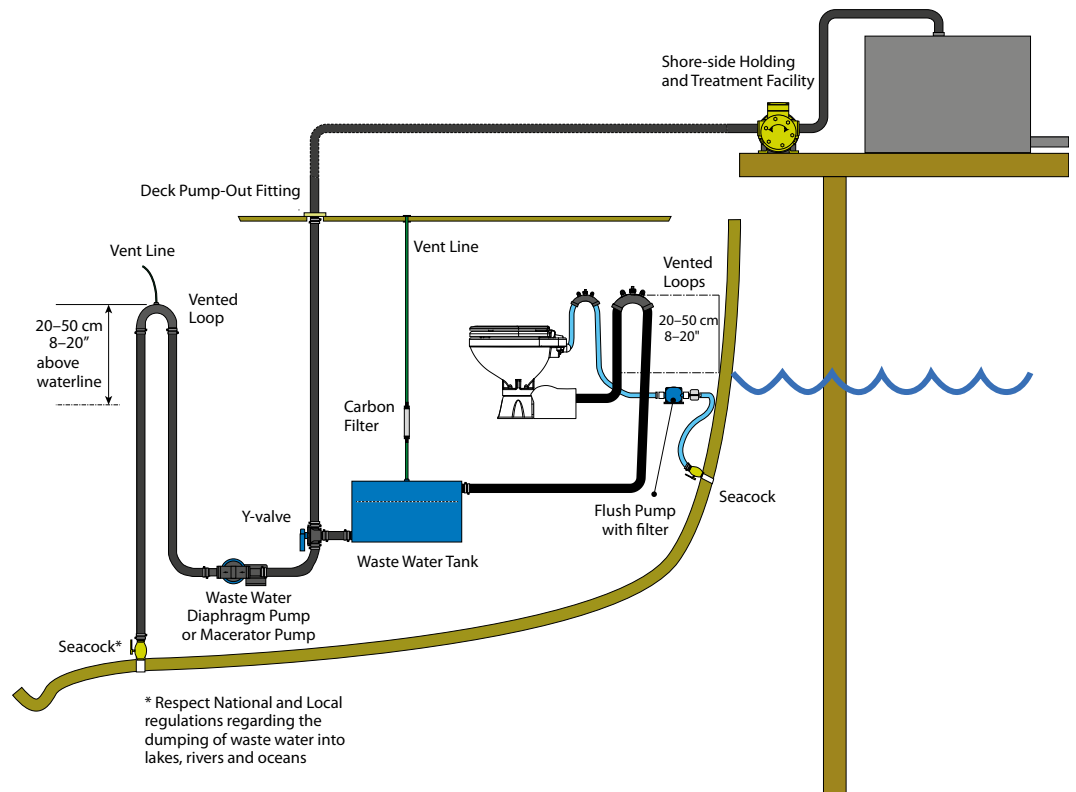


The Albinus Macerator Pump is equipped with a rotary cutter for shredding toilet waste – directly from the marine toilet or septic holding tank – and a high capacity, self-priming impeller pump for discharging toilet waste water.

- Shred toilet waste before pumping into septic holding tank or when emptying the septic tank at a dockside facility
- Shredded toilet waste is easily pumped through a 25 mm (1") discharge hose
- Self-priming ability allows the pump to be located above the holding tank. For best efficiency, locate the pump as close to the holding tank as possible.
- For intermittent use only; do not run for more than 15 minutes at a time. Approximately 1 to 2.5 minutes operation will empty holding tanks from 30 L (8 gal) to 100 L (26 gal) tank.
- Must not be permitted to run dry for more than 30 seconds
- Replacement Impeller Albinus part number 06-01-009

Macerator Pump 43 L

PN	Type	Capacity	Voltage	Fuse size	Connections	Dimensions	Interchangeable with
03-01-005	Bilge / Grey water; shower drain, transfer or pump out;	43 L / min (11.5 GPM)	12V	12 A	Inlet port: 1½" hose (38 mm) or 1½" BSP Outlet port: 1" hose (25 mm)	240 x 130 x 90 mm (9.5 x 5.1 x 3.5 inches)	Johnson Pump 10-24453-04 Jabco 18590-2092
03-01-006	transfer or pump out; self-priming up to 2.5 m (8 ft)		24V	7 A			Johnson Pump 10-24453-05 Jabco 18590-2094



Albinus offers two sizes of Black Water tank kits; complete with either a Waste Water Diaphragm Pump or a Macerator Pump, ready for easy installation!

- 47 L (12.5 gal) or 72 L (19 gal) rectangular tanks of linear, low density polyethylene, which is the best suited material for holding tanks because of resistance to corrosion and odor permeation.
- 32 L Waste Water Diaphragm Pump or Macerator Pump 43 L
- Included gas vent, active carbon filter, control panel and probe for level control.

Complete Waste Water Tank Kits

47 L Waste Water Tank CPL Diaphragm

PN	Pump Type	Capacity	Voltage	Included in Kit	Dimensions L x H x W	Weight
03-02-007	32L Diaphragm Pump	47 L (12.5 gal)	12V	gas vent, active carbon filter, control panel and probe for level control	480 x 330 x 400 mm (19 x 13 x 15.75 in)	19 Kg (42 lbs)



72 L Waste Water Tank CPL Diaphragm

PN	Pump Type	Capacity	Voltage	Included in Kit	Dimensions L x H x W	Weight
03-02-008	32L Diaphragm Pump	72 L (19 gal)	12V	gas vent, active carbon filter, control panel and probe for level control	700 x 300 x 400 mm (27.5 x 11.8 x 15.75 in)	20 Kg (44 lbs)



47 L Waste Water Tank CPL Macerator

PN	Pump Type	Capacity	Voltage	Included in Kit	Dimensions L x H x W	Weight
03-02-009	Macerator 43 L Pump	47 L (12.5 gal)	12V	gas vent, active carbon filter, control panel and probe for level control	480 x 330 x 400 mm (19 x 13 x 15.75 in)	24 Kg (52 lbs)
03-02-027			24V			



72 L Waste Water Tank CPL Macerator

PN	Pump Type	Capacity	Voltage	Included in Kit	Dimensions L x H x W	Weight
03-02-010	Macerator 43 L Pump	72 L (19 gal)	12V	gas vent, active carbon filter, control panel and probe for level control	700 x 300 x 400 mm (27.5 x 11.8 x 15.75 in)	25 Kg (55 lbs)
03-02-028			24V			



Sensing Shower Sump 12V

Multi-port Shower Sump with Electronic Automatic Bilge Pump that, without the need for an external float or digital switch, automatically senses the presence of water; switching on the pump and automatically switching the pump off when the water is emptied.

- Multiple inlet ports: 3/4", 1/2" or 1", 1 1/8" or 1 1/2"; able to handle more than one tapping point
- Outlet port 3/4"

PN	Pump Type	Capacity	Voltage	Included in Kit	Dimensions L x H x W	Weight
03-03-013	750GPH 12V Electronic Automatic	50L/min 750GPH	12V	multi-port shower sump with cover and mesh cage, 750GPH Electronic Automatic Bilge Pump	334 x 112 x 215 mm 13 x 4.4 x 8.5 in	1.2Kg (2.6 lbs)



Complement your Waste Water System with Albinus Active Carbon Filters and waste tank Level Monitoring equipment.

Active Carbon Filter

To facilitate the dispersal of gases built up in the waste tank and the ease of emptying, the tank must be ventilated. The Active Carbon Filter will absorb heavier-than-air gases associated with organic waste and eliminate a source of malodor from the vent at the exterior of the boat.

- Adjustable ports

PN	Port sizes	Weight
03-66-011	16 – 19 – 25 mm (5/8 – 3/4 – 1 in) adjustable ports	0.15 Kg (0.25 lbs)

Tank Level Indicator Kit 12/24V

Level indication panel and tank probes in stainless steel for waste water tank.

- 3 scale LED to indicate when tank is almost full and full.
- Both probe holder and panel have VDO connections

PN	Voltage	Included in Kit
03-66-012	12V/24V	indicator panel, stainless steel probes and wiring

Digital Tank Level Monitor Kit 12/24V

12/24V Digital fluid level sensor for plastic holding tanks on marine, RV and agricultural applications.

- Sensor monitors the liquid level from the outside of the tank
- Can be wired for detecting either low liquid level or high liquid level
- Sensor can be wired to the LED indicator panel, audio buzzer or relay to remote signaling device.
- Time delay on activation and deactivation to counter false signals due to sloshing of the liquid in the tank

PN	Voltage	Included in Kit
03-69-017	12V/24V	305 mm (12") wire leads, display panel 12/24V with LED indicator light 12/24V, fuses and fuse holder.

See also [07_Marine Toilets](#) for Albinus' selection of Vented loops and Y-valves!



Level Indicator Probes

PN	Description
03-99-014	Replacement stainless steel level indicator probes for albinus PN 03-66-012



Valve Kit for Diaphragm Pump Vacuum

PN	Description
03-91-031	Replacement valve kit in silicon material, containing 4 pcs, for Waste Water Diaphragm Pump Vacuum 28L



Valve Kit for Diaphragm Pump

PN	Description
03-91-032	Replacement valve kit in NBR material, containing 2 pcs, for Waste Water Diaphragm Pump 32L, as well as 22L and Compact 22 L





04_General Purpose Pumps

General Purpose pumps can manage a wide variety of pumping needs onboard. The flexible impeller pump (FIP) range is ideally used for dockside services as fuelling, oil change, and transfer of various liquids or ballast pumping. Gear pumps are suitable for viscous liquids like oil, diesel or antifreeze. Self-priming and can run dry. Designed to be interchangeable with same type pumps from competitor brands. 2 years limited warranty

- DC Impeller and Ballast Pumps31
- Gear Pumps32
- Accessories33



DC Impeller Pumps

Albinus FIP DC Pumps are self-priming with reversible flow direction – ideal for dockside services such as bilge and deckwash pumps, refueling pumps for diesel and oils as well as for fresh water and ballast pumping.

- Rugged Flexible Impeller General Purpose Pumps in Thermo polymer or brass bodies, stainless steel shafts and Premium oil-resistant impeller
- Self priming up to 3 meter – 9.8 ft.
- Reversible flow by simply changing the polarity
- Small bilge debris present no problems for APM FIP DC Pumps.
- Flexible impeller pumps must not be permitted to run dry for more than 30 seconds
- Keep your FIP pumps running optimally by inspecting the Nitrile impeller before each season and, if necessary, replace with Albinus replacement Impeller part number 06-01-009

FIP F2

PN	Capacity	Voltage	Fuse size	Connections	Dimensions	Interchangeable with
04-01-001	30 L/min (8 GPM)	12V	8 A	19 mm (¾") hose	160x120x90 mm (6.3x4.7x3.5 inches)	Johnson Pump 10-24886-01 Jabsco 23670-4003
04-01-002		24V	4 A			Johnson Pump 10-24886-02 Jabsco 23671-4103

FIP F3

PN	Capacity	Voltage	Fuse size	Connections	Dimensions	Interchangeable with
04-01-003	35 L/min (9.3 GPM)	12V	8 A	19 mm (¾") hose	160x120x90 mm (6.3x4.7x3.5 inches)	Johnson Pump 10-24516-01 Jabsco 23680-4003
04-01-004		24V	4 A			Johnson Pump 10-24516-02 Jabsco 23680-4103

FIP F4

PN	Capacity	Voltage	Fuse size	Connections	Dimensions	Interchangeable with
04-01-005	45 L/min (12 GPM)	12V	12.5 A	19 mm (¾") hose- ½" BSP	180x120x90 mm (7x4.7x3.5 inches)	Johnson Pump 10-24689-01 Jabsco 23610-3003
04-01-006		24V	6 A			Johnson Pump 10-24689-02 Jabsco 23610-3103

Ballast Pump F4

Albinus' DC Ballast Pump FIP F4 have reversible flow direction and are self-priming – making them ideal for fast ballast pumping for wake boarding and other water sports. Can handle fresh or sea water.

- Reversible flow with polarity reversing switch
- Ignition protection of surrounding flammable gases, ISO 8846
- Pump body in brass, stainless steel shaft, ballast MC19 impeller and PTFE seal
- Keep your FIP pumps running optimally by inspecting the ballast impeller before each season and, if necessary, replace with Albinus replacement Impeller part number 06-04-036

PN	Capacity	Voltage	Fuse size	Connections	Dimensions	Interchangeable with
04-04-013	12 GPM (45 L/min)	12V	16 A (25 A with reversing switch)	19 mm (¾") hose- ½" BSP	180x120x90 mm (7x4.7x3.5 inches)	Johnson Pump 10-24689-01 Jabsco 23610-3003
04-04-014		24V	15 A (15 A with reversing switch)			Johnson Pump 10-24689-02 Jabsco 23610-3103



Premium Ballast Impeller 06-04-036

Gear Pumps



Gear Pumps

Light and compact DC gear pump suitable for transfer of oil, diesel, antifreeze, water and other viscous liquids.

- Self-priming
- Reversible
- Rated for continuous duty
- Can be run dry
- Pump body in PTFE

PN	Capacity	Voltage	Fuse size	Connections	Dimensions
04-02-007	12 L/min (3.2 GPH) @ engine oil temp 40° C / 105° F	12V	6 A	14 mm (½") hose	140 x 90 x 80 mm (5.5 x 3.5 x 3.2 inches)
04-02-008		24V	3 A		

Gear Pump Oil Change Kits

Light and compact DC gear pump particularly suitable for oil change or removal/change of other viscous liquids in tight spaces.

- Hose set (6 mm and 8 mm), hose connection, wires 1.8 m (6 ft), fuse and battery clamps included
- Self-priming
- Reversible for both filling and emptying
- Rated for continuous duty
- Can be run dry
- Pump body in PTFE

PN	Capacity	Voltage	Fuse size	Connections	Dimensions
04-03-009	12 L/min (3.2 GPH) @ engine oil temp 40° C / 105° F	12V	6 A	Inlet: Quick connections for the oil dip tube 6 or 8 mm	140 x 90 x 80 mm (5.5 x 3.5 x 3.2 inches)
04-03-010		24V	3 A	Outlet: 14 mm (½") hose	

Complement your General Purpose Pumps with Albinus Oil Change Hose Kit.

Oil Change Hose Kit

Hose kit, suitable for FIP and Gear Pumps, oil change or any other pump in/out purpose.

- 6 mm and 8 mm with hose connections

PN	Connections
04-66-015	6 mm and 8 mm

Accessories





05_Self-Priming FIP Pumps

Albinus flexible impeller pumps are designed to handle most commercial and pleasure boats needs for raw water applications. The self-priming ability makes FIP pumps being the right choice for engine cooling, bilge pumping and deck wash. The pumps have a long life due to the heavy duty design and ensure correct cooling flow with Albinus premium Impellers.

- Engine Cooling Pumps35
 - Volvo Penta Engines, Cooling Pumps.....35
 - Volvo Penta Engines, High Speed Cooling Pumps37
 - Crankshaft Engines, Cooling Pumps.....38
 - Yanmar Engines, Cooling Pumps38
 - Scania Engines, Cooling Pumps39
 - Craftsman Engines, Cooling pumps.....39
 - Fisher Panda Engines, Cooling Pumps39
- AC FIP Pumps.....40
- Pedestal FIP Pumps.....40
- Pedestal Electro-Magnetic Clutch Pumps41
 - Electro-Magnetic Clutches and Coils.....41
- Accessories42
- Spare Parts42



Albinus flexible impeller pumps are designed to handle most commercial and pleasure boats needs for raw water applications. The self-priming ability makes FIP pumps being the right choice for engine cooling, bilge pumping and deck wash. The pumps have a long life due to the heavy duty design and ensure correct cooling flow with Albinus premium Impellers.

Engine Cooling Pumps

Volvo Penta Engines, Cooling Pumps

PN	Impeller	Engine models	Replaces pump
05-01-001	06-01-021	AD31/41/43, TAMD31/41/42, KAD32/42/44, KAMD42/43/44 (3583115/3581558), AD31/41, MD31, TMD31/41, TAMD31/41/42, KAD32/42/43/44, KAMD42/43/44(860629)	VOLVO 3583115 (Old, 3581558, 860629) (Imp 21951356, Old 3841697, 21422647) JOHNSON 10-24524-01 (VP 338115) 10-24394-01 (VP 860629) (Imp 09-1028-01)

PN	Impeller	Engine models	Replaces pump
05-01-002	06-02-028	MD 100/100 A/120/120 A, TMD 100/100 A/120/120 A121C/122A, TAMD 120/120 A/121C/122A/122P	VOLVO 3829311 (Old, 846354) (Imp 21730344, Old 875736) JOHNSON 10-21915 (Imp 09-1029B)

PN	Impeller	Engine models	Replaces pump
05-01-003	06-02-031	3829312-TAMD 102A/122A/120B/122C/122D, 3829313-TAMD 102A/102D/103A/122P	VOLVO 3583112 (Old, 845189) , 3829313(Old, 866396) (Imp 875814) JABSCO 10590-0041 (Imp 17936-0001)

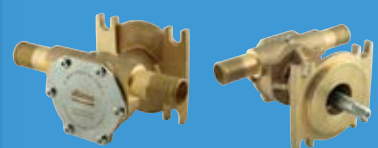
PN	Impeller	Engine models	Replaces pump
05-01-004	06-02-031	TAMD 162A/162B/162C, 163A/163P, 65A/165C/165P	VOLVO 3837935 (Old, 3825493) (Imp Kit 21951364) JOHNSON 10-13166-01 (Imp 09-814B)

PN	Impeller	Engine models	Replaces pump
05-01-005	06-01-006	D1-13A/B/F, D1-20 A/B/F	VOLVO 3593654 (Imp 22222936) (Old 21951344, 3593659) JOHNSON 10-24751-01 (Imp 09-1026B)

PN	Impeller	Engine models	Replaces pump
05-01-006	06-01-006	D1-30 A/B/F, D2-40 A/B/F	VOLVO 3593655 (Imp 22222936, old 21951344, 3593659) JOHNSON 10-24752-01 (Imp 09-1026B)

PN	Impeller	Engine models	Replaces pump
05-01-007	06-01-012	D2-55A/B/C/D/E/F, D2-75A/B/C/F	VOLVO 3583089 (Imp 21951346, old 3862281, 877400) JOHNSON N/A (Imp 09-1027B-1)

PN	Impeller	Engine models	Replaces pump
05-01-008	06-01-014	D3-110I, D3-130 A/I, D3-160 A/I, D3-190 A/I	VOLVO 21141637 (Imp 21951352, old 21381693, 3593660) JOHNSON N/A (Imp 09-812BT-1)



Engine Cooling Pumps



PN	Impeller	Engine models	Replaces pump
05-01-009	06-01-014	D3-110I-G, D3-140 A/I , D3-150I-G, D3-170 A/I-G, D3-200 A/I-G, D3-220 A/I-G	VOLVO 21379102 (Imp 21951352, old 21381693, 3593660) JOHNSON N/A (Imp 09-812BT-1)

PN	Impeller	Engine models	Replaces pump
05-01-010	06-02-023	D4-210/225/260/300	VOLVO 3584062 (Imp 3588475) Jabsco 50384-8000 (Imp 17937-0001)

PN	Impeller	Engine models	Replaces pump
05-01-011	06-01-021	D4-225A-E, D4-260 A-E, D4-260D-E, D4-300 A-E, D4-300D-E	VOLVO 21419374 (Imp 21951536, old 21422647 3841697) JOHNSON N/A (Imp 09-1028B)

PN	Impeller	Engine models	Replaces pump
05-01-012	06-02-024	D6-280 A, D6-310 A, D6-310D, D6-330 A, D6-330D, D6-350 A, D6-370 A, D6-370D, D6-435D	VOLVO 21380890 (Old 3589907, Imp 3593573) Jabsco 50394-8300 (Imp 17018-0001)

PN	Impeller	Engine models	Replaces pump
05-01-013	06-01-020	D6-280 A, D6-310 A, D6-310D, D6-330 A, D6-330D, D6-370 A, D6-370D, D6-435D	VOLVO 21419376 (Imp 21951358, old 22000061, 21951358, 3887761) JOHNSON N/A (Imp 09-821BT-01)

PN	Impeller	Engine models	Replaces pump
05-01-014	06-01-021	D5A-A T/TA, D7A-A T/TA, D7C-A TA, D7A-B TA, D7C-B TA	VOLVO 3838288 (Imp 21951356, old 21422647, 3841697) JOHNSON 10-24580-01 (Imp 09-1028B)

PN	Impeller	Engine models	Replaces pump
05-01-015	06-02-024	D9A2A D9-425, D9-500, D9-500 (R4), D9-575, D9A2B, D9-425, D9-500 (R5), D9A2A D9A-MH, D9A2B D9-575, D9A2A MH, D9A2B MH, D9A2C D9A-MH, D9-425, D9A2D D9-500 (R5), D9A2E D9-425, D9A2F D9-575, D9A2A MP, D9A2B MP, D9A2C, D9A2D, D9A2E, D9A2F, D9A2G, D9A2H, D9A2J, D9A-J, D9A-K, D9A2K, D9A2K, D9-575, D11A-A, D11A-B, D11A-C, D11A-D, D11A-C (IPS), 11AD (IPS), D11A-E, D11A-E (IPS)	VOLVO 21380886 (Imp 21730348, old 3817587) JABSCO N/A (Imp 17018-0001)

PN	Impeller	Engine models	Replaces pump
05-01-016	06-02-027	D11A-A, D11A-B, D11A-C, D11A-D, D11A-C (IPS), D11A-D (IPS), D11A-E, D11A-E (IPS), D11B1-A MP, D11B2-A MP (IPS), D11B1-A MP, D11B2-A MP (IPS)	VOLVO 21219723 (Old 3819485, Imp 21730348, old 3817587) Jabsco N/A (Imp 17018-0001)

Engine Cooling Pumps

PN	Impeller	Engine models	Replaces pump
05-01-017	06-02-024	D11B1-A MP, D11B2-A MP (IPS)	VOLVO 22063494 (Old 3819485), Imp 21730348, old 3817587 Jabsco N/A (Imp 17018-0001)

PN	Impeller	Engine models	Replaces pump
05-01-018	06-02-032	D12C/D	VOLVO 3838207 (Imp 3830459) Jabsco N/A (Imp 17938-0001)

PN	Impeller	Engine models	Replaces pump
05-01-019	06-02-032	D13B/C	VOLVO 3886848 (Imp 3830459) Jabsco N/A (Imp 17938-0001)

PN	Impeller	Engine models	Replaces pump
05-01-020	06-02-032	D16C-A MH, D16C-B MH, D16C-C MH	VOLVO 3589104 (Imp 3830459) Jabsco N/A (Imp 17938-0001)

Volvo Penta Engines, High Speed Cooling Pumps

PN	Impeller	Pulley type	Engine models	Replaces pump
05-01-040	06-01-037	V Belt Pulley, 2 Groove	4.3/ 5.0/ 5.7/ 4.3GL, 5.0GL, 5.7GL	VOLVO 21214596, old 3862487 (Imp 21951348, old 21213650, 21213660, 3855546, 3856039, 3858256, 3862567, 875811, 876243)

PN	Impeller	Pulley type	Engine models	Replaces pump
05-01-041	06-01-037	Serpentine Belt Pulley, 1 Groove	4.3/ 5.0/ 5.7L	VOLVO 21214599, old 3858230, 3812698 (Imp 21951348, old 21213650, 21213660, 3855546, 3856039, 3858256, 3862567, 875811, 876243)

PN	Impeller	Pulley type	Engine models	Replaces pump
05-01-042	06-01-037	Beltless pulley, crankshaft mounted pump	8.1 L, V8	VOLVO 21214601, old 3860795, 3862484, 3812695 (Imp 21951348, old 21213650, 21213660, 3855546, 3856039, 3858256, 3862567, 875811, 876243)

PN	Impeller	Pulley type	Engine models	Replaces pump
05-01-043	06-01-014	Serpentine Belt Pulley, 1 Groove	4.3/ 5.0GL, 4.3/ 5.0/ 5.7GXi, 5.7Gi, V6-200/225, V8-225/270/300/350	VOLVO 21212799 (Imp 22307636, old 21212794, 21213664)

PN	Impeller	Pulley type	Engine models	Replaces pump
05-01-044	06-01-014	Beltless pulley crankshaft mounted pump	8.1Gi, 8.1IPS	VOLVO 21212800 (Imp 22307636, old 21212794, 21213664)



page 37

Engine Cooling Pumps



page 38

PN	Impeller	Pulley type	Engine models	Replaces pump
05-01-045	06-01-014	V Belt Pulley, 2 Groove	4.3/ 5.0GL, 5.0GL-F, 5.0GL-FF	VOLVO 21255090 (Imp 22307636, old 21212794, 21213664)

Crank Shaft Engine Cooling Pumps

PN	Impeller	Type	Engine models	Replaces pump
05-01-046	06-01-014	Crank Shaft Engine Cooling Pump	Converts pulley driven to crank shaft driven mount for Ford or GM V6/V8 marine engine blocks. PCM, Crusader, Mercruiser and more	JOHNSON F6B-9, Johnson Pump 10-24930-01, 10-24915-01, 10-24805-01, 10-24232-01 INDMAR 685001

Yanmar Engines, Cooling Pumps

PN	Impeller	Engine models	Replaces pump
05-01-021	06-01-020	6LY3-ETP, 6LY3-STP, 6LY3-UTP, 6LY3-STC, 6LY3-UTC, 6LY3-ETP 24, 6LY3-STP 24, 6LY3-UTP 24, 6LY3-STC 24, 6LY3-UTC 24	YM 119578-42501 (Imp 119578-42550)

PN	Impeller	Engine models	Replaces pump
05-01-022	06-01-020	6LY2 SERIES (6LY2-ST, 6LY2-STVY, 6LY2-WST, 6LY2-WDT, 6LY2-WDTZY, 6LY2M-WDT, 6LY2MMWST, 6LYA-STP, 6LYA-STE, 6LYA-UTE, 6LY2-STE, 6LY2A-STP, 6LY2A-UTP)	YM 119574-42502 (Imp 119574-42550)

PN	Impeller	Engine models	Replaces pump
05-01-023	06-01-014	6LP(A)-DTE(P), 6LP(A)-STE(P), 6LPA-STP2	YM 119773-42502 (Gear included, Imp 119773-42600)

PN	Impeller	Engine models	Replaces pump
05-01-024	06-01-014	6LP(A)-DTZE(P), 6LP(A)-STZE(P), 6LPASTZP2/3	YM 119773-42650 (Gear included, Imp 119773-42600)

PN	Impeller	Engine models	Replaces pump
05-01-025	06-01-012	4JH3-THE, 4JH3-DTE, 4JH3E, 4JH3CE, 4JH3CE1, 4JH3-TE, 4JH3-TCE, 3JH3E, 3JH3E(EPA), 3JH3CE, 4JH3-TE-YEU, 4JH3-DTE(YEU), 3JH3E-YEU-E, 4JH4-TE, 4JH4-THE, 4JH4-HTE1	YM 129670-42513 (Gear included, Imp 129670-42530). Replaces 129670-42500, 129670-42501, 129670-42510, 129670-42511, 129670-42512

PN	Impeller	Engine models	Replaces pump
05-01-026	06-01-012	4JH5E, 3JH4E, 4JH4E, 4JH4AE, 3JH5E, 4JH45, 4JH57, 4JH80, 4JH110)3JH5E	YM 129271-42502 (Gear included, Imp 129670-42531)

Engine Cooling Pumps

PN	Impeller	Engine models	Replaces pump
05-01-027	06-01-005	2GMF, 3GMF, 2YM, 3YM	YM 128397-42500, 128990-42500 (Imp 128397-42200) Johnson 10-24509-01, 10-13337, (Imp 09-810B-1)



PN	Impeller	Engine models	Replaces pump
05-01-029	06-01-005	2GM, 3GM	YM 128377-42500 (Imp 128397-42200) Johnson 10-24509-02 (Imp 09-810B-1)



Scania Engines, Cooling Pumps

PN	Impeller	Engine models	Replaces pump
05-01-028	06-02-031	D9, DI12, DI13, DI16 SERIES	SCANIA 1785018 (Imp 323897) Johnson 10-24308-02 (Imp 08-814B)



Craftsman Engines, Cooling Pumps

PN	Impeller	Engine models	Replaces pump
05-01-047	06-01-010	2,3,4 CYL	



PN	Impeller	Engine models	Replaces pump
05-01-048	06-01-012	6 CYL	



Fisher Panda Engines, Cooling Pumps

PN	Impeller	Engine models	Replaces pump
05-01-050	06-01-005	Gen.sets Model 5000 LPE, 6000 ND, 8000 NE, 9000 ND	Johnson 10-35127-03, (Imp 09-810B-1)



AC FIP Pumps



Pedestal FIP Pumps



Albinus AC flexible impeller pumps are designed to handle most Septic Tank Handling, Wash Down, Circulation, Water and General Purpose pumping applications. Self-priming pumps (up to 5m for a dry pump) with a flexible, compact design for a wide range of applications and OEM applications; for example within Marine, Agriculture, WWS, Water Ponds and Forestry. Capacity range from 50 to 180 l/min (13 to 48 GPM).

Due to the flexible impeller the pumps can handle most liquids and slurries with soft particles. Max. dia for hard particle is approx. 7 mm.

Easy to maintain and quick to clean. The pumps are designed with few parts which keeps service time reduced to a minimum.

MA25-BSP1"- Flange IEC 80-w/o motor

PN	Impeller	Technical data		Replaces pump
05-03-031	Neoprene 06-01-021	Recommended motor:	0.75 kW, 1400 rpm. Single phase motor 230V must be equipped with start and drive capacitor.	Johnson: FIP25B-BSP00M01F80 (Imp 09-1028B-1)
		Max. Capacity:	78 L / min (20.6 US GPM)	
		Max. Pressure:	2.5 Bar (36 psi)	
		Max. Suction lift:	5 m (16.4ft)	

MA40-BSP1 1/2"- Flange IEC 90-w/o motor

PN	Impeller	Technical data		Replaces pump
05-03-032	Double flat Neoprene 06-05-038	Recommended motor:	1.1 kW, 1400 rpm. Single phase motor 230V must be equipped with start and drive capacitor.	Johnson: FIP40SI-BSP02M01F90 (Imp 09-838S)
		Max. Capacity:	188 L / min (49.7 US GPM)	
		Max. Pressure:	2.5 Bar (36 psi)	
		Max. Suction lift:	5 m (16.4ft)	

Standard multi-purpose pedestal pump for engine cooling and various applications for raw and fresh water,

Type F5

PN	Impeller	Replaces pump
05-01-049	06-01-012	Johnson: 10-24571-01, F5B-8 (Imp 09-1027B-1)

Type F4

PN	Impeller	Replaces pump
05-01-052	06-01-005	Johnson: 10-24570-01, F4B-8 (Imp 09-810B-1)

Type F35

PN	Impeller	Replaces pump
05-01-051	06-01-002	Johnson: 10-24569-01, F35B-8 (Imp 09-808B-1)

Pedestal Electro- Magnetic Clutch Pumps

FIP40B-CD, 1½" Impeller Pump w/o Clutch

PN	Impeller	Replaces pump
05-02-030	06-02-028	Johnson Pump 10-13022-99, F8B-5001

FIP50B-CD, 2" Impeller Pump w/o Clutch

PN	Impeller	Replaces pump
05-02-031	06-02-031	Johnson Pump 10-13027-99, F9B-5600

Electro-magnetic Clutches

PN	Description
05-59-032	El-Magnetic Clutch, 12V 2xA 7" Pulley
05-59-033	El-Magnetic Clutch, 24V 2xA 7" Pulley

PN	Description
05-59-034	El-Magnetic Clutch, 12V 1xB 7" Pulley
05-59-035	El-Magnetic Clutch, 24V 1xB 7" Pulley

Coil

PN	Description
05-59-036	Coil 12V for El-Magnetic Clutch
05-59-037	Coil 24V for El-Magnetic Clutch



Accessories



Spare Parts



page 42

Complement your General Purpose Pumps with Albinus Vacuum Valves.

Vacuum Valves

Correctly installed, a vacuum valve is a low cost insurance against water intrusion in the motor caused by siphoning effects in the exhaust pipe. Water intrusion in your motor can cause serious damage.

- Install above water line between heat exchanger and the exhaust hose
- Non-corrosive
- Proven design made of tough thermoplastic with rubber valve
- Easy to install

Vacuum Valve 12 mm (1/2")

PN	Vacuum Valve connection size	Interchangeable with
05-69-033	12 mm (1/2")	Johnson Pump 09-47316-01

Vacuum Valve 16 mm (5/8")

PN	Vacuum Valve connection size	Interchangeable with
05-69-034	16 mm (5/8")	Volvo Penta 21662701 (replaces old 827952, 828271, 828537, 833685, 833687, 838154, 838207) Johnson Pump 09-47316-02

Vacuum Valve 19 mm (3/4")

PN	Vacuum Valve connection size	Interchangeable with
05-69-035	19 mm (3/4")	Volvo Penta 21662702 (replaces old 861497) Johnson Pump 09-47316-03

Vacuum Valve 22 mm (7/8")

PN	Vacuum Valve connection size	Interchangeable with
05-69-036	22 mm (7/8")	Volvo Penta 21662703 Johnson Pump 09-47316-04

Vacuum Valve 25 mm (1")

PN	Vacuum Valve connection size	Interchangeable with
05-69-037	25 mm (1")	Volvo Penta 21662704 (replaces old 3583738, 3843297) Johnson Pump 09-47316-05

Vacuum Switch FIP

PN	Description
05-63-053	Vacuum switch that automatically turns off your impeller pump when the pump starts sucking air, preventing dry running

Service Kit Vacuum Valve

PN	Description
05-99-038	Service kit with rubber valve and screw cap. Same valve and cap for all sizes

Premium Spare Parts Kits containing Impeller replacement kit, wear parts and fasteners required for your particular Albinus Engine Cooling Pump/Pedestal Electro Magnetic Clutch Pumps or Albinus FIP pump with IEC/AC motor flange.

Overview

Premium Spare Parts Kit PN	for pump PN	Engine models	Pump model replaces pump
05-91-001	05-01-001	AD31/41/43, TAMD31/41/42, KAD32/42/44, KAMD42/43/44 (3583115/3581558), AD31/41, MD31, TMD31/41, TAMD31/41/42, KAD32/42/43/44, KAMD42/43/44(860629)	Spares for Albinus pumps only
05-91-002	05-01-002	MD 100/100 A/120/120 A, TMD 100/100 A/120/120 A 121C/122A, TAMD 120/120 A/121C/122A/122P	Spares for Albinus pumps only
05-91-003	05-01-003	3829312-TAMD 102A/122A/120B/122C/122D, 3829313-TAMD 102A/102D/103A/122P	Spares for Albinus pumps only
05-91-004	05-01-004	TAMD 162A/162B/162C, 163A/163P, 65A/165C/165P	Spares for Albinus pumps only
05-91-005	05-01-005	D1-13A/B/F, D1-20 A/B/F	VOLVO 3593654 (Imp 22222936) (Old 21951344, 3593659) JOHNSON 10-24751-01 (Imp 09-1026B) JPR JPR-VP0010DA
05-91-006	05-01-006	D1-30 A/B/F, D2-40 A/B/F	VOLVO 3593655 (Imp 22222936, old 21951344, 3593659) JOHNSON 10-24752-01 (Imp 09-1026B) JPR JPR-VP0010DB
05-91-007	05-01-007	D2-55A/B/C/D/E/F, D2-75A/B/C/F	VOLVO 3583089 (Imp 21951346, old 3862281, 877400) JOHNSON N/A (Imp 09-1027B-1) JMP JPR-VP0020D
05-91-008	05-01-008	D3-110I, D3-130 A/I, D3-160 A/I, D3-190 A/I	VOLVO 21141637 (Imp 21951352, old 21381693, 3593660) JOHNSON N/A (Imp 09-812BT-1) JMP JPR-VP0030DA
05-91-009	05-01-009	D3-110I-G, D3-140 A/I, D3-150I-G, D3-170 A/I-G, D3-200 A/I-G, D3-220 A/I-G	VOLVO 21379102 (Imp 21951352, old 21381693, 3593660) JOHNSON N/A (Imp 09-812BT-1) JMP JPR-VP0030DB
05-91-010	05-01-010	D4-210/225/260/300	VOLVO 3584062 (Imp 3588475) Jabsco 50384-8000 (Imp 17937-0001) JMP JPR-VP0040DA
05-91-011	05-01-011	D4-225A-E, D4-260 A-E, D4-260D-E, D4-300 A-E, D4-300D-E	VOLVO 21419374 (Imp 21951536, old 21422647 3841697) JOHNSON N/A (Imp 09-1028B) JMP JPR-VP0040DB
05-91-012	05-01-012	D6-280 A, D6-310 A, D6-310D, D6-330 A, D6-330D, D6-350 A, D6-370 A, D6-370D, D6-435D	VOLVO 21380890 (Old 3589907, Imp 3593573) Jabsco 50394-8300 (Imp 17018-0001) JMP JPR-VP0060DA
05-91-013	05-01-013	D6-280 A, D6-310 A, D6-310D, D6-330 A, D6-330D, D6-370 A, D6-370D, D6-435D	VOLVO 21419376 (Imp 21951358, old 22000061, 21951358, 3887761) JOHNSON N/A (Imp 09-821BT-01) JMP JPR-VP0060DB
05-91-014	05-01-014	D5A-A T/TA, D7A-A T/TA, D7C-A TA, D7A-B TA, D7C-B TA	VOLVO 3838288 (Imp 21951356, old 21422647, 3841697) JOHNSON 10-24580-01 (Imp 09-1028B) JMP JPR-VP0050D
05-91-015	05-01-015	D9A2A D9-425, D9-500, D9-500 (R4), D9-575, D9A2B, D9-425, D9-500 (R5), D9A2A D9A-MH, D9A2B D9-575, D9A2A MH, D9A2B MH, D9A2C D9A-MH, D9-425, D9A2D D9-500 (R5), D9A2E D9-425, D9A2F D9-575, D9A2A MP, D9A2B MP, D9A2C, D9A2D, D9A2E, D9A2F, D9A2G, D9A2H, D9A2J, D9A-J, D9A-K, D9A2K, D9A2L, D9-575, D11A-A, D11A-B, D11A-C, D11A-D, D11A-C (IPS), 11AD (IPS), D11A-E, D11A-E (IPS)	VOLVO 21380886 (Imp 21730348, old 3817587) JABSCO N/A (Imp 17018-0001) JMP JPR-VP0090D
05-91-016	05-01-016	D11A-A, D11A-B, D11A-C, D11A-D, D11A-C (IPS), D11A-D (IPS), D11A-E, D11A-E (IPS), D11B1-A MP, D11B2-A MP (IPS), D11B1-A MP, D11B2-A MP (IPS)	VOLVO 21219723 (Old 3819485, Imp 21730348, old 3817587) Jabsco N/A (Imp 17018-0001) JMP JPR-VP0110DA
05-91-017	05-01-017	D11B1-A MP, D11B2-A MP (IPS)	VOLVO 22063494 (Old 3819485), Imp 21730348, old 3817587) Jabsco N/A (Imp 17018-0001) JMP JPR-VP0110DB
05-91-018	05-01-018	D12C/D	VOLVO 3838207 (Imp 3830459) Jabsco N/A (Imp 17938-0001) JMP JPR-VP0120D
05-91-019	05-01-019	D13B/C	VOLVO 3886848 (Imp 3830459) Jabsco N/A (Imp 17938-0001) JMP JPR-VP0130D
05-91-020	05-01-020	D16C-A MH, D16C-B MH, D16C-C MH	VOLVO 3589104 (Imp 3830459) Jabsco N/A (Imp 17938-0001) JMP JPR-VP0160D
05-91-021	05-01-021	6LY3-ETP, 6LY3-STP, 6LY3-UTP, 6LY3-STC, 6LY3-UTC, 6LY3-ETP 24, 6LY3-STP 24, 6LY3-UTP 24, 6LY3-STC 24, 6LY3-UTC 24	YM 119578-42501 (Imp 119578-42550) JMP JPR-YM06LY3

Overview, continued

Premium Spare Parts Kit PN	for pump PN	Engine models	Pump model replaces pump
05-91-022	05-01-022	6LY2 SERIES (6LY2-ST, 6LY2-STVY, 6LY2-WST, 6LY2-WDT, 6LY2-WDTZY, 6LY2M-WDT, 6LY2MWST, 6LYA-STP, 6LYA-STE, 6LYA-UTE, 6LY2-STE, 6LY2A-STP, 6LY2A-UTP)	YM 119574-42502 (Imp 119574-42550) JMP JPR-YM06LY2
05-91-023	05-01-023	6LP(A)-DTE(P), 6LP(A)-STE(P), 6LPA-STP2	YM 119773-42502 (Gear included, Imp 119773-42600) JMP JPR-YM06LPA
05-91-024	05-01-024	6LP(A)-DTZE(P), 6LP(A)-STZE(P), 6LPASTZP2/3	YM 119773-42650 (Gear included, Imp 119773-42600) JMP JPR-YM06LPB
05-91-025	05-01-025	4JH3-THE, 4JH3-DTE, 4JH3E, 4JH3CE, 4JH3CE1, 4JH3-TE, 4JH3-TCE, 3JH3E, 3JH3E(EPA), 3JH3CE, 4JH3-TE-YEU, 4JH3-DTE(YEU), 3JH3E-YEU-E, 4JH4-TE, 4JH4-THE, 4JH4-HTE1	YM 129670-42513 (Gear included, Imp 129670-42530). Replaces 129670-42500, 129670-42501, 129670-42510, 129670-42511, 129670-42512 JMP JPR-YM04JHA
05-91-026	05-01-026	4JH5E, 3JH4E, 4JH4E, 4JH4AE, 3JH5E, 4JH45, 4JH57, 4JH80, 4JH110)3JH5E	YM 129271-42502 (Gear included, Imp 129670-42531) JMP JPR-YM04JHB
05-91-027	05-01-027	2GMF, 3GMF, 2YM, 3YM	Spares for Albinus pumps only
05-91-028	05-01-028	D9, DI12, DI13, DI16 SERIES	Spares for Albinus pumps only
05-91-029	05-01-029	2GM, 3GM	Spares for Albinus pumps only
05-92-030	05-02-030	Clutch pump	Johnson Pump 10-13022-99, F8B-5001 JMP JPR-M40IP
05-92-031	05-02-031	Clutch pump	Johnson Pump 10-13027-99, F9B-5600 JMP JPR-M50IP
05-91-047	05-01-047	Craftsman 2,3,4 CYL	JMP JPR-CM08IH
05-91-048	05-01-048	Craftsman 6 CYL	JMP JPR-CM10LH
05-91-049	05-01-049	Standard Pedestal pump	Johnson: 10-24571-01, F5B-8 (Imp 09-1027B-1) JMP JPR-20IP
05-91-050	05-01-050	Gen.sets Model 5000 LPE, 6000 ND, 8000 NE, 9000 ND	Johnson 10-35127-03, (Imp 09-810B-1) JMP JPR-KU08IH
05-91-051	05-01-051	Standard Pedestal pump	Johnson: 10-24569-01, F35B-8 (Imp 09-808B-1) JMP JPR-10IP
05-91-052	05-01-052	Standard Pedestal pump	Johnson: 10-24570-01, F4B-8 (Imp 09-810B-1) JMP JPR-15IP
05-93-031	05-03-031	AC motor pump	Johnson: FIP25B
05-93-032	05-03-032	AC motor pump	Johnson: FIP40S

Premium Spare Parts Kit PN	for pump PN	Engine models	Pump model replaces pump
05-91-001	05-01-001	AD31/41/43, TAMD31/41/42, KAD32/42/44, KAMD42/43/44 (3583115/3581558), AD31/41, MD31, TMD31/41, TAMD31/41/42, KAD32/42/43/44, KAMD42/43/44(860629)	Spares for Albinus pumps only

Premium Spare Parts Kit PN	for pump PN	Engine models	Pump model replaces pump
05-91-002	05-01-002	MD 100/100 A/120/120 A, TMD 100/100 A/120/120 A121C/122A, TAMD 120/120 A/121C/122A/122P	Spares for Albinus pumps only



Spare Parts

Premium Spare Parts Kit PN	for pump PN	Engine models	Pump model replaces pump
05-91-003	05-01-003	3829312-TAMD 102A/122A/120B/122C/122D, 3829313-TAMD 102A/102D/103A/122P	Spares for Albinus pumps only

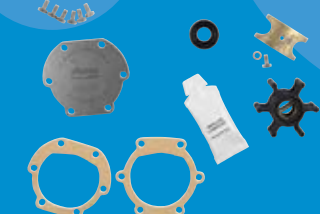
Premium Spare Parts Kit PN	for pump PN	Engine models	Pump model replaces pump
05-91-004	05-01-004	TAMD 162A/162B/162C, 163A/163P, 65A/165C/165P	Spares for Albinus pumps only

Premium Spare Parts Kit PN	for pump PN	Engine models	Pump model replaces pump
05-91-005	05-01-005	D1-13A/B/F, D1-20A/B/F	VOLVO 3593654 (Imp 22222936) (Old 21951344, 3593659) JOHNSON 10-24751-01 (Imp 09-1026B) JPR JPR-VP0010DA

Premium Spare Parts Kit PN	for pump PN	Engine models	Pump model replaces pump
05-91-006	05-01-006	D1-30A/B/F, D2-40 A/B/F	VOLVO 3593655 (Imp 22222936, old 21951344, 3593659) JOHNSON 10-24752-01 (Imp 09-1026B) JPR JPR-VP0010DB

Premium Spare Parts Kit PN	for pump PN	Engine models	Pump model replaces pump
05-91-007	05-01-007	D2-55A/B/C/D/E/F, D2-75A/B/C/F	VOLVO 3583089 (Imp 21951346, old 3862281, 877400) JOHNSON N/A (Imp 09-1027B-1) JMP JPR-VP0020D

Premium Spare Parts Kit PN	for pump PN	Engine models	Pump model replaces pump
05-91-008	05-01-008	D3-110I, D3-130 A/I, D3-160 A/I, D3-190 A/I	VOLVO 21141637 (Imp 21951352, old 21381693, 3593660) JOHNSON N/A (Imp 09-812BT-1) JMP JPR-VP0030DA



Spare Parts



Premium Spare Parts Kit PN	for pump PN	Engine models	Pump model replaces pump
05-91-009	05-01-009	D3-110I-G, D3-140 A/I, D3-150I-G, D3-170 A/I-G, D3-200 A/I-G, D3-220 A/I-G	VOLVO 21379102 (Imp 21951352, old 21381693, 3593660) JOHNSON N/A (Imp 09-812BT-1) JMP JPR-VP0030DB

Premium Spare Parts Kit PN	for pump PN	Engine models	Pump model replaces pump
05-91-010	05-01-010	D4-210/225/260/300	VOLVO 3584062 (Imp 3588475) Jabsco 50384-8000 (Imp 17937-0001) JMP JPR-VP0040DA

Premium Spare Parts Kit PN	for pump PN	Engine models	Pump model replaces pump
05-91-011	05-01-011	D4-225A-E, D4-260 A-E, D4-260D-E, D4-300 A-E, D4-300D-E	VOLVO 21419374 (Imp 21951536, old 21422647 3841697) JOHNSON N/A (Imp 09-10288) JMP JPR-VP0040DB

Premium Spare Parts Kit PN	for pump PN	Engine models	Pump model replaces pump
05-91-012	05-01-012	D6-280 A, D6-310 A, D6-310D, D6-330 A, D6-330D, D6-350 A, D6-370 A, D6-370D, D6-435D	VOLVO 21380890 (Old 3589907, Imp 3593573) Jabsco 50394-8300 (Imp 17018-0001) JMP JPR-VP0060DA

Premium Spare Parts Kit PN	for pump PN	Engine models	Pump model replaces pump
05-91-013	05-01-013	D6-280 A, D6-310 A, D6-310D, D6-330 A, D6-330D, D6-370 A, D6-370D, D6-435D	VOLVO 21419376 (Imp 21951358, old 22000061, 21951358, 3887761) JOHNSON N/A (Imp 09-821BT-01) JMP JPR-VP0060DB

Premium Spare Parts Kit PN	for pump PN	Engine models	Pump model replaces pump
05-91-014	05-01-014	D5A-A T/TA, D7A-A T/TA, D7C-A TA, D7A-B TA, D7C-B TA	VOLVO 3838288 (Imp 21951356, old 21422647, 3841697) JOHNSON 10-24580-01 (Imp 09-1028B) JMP JPR-VP0050D

Premium Spare Parts Kit PN	for pump PN	Engine models	Pump model replaces pump
05-91-015	05-01-015	D9A2A D9-425, D9-500, D9-500 (R4), D9-575, D9A2B, D9-425, D9-500 (R5), D9A2A D9A-MH, D9A2B D9-575, D9A2A MH, D9A2B MH, D9A2C D9A-MH, D9-425, D9A2D D9-500 (R5), D9A2E D9-425, D9A2F D9-575, D9A2A MP, D9A2B MP, D9A2C, D9A2D, D9A2E, D9A2F, D9A2G, D9A2H, D9A2J, D9A-J, D9A-K, D9A2K, D9A2K, D9-575, D11A-A, D11A-B, D11A-C, D11A-D, D11A-C (IPS), 11AD (IPS), D11A-E, D11A-E (IPS)	VOLVO 21380886 (Imp 21730348, old 3817587) JABSCO N/A (Imp 17018-0001) JMP JPR-VP0090D

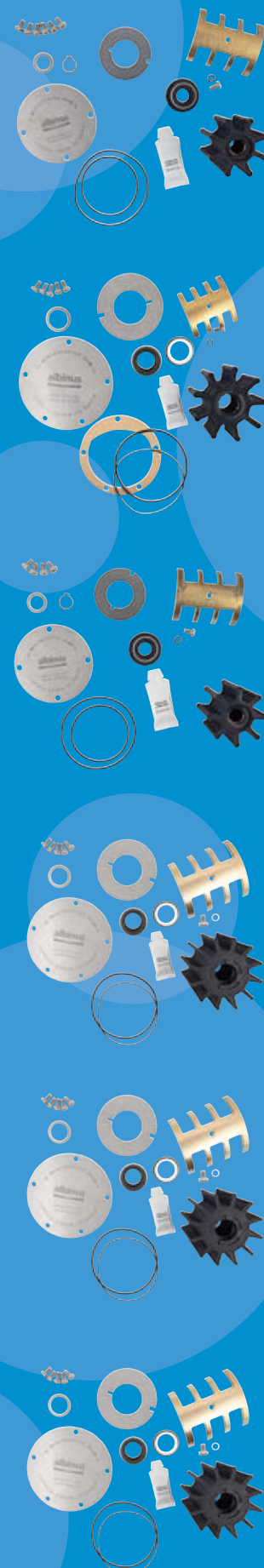
Premium Spare Parts Kit PN	for pump PN	Engine models	Pump model replaces pump
05-91-016	05-01-016	D11A-A, D11A-B, D11A-C, D11A-D, D11A-C (IPS), D11A-D (IPS), D11A-E, D11A-E (IPS), D11B1-A MP, D11B2-A MP (IPS), D11B1-A MP, D11B2-A MP (IPS)	VOLVO 21219723 (Old 3819485, Imp 21730348, old 3817587) Jabsco N/A (Imp 17018-0001) JMP JPR-VP0110DA

Premium Spare Parts Kit PN	for pump PN	Engine models	Pump model replaces pump
05-91-017	05-01-017	D11B1-A MP, D11B2-A MP (IPS)	VOLVO 22063494 (Old 3819485), Imp 21730348, old 3817587) Jabsco N/A (Imp 17018-0001) JMP JPR-VP0110DB

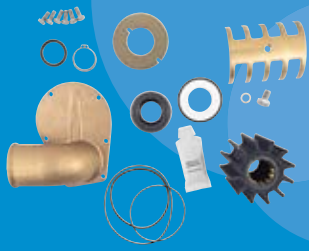
Premium Spare Parts Kit PN	for pump PN	Engine models	Pump model replaces pump
05-91-018	05-01-018	D12C/D	VOLVO 3838207 (Imp 3830459) Jabsco N/A (Imp 17938-0001) JMP JPR-VP0120D

Premium Spare Parts Kit PN	for pump PN	Engine models	Pump model replaces pump
05-91-019	05-01-019	D13B/C	VOLVO 3886848 (Imp 3830459) Jabsco N/A (Imp 17938-0001) JMP JPR-VP0130D

Premium Spare Parts Kit PN	for pump PN	Engine models	Pump model replaces pump
05-91-020	05-01-020	D16C-A MH, D16C-B MH, D16C-C MH	VOLVO 3589104 (Imp 3830459) Jabsco N/A (Imp 17938-0001) JMP JPR-VP0160D



Spare Parts



Premium Spare Parts Kit PN	for pump PN	Engine models	Pump model replaces pump
05-91-021	05-01-021	6LY3-ETP, 6LY3-STP, 6LY3-UTP, 6LY3-STC, 6LY3-UTC, 6LY3-ETP 24, 6LY3-STP 24, 6LY3-UTP 24, 6LY3-STC 24, 6LY3-UTC 24	YM 119578-42501 (Imp 119578-42550) JMP JPR-YM06LY3

Premium Spare Parts Kit PN	for pump PN	Engine models	Pump model replaces pump
05-91-022	05-01-022	6LY2 SERIES (6LY2-ST, 6LY2-STVY, 6LY2-WST, 6LY2-WDT, 6LY2-WDTZY, 6LY2M-WDT, 6LY2MWST, 6LYA-STP, 6LYA-STE, 6LYA-UTE, 6LY2-STE, 6LY2A-STP, 6LY2A-UTP)	YM 119574-42502 (Imp 119574-42550) JMP JPR-YM06LY2

Premium Spare Parts Kit PN	for pump PN	Engine models	Pump model replaces pump
05-91-023	05-01-023	6LP(A)-DTE(P), 6LP(A)-STE(P), 6LPA-STP2	YM 119773-42502 (Gear included, Imp 119773-42600) JMP JPR-YM06LPA

Premium Spare Parts Kit PN	for pump PN	Engine models	Pump model replaces pump
05-91-024	05-01-024	6LP(A)-DTZE(P), 6LP(A)-STZE(P), 6LPASTZP2/3	YM 119773-42650 (Gear included, Imp 119773-42600) JMP JPR-YM06LPB

Premium Spare Parts Kit PN	for pump PN	Engine models	Pump model replaces pump
05-91-025	05-01-025	4JH3-THE, 4JH3-DTE, 4JH3E, 4JH3CE, 4JH3CE1, 4JH3-TE, 4JH3-TCE, 3JH3E, 3JH3E(EPA), 3JH3CE, 4JH3-TE-YEU, 4JH3-DTE(YEU), 3JH3E-YEU-E, 4JH4-TE, 4JH4-THE, 4JH4-HTE1	YM 129670-42513 (Gear included, Imp 129670-42530). Replaces 129670-42500, 129670-42501, 129670-42510, 129670-42511, 129670-42512 JMP JPR-YM04JHA

Premium Spare Parts Kit PN	for pump PN	Engine models	Pump model replaces pump
05-91-026	05-01-026	4JH5E, 3JH4E, 4JH4E, 4JH4AE, 3JH5E, 4JH45, 4JH57, 4JH80, 4JH110)3JH5E	YM 129271-42502 (Gear included, Imp 129670-42531) JMP JPR-YM04JHB

Spare Parts

Premium Spare Parts Kit PN	for pump PN	Engine models	Pump model replaces pump
05-91-027	05-01-027	2GMF, 3GMF, 2YM, 3YM	Spares for Albinus pumps only

Premium Spare Parts Kit PN	for pump PN	Engine models	Pump model replaces pump
05-91-028	05-01-028	D9, DI12, DI13, DI16 SERIES	Spares for Albinus pumps only

Premium Spare Parts Kit PN	for pump PN	Engine models	Pump model replaces pump
05-91-029	05-01-029	2GM, 3GM	Spares for Albinus pumps only

Premium Spare Parts Kit PN	for pump PN	Engine models	Pump model replaces pump
05-92-030	05-02-030	Clutch pump	Johnson Pump 10-13022-99, F8B-5001 JMP JPR-M40IP

Premium Spare Parts Kit PN	for pump PN	Engine models	Pump model replaces pump
05-92-031	05-02-031	Clutch pump	Johnson Pump 10-13027-99, F9B-5600 JMP JPR-M50IP

Premium Spare Parts Kit PN	for pump PN	Engine models	Pump model replaces pump
05-91-047	05-01-047	Craftsman 2,3,4 CYL	JMP JPR-CM08IH



Spare Parts



Premium Spare Parts Kit PN	for pump PN	Engine models	Pump model replaces pump
05-91-048	05-01-048	Craftsman 6 CYL	JMP JPR-CM10LH

Premium Spare Parts Kit PN	for pump PN	Engine models	Pump model replaces pump
05-91-049	05-01-049	Standard Pedestal pump	Johnson: 10-24571-01, F5B-8 (Imp 09-1027B-1) JMP JPR-20IP

Premium Spare Parts Kit PN	for pump PN	Engine models	Pump model replaces pump
05-91-050	05-01-050	Gen.sets Model 5000 LPE, 6000 ND, 8000 NE, 9000 ND	Johnson 10-35127-03, (Imp 09-810B-1) JMP JPR-KU08IH

Premium Spare Parts Kit PN	for pump PN	Engine models	Pump model replaces pump
05-91-051	05-01-051	Standard Pedestal pump	Johnson: 10-24569-01, F35B-8 (Imp 09-808B-1) JMP JPR-10IP

Premium Spare Parts Kit PN	for pump PN	Engine models	Pump model replaces pump
05-91-052	05-01-052	Standard Pedestal pump	Johnson: 10-24570-01, F4B-8 (Imp 09-810B-1) JMP JPR-15IP

Premium Spare Parts Kit PN	for pump PN	Engine models	Pump model replaces pump
05-93-031	05-03-031	AC motor pump	Johnson: FIP25B

Premium Spare Parts Kit PN	for pump PN	Engine models	Pump model replaces pump
05-93-032	05-03-032	AC motor pump	Johnson: FIP40S



06_Replacement Impellers

A wide range of suitable replacement impellers for most engine cooling pumps and other FIP applications. The Albinus impellers are one of the best impellers in the world. 2 year limited warranty. ISO 9001 quality guaranteed.

Pleasure Boat Impellers.....	52
Commercial Boat Impellers.....	59
Special Impellers.....	66
Premium Outboard Impellers.....	69
Impeller Tools.....	74

NB!

The Impeller drawings are 1:1 scale. You can use this document as an identification guide and place your impeller on top of the profile drawing.



Pleasure Boat Impellers

A wide range of suitable replacement impellers for most engine cooling pumps and other FIP applications. The Albinus impellers are one of the best impellers in the world. 2 year limited warranty. ISO 9001 quality guaranteed.

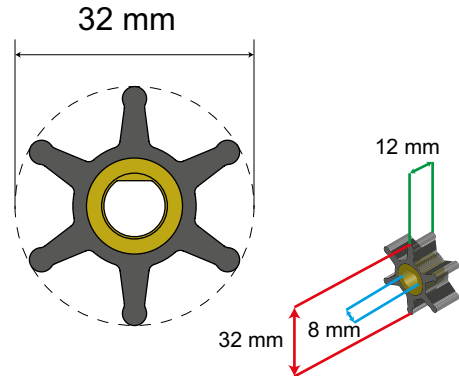
Pleasure Boat Impellers

Part nr. : 06-01-001

Replaces the following impellers:

Jabsco	1414-001
Yanmar	124170-42070

Kit contains impeller, lubricant and any required O-rings/gaskets



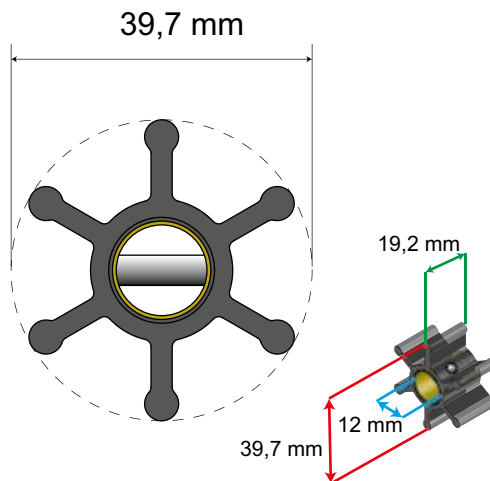
albinus

Part nr.: 06-01-002

Replaces the following impellers:

Jabsco	22405-001
Johnson	09-808B-1
Volvo Penta	875583

Kit contains impeller, lubricant and any required O-rings/gaskets



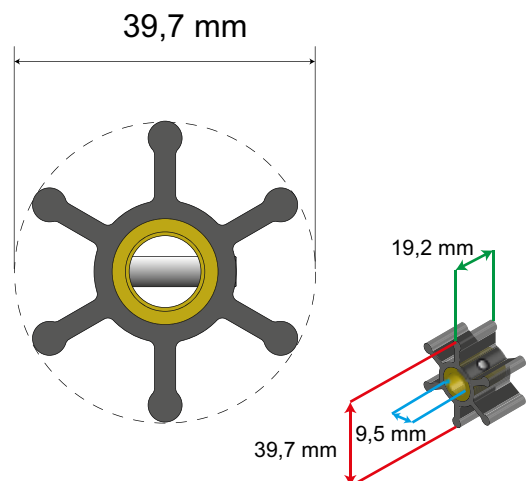
albinus

Part nr.: 06-01-003

Replaces the following impellers:

Jabsco	4528-0001
Johnson	09-806B-1
Sherwood	9979K
Volvo Penta	803729
Yanmar	104211-42070

Kit contains impeller, lubricant and any required O-rings/gaskets

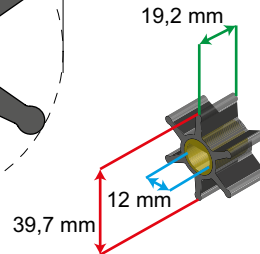
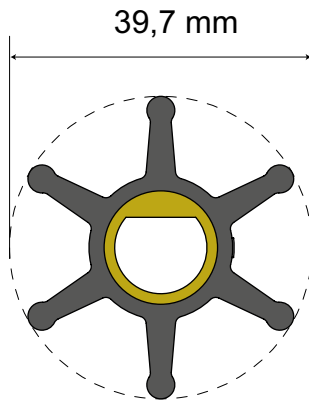


albinus

Part nr.: 06-01-004

Replaces the following impellers:
Sherwood 08000K

Kit contains impeller, lubricant and any required O-rings / gaskets

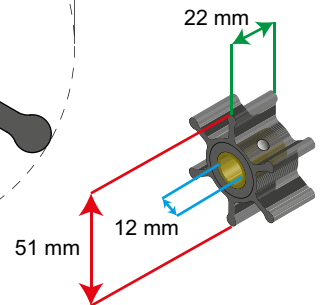
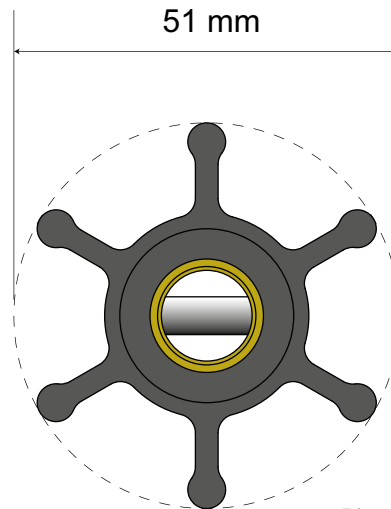


albinus

Part nr. : 06-01-005

Replaces the following impellers:
Jabsco 653-0001
Johnson 09-810B-1

Kit contains impeller, lubricant and any required O-rings / gaskets

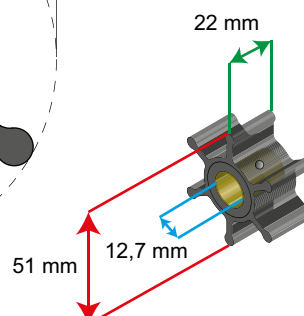
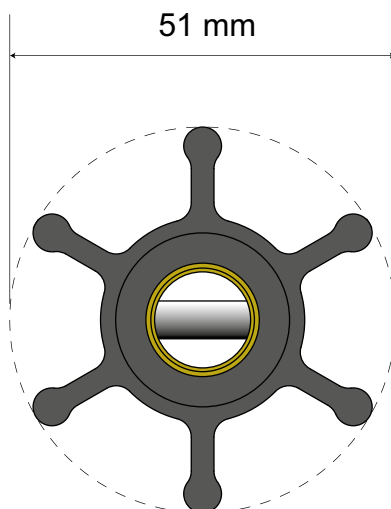


albinus

Part nr.: 06-01-006

Replaces the following impellers:
Jabsco 673-0001
Johnson 09-1026B-1
Volvo Penta 3593659

Kit contains impeller, lubricant and any required O-rings / gaskets



albinus

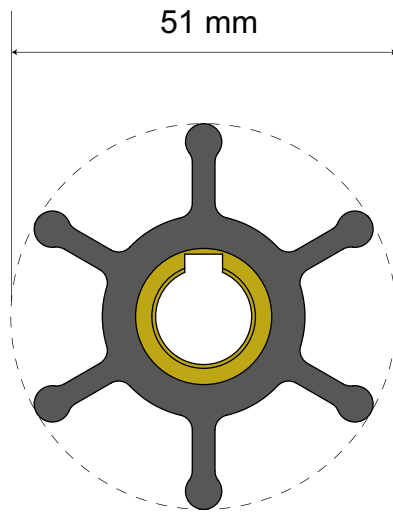
Pleasure Boat Impellers

Part nr.: 06-01-007

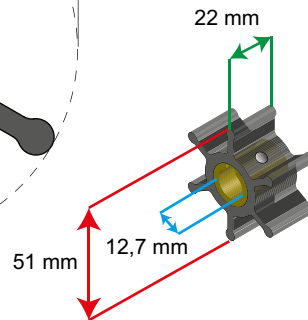
Replaces the following impellers:

Jabsco 22799-0001
Yanmar 124223-42091

Kit contains impeller, lubricant and any required O-rings/gaskets



albinus

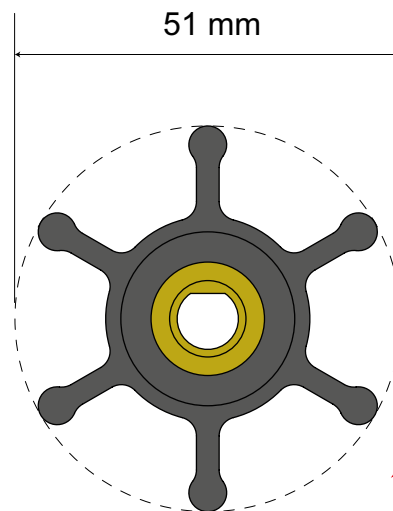


Part nr. : 06-01-008, 06-01-009

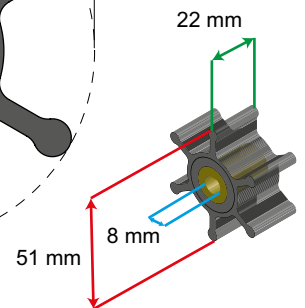
Replaces the following impellers:

(06-01-008) Jabsco 6303-0001
 Johnson 09-824P-1
(06-01-009) Jabsco 6303-0003
 Johnson 09-824P-9

Kit contains impeller, lubricant and any required O-rings/gaskets



albinus

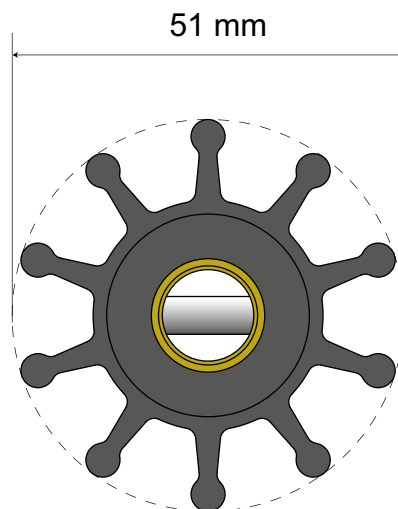


Part nr. : 06-01-010

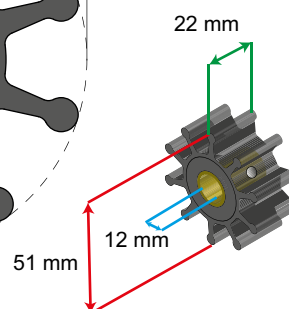
Replaces the following impellers:

Jabsco 18653-0001

Kit contains impeller, lubricant and any required O-rings/gaskets



albinus

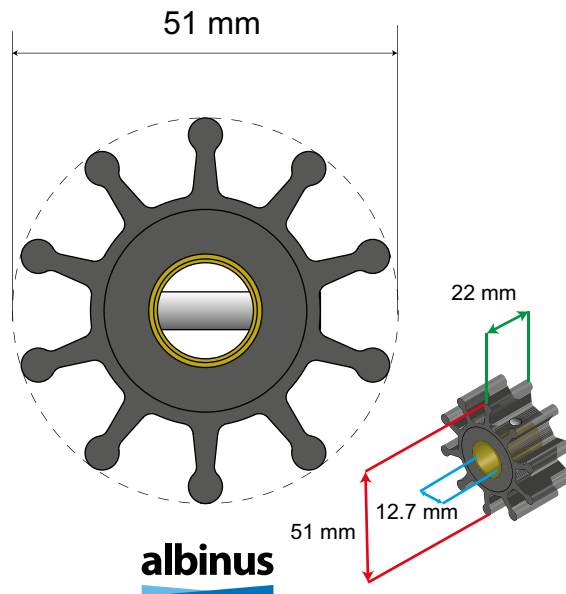


Part nr. : 06-01-011

Replaces the following impellers:

Jabsco 18673-0001

Kit contains impeller, lubricant and any required O-rings / gaskets



Part nr. : 06-01-012

Replaces the following impellers:

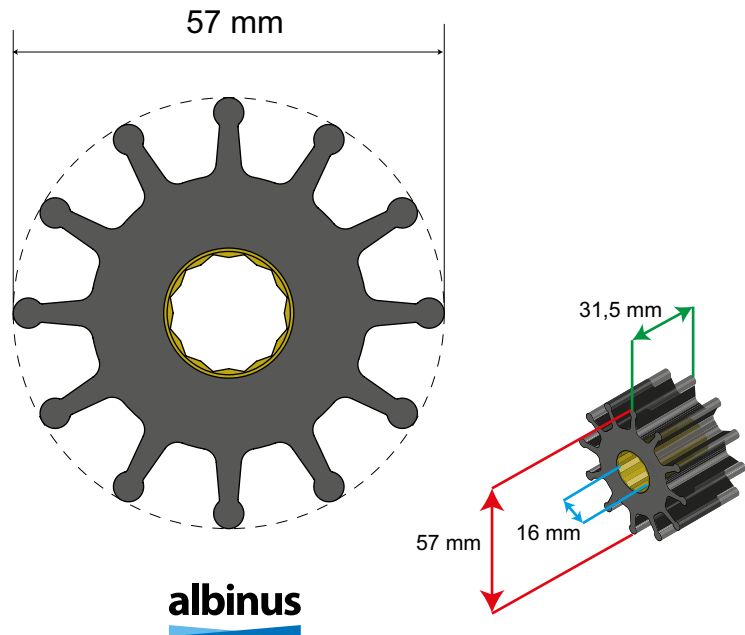
Jabsco 1210-0001

Johnson 09-1027B-1

Volvo Penta 825940

Yanmar 129470-42530

Kit contains impeller, lubricant and any required O-rings / gaskets

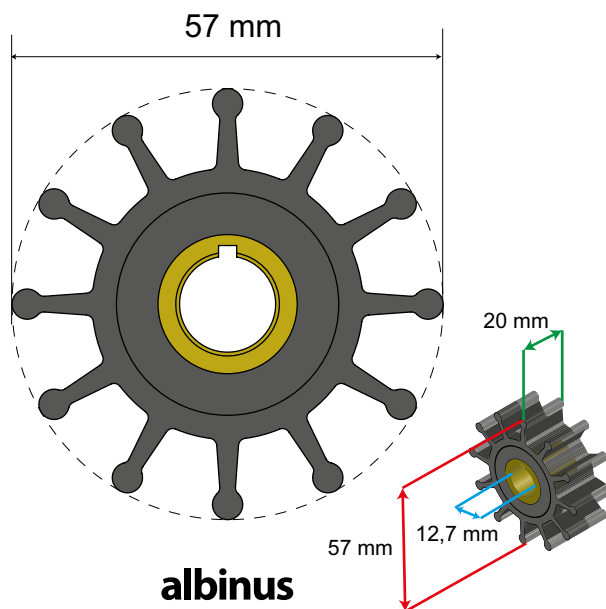


Part nr. : 06-01-013

Replaces the following impellers:

Sherwood 10077K

Kit contains impeller, lubricant and any required O-rings / gaskets



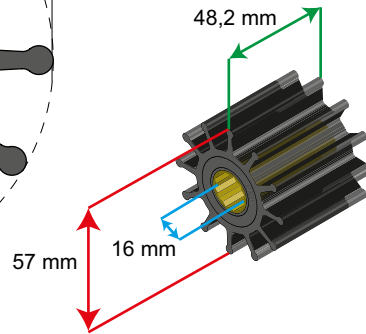
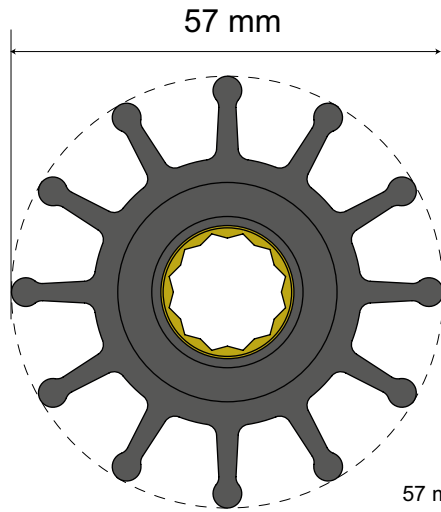
Pleasure Boat Impellers

Part nr. : 06-01-014

Replaces the following impellers:

Jabsco	13554-0001
Johnson	09-812B-1
Volvo Penta	3588914

Kit contains impeller, lubricant and any required O-rings / gaskets



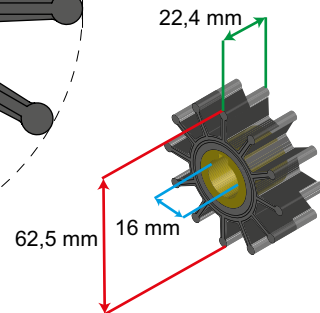
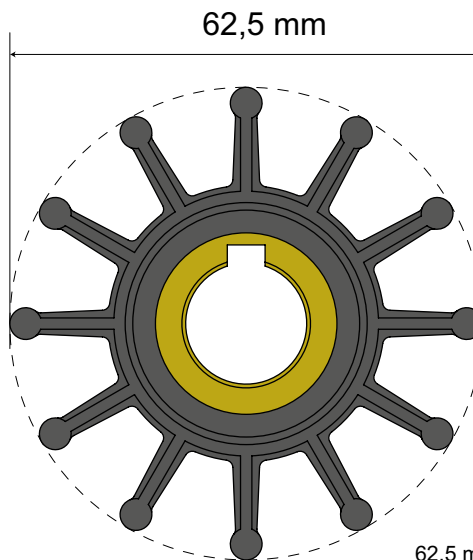
albinus

Part nr. : 06-01-015

Replaces the following impellers:

Sherwood	09000K
----------	--------

Kit contains impeller, lubricant and any required O-rings / gaskets



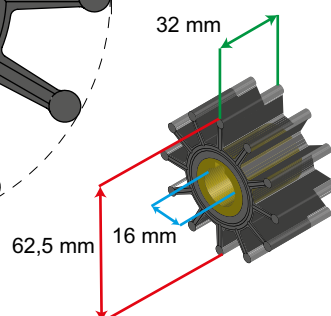
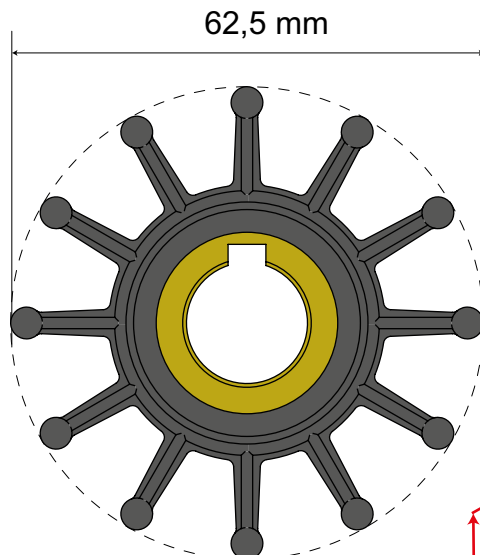
albinus

Part nr. : 06-01-016

Replaces the following impellers:

Jabsco	18838-0001
Johnson	09-701B-1
Sherwood	9959K

Kit contains impeller, lubricant and any required O-rings / gaskets



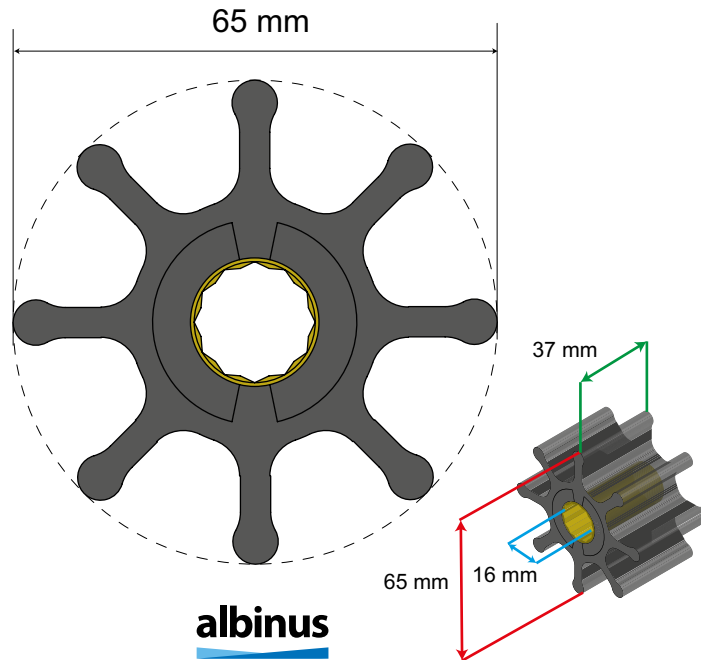
albinus

Part nr. : 06-01-017

Replaces the following impellers:

Jabsco 11979-0001
Yanmar 122610-42021

Kit contains impeller, lubricant and any required O-rings/gaskets

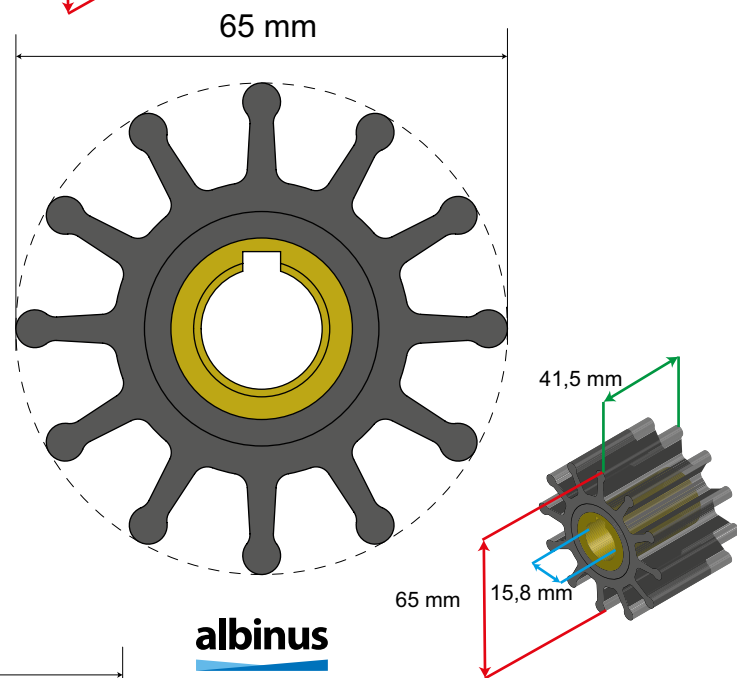


Part nr. : 06-01-018

Replaces the following impellers:

Jabsco 18948-0001
Johnson 09-702B-1
Sherwood 10615K

Kit contains impeller, lubricant and any required O-rings/gaskets

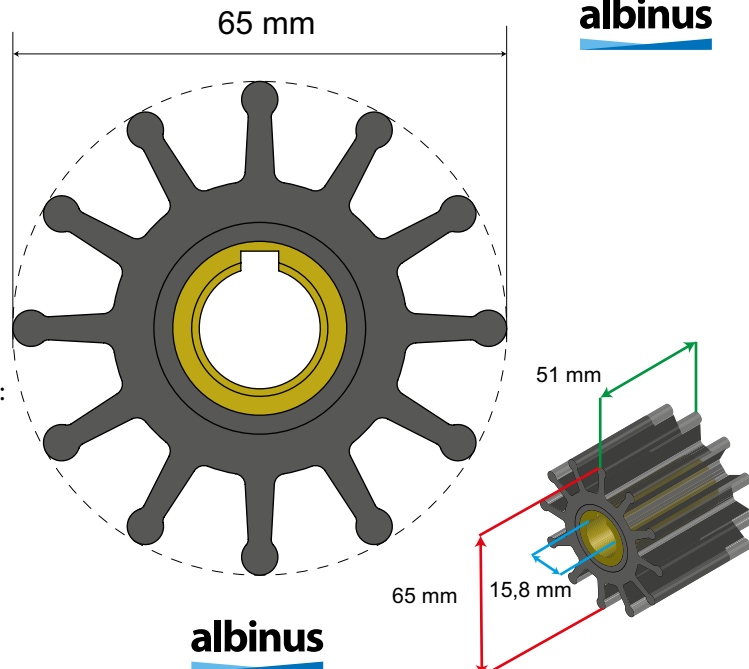


Part nr. : 06-01-019

Replaces the following impellers:

Jabsco 18327-0001
Sherwood 15000K

Kit contains impeller, lubricant and any required O-rings/gaskets



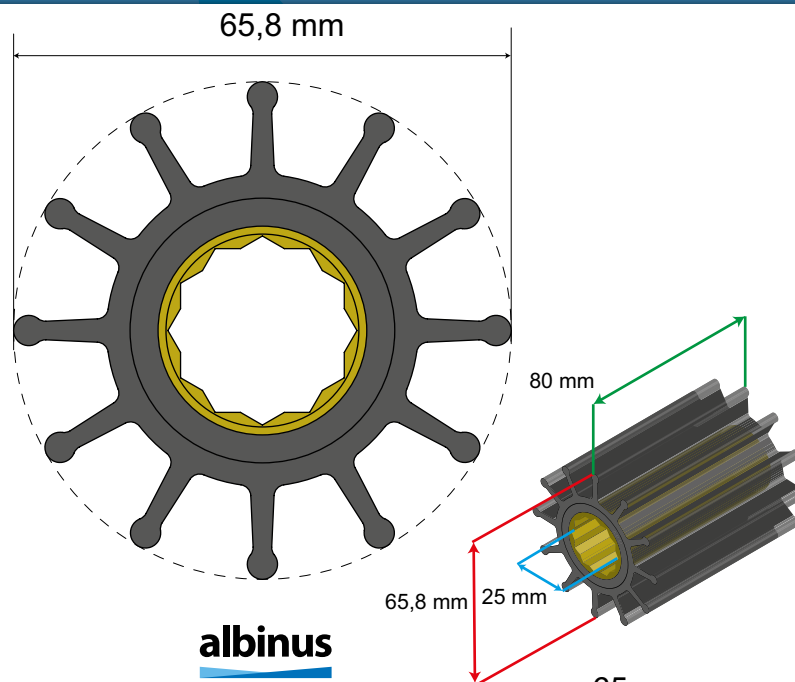
Pleasure Boat Impellers

Part nr. : 06-01-020

Replaces the following impellers:

Johnson	09-821BT-1
Volvo Penta	876771
Yanmar	119574-42550

Kit contains impeller, lubricant and any required O-rings / gaskets

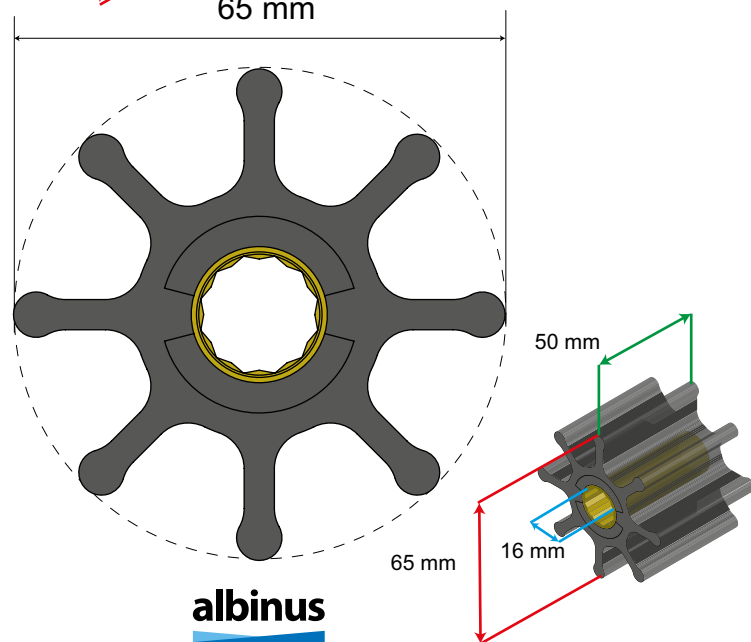


Part nr. : 06-01-021

Replaces the following impellers:

Jabsco	920-0001
Johnson	09-1028B-1
Sherwood	18200K
Volvo Penta	877061
Yanmar	123325-42020

Kit contains impeller, lubricant and any required O-rings / gaskets



Part nr. : 06-01-037

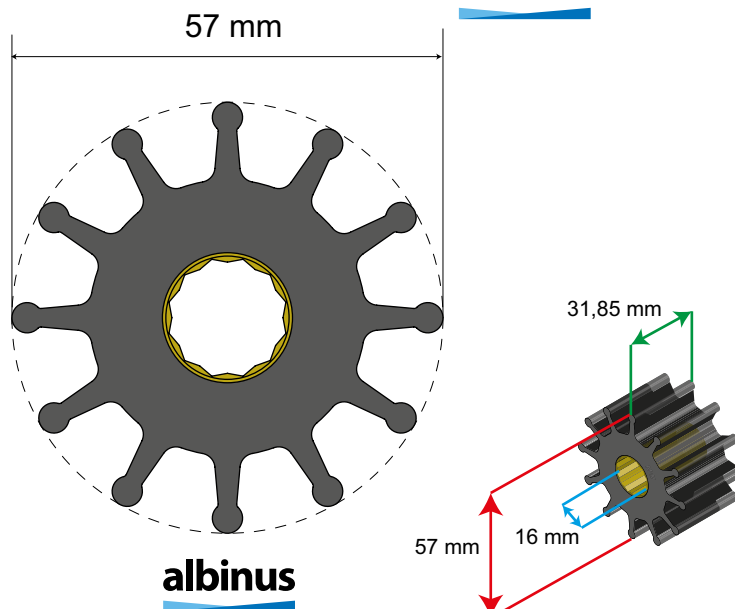
0,35 mm wider than the impeller 06-01-012

Replaces the following:

Johnson	09-1027B-10
Volvo Penta	21213650

Kit contains impeller, lubricant and any required O-rings / gaskets

page 58



Commercial Boat Impellers

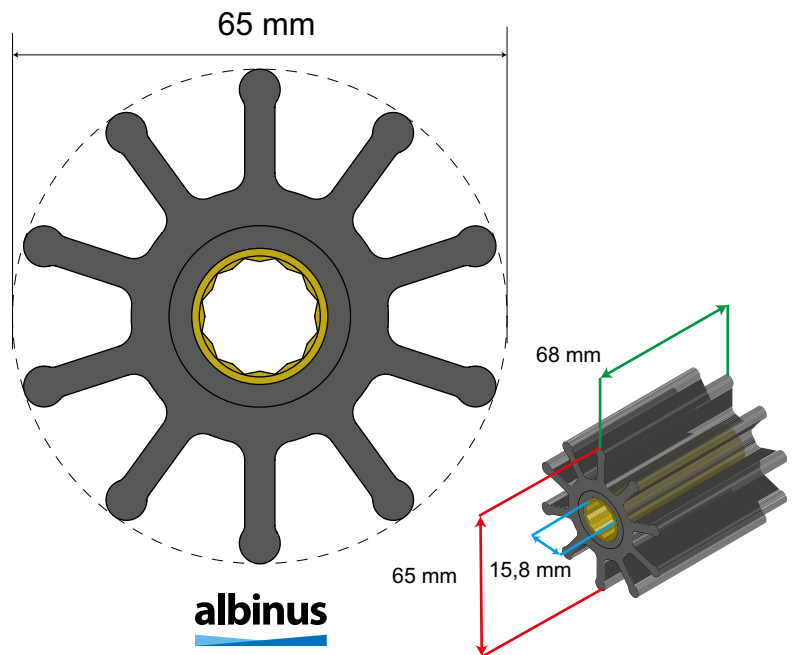
Part nr. : 06-02-022

Replaces the following impellers:

Jabsco 09-821BT-1

JMP 7420-01

Kit contains impeller, lubricant and any required O-rings / gaskets



Part nr. : 06-02-023

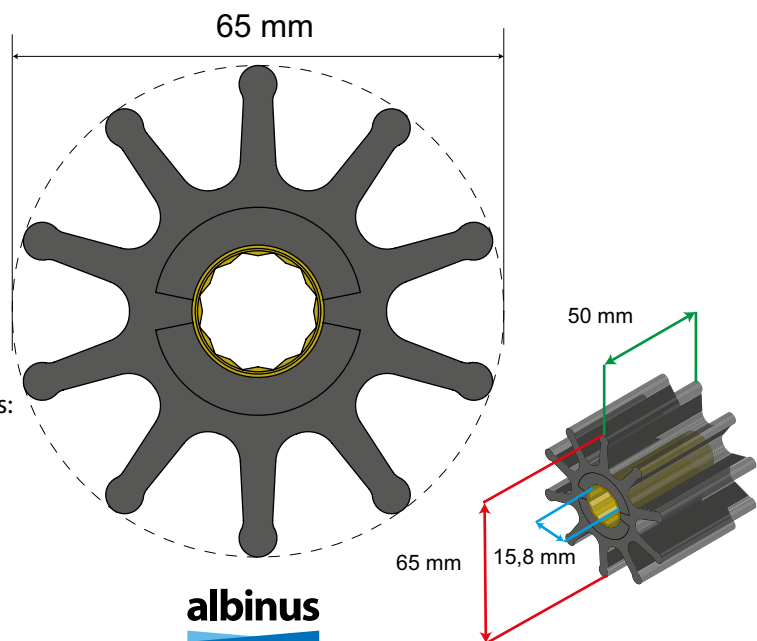
Replaces the following impellers:

Jabsco 17937-0001

JMP 7426-01

Volvo Penta 3588475

Kit contains impeller, lubricant and any required O-rings / gaskets



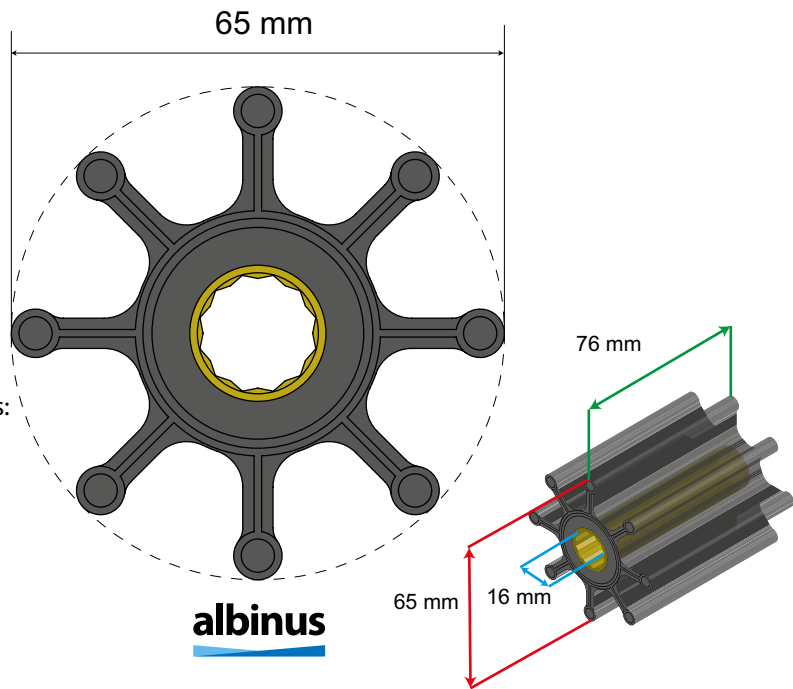
Commercial Boat Impellers

Part nr. : 06-02-024

Replaces the following impellers:

Jabsco	17018-0001
JMP	7446-01
Volvo Penta	3593573

Kit contains impeller, lubricant and any required O-rings / gaskets

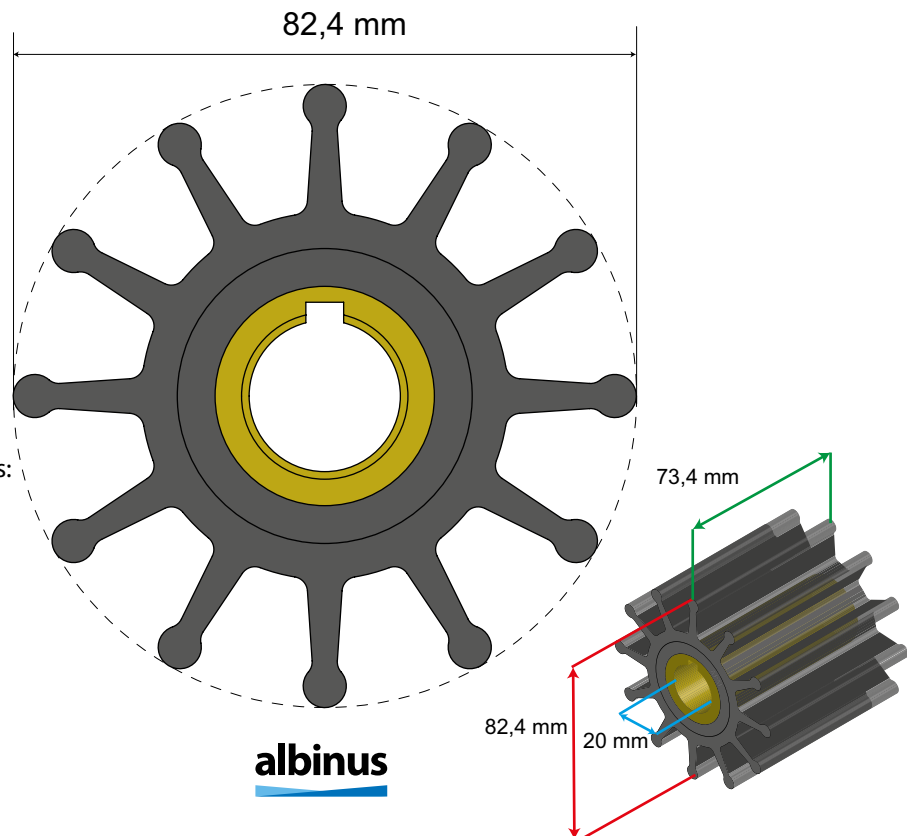


Part nr. : 06-02-025

Replaces the following impellers:

Jabsco	18958-0001
JMP	7600-01
Johnson	09-704BT-1
Sherwood	17000K

Kit contains impeller, lubricant and any required O-rings / gaskets



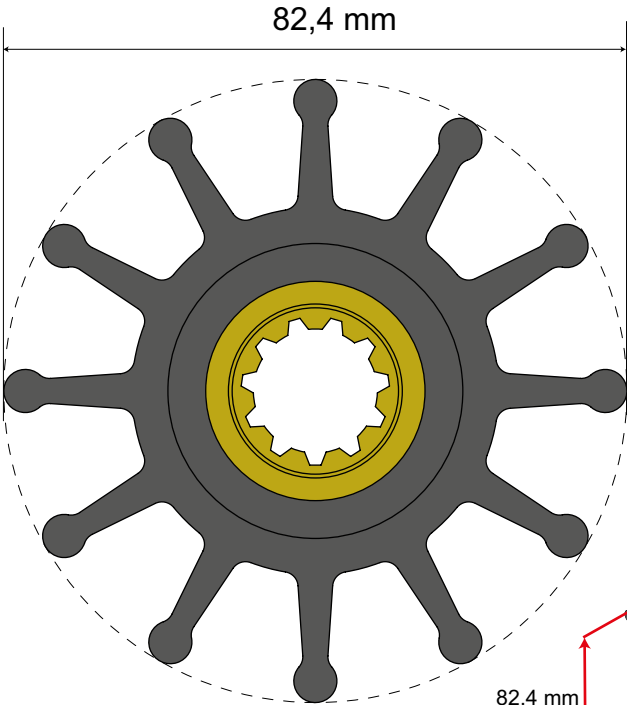
Commercial Boat Impellers

Part nr. : 06-02-026

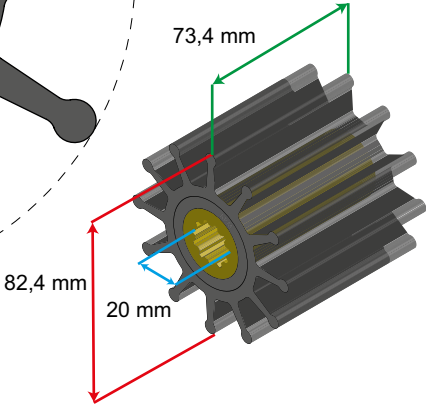
Replaces the following impellers:

- JMP 7608-01
- Sherwood 27000K

Kit contains impeller, lubricant and any required O-rings / gaskets



albinus

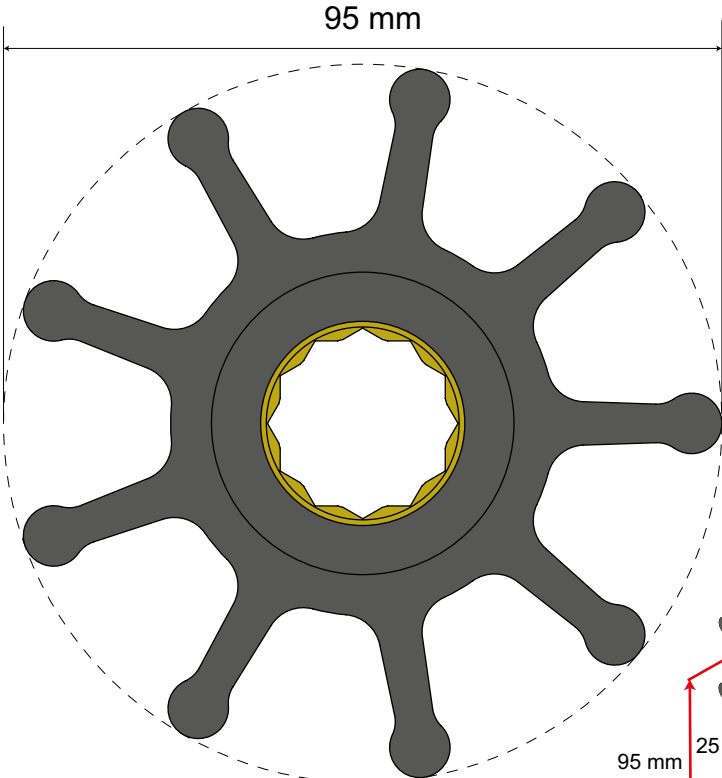


Part nr. : 06-02-027

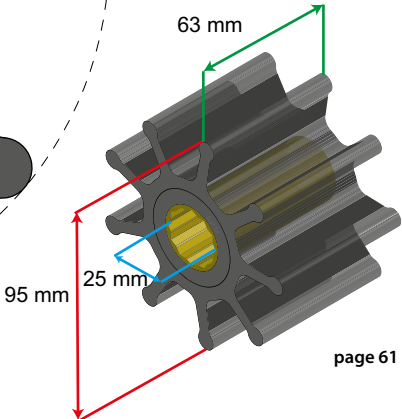
Replaces the following impellers:

- Jabsco 836-0001
- JMP 8000-01
- Johnson 09-1029B

Kit contains impeller, lubricant and any required O-rings / gaskets



albinus



page 61

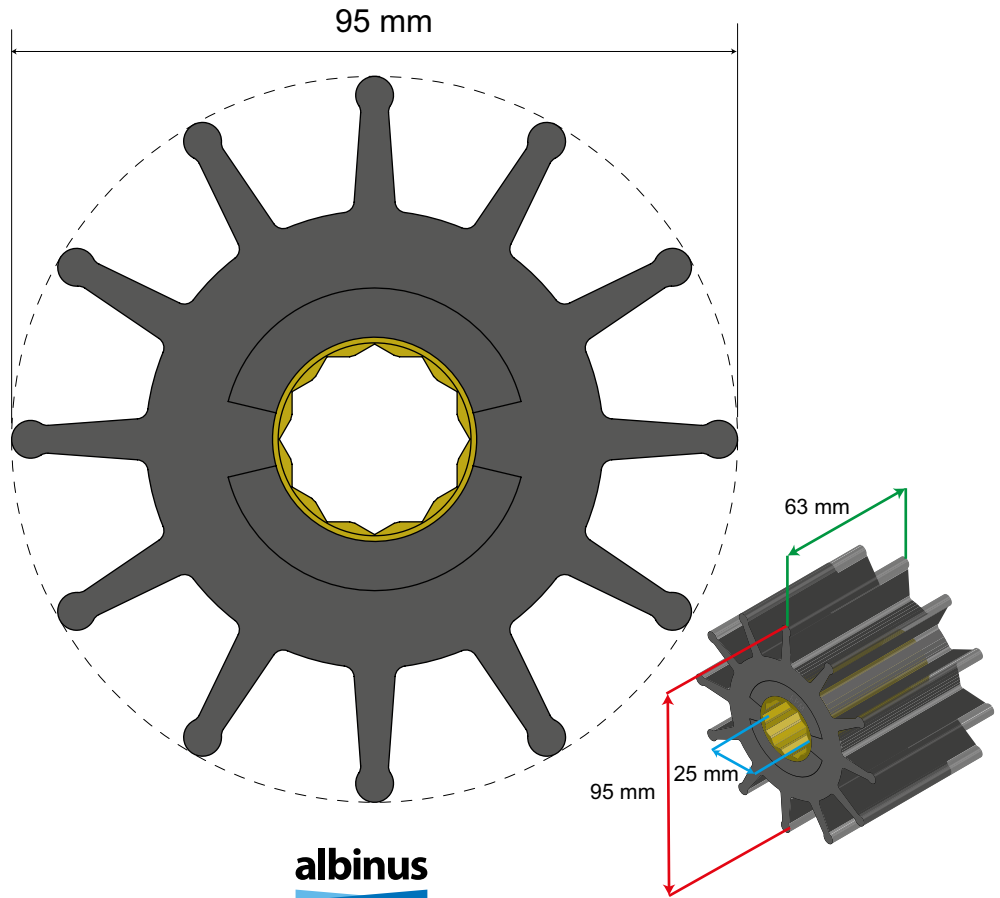
Commercial Boat Impellers

Part nr. : 06-02-028

Replaces the following impellers:

Jabsco	17935-0001
JMP	8100-01
Johnson	09-819B
Volvo Penta	875660

Kit contains impeller, lubricant and any required O-rings / gaskets

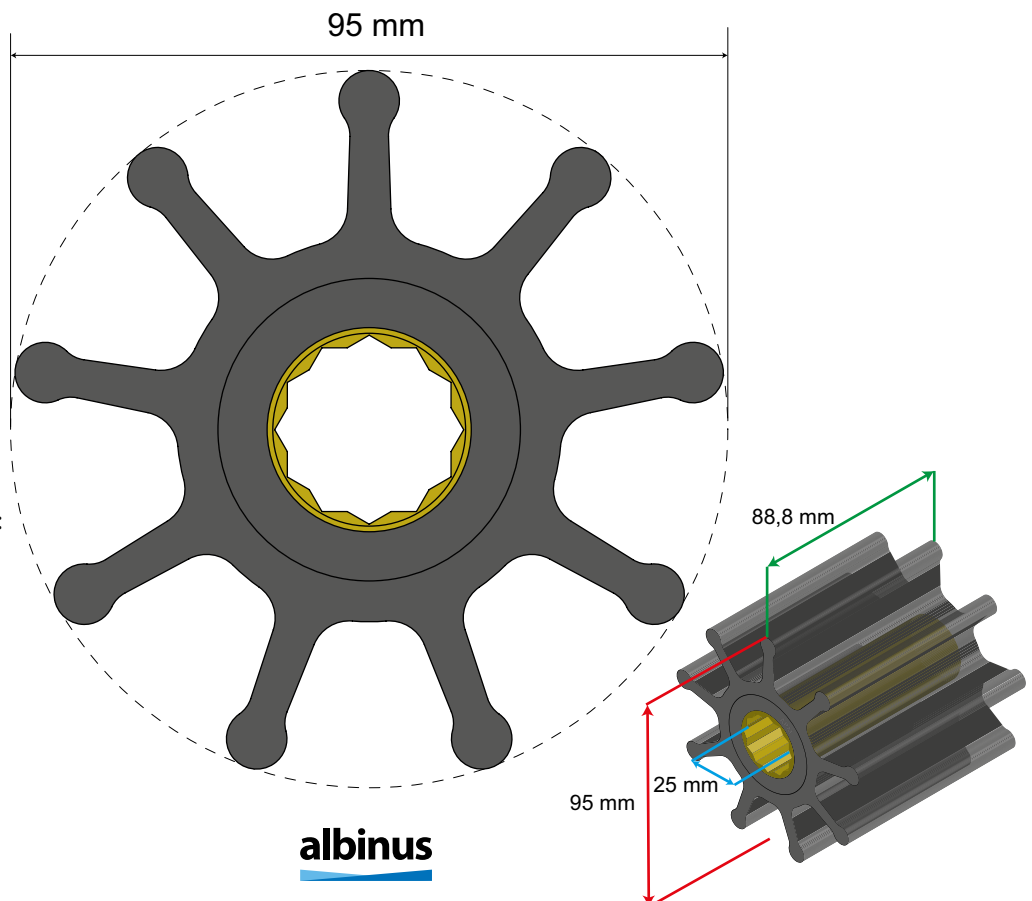


Part nr. : 06-02-029

Replaces the following impellers:

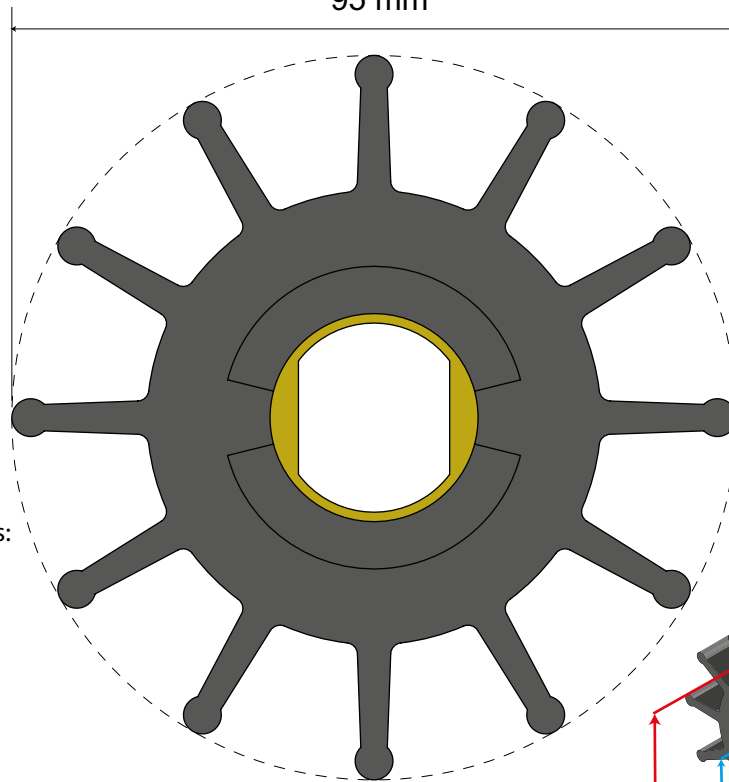
Jabsco	6760-0001
JMP	8200-01
Johnson	09-802B
Volvo Penta	842857
Yanmar	125613-42762

Kit contains impeller, lubricant and any required O-rings / gaskets



Commercial Boat Impellers

95 mm



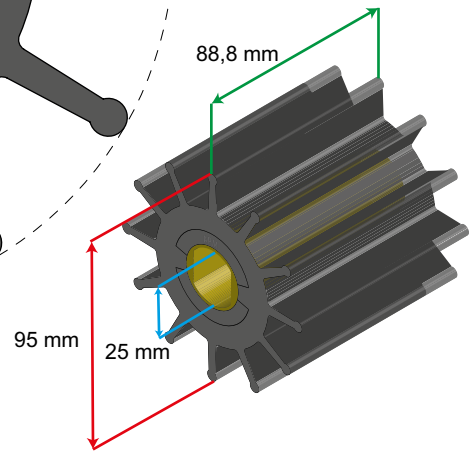
albinus

Part nr. : 06-02-030

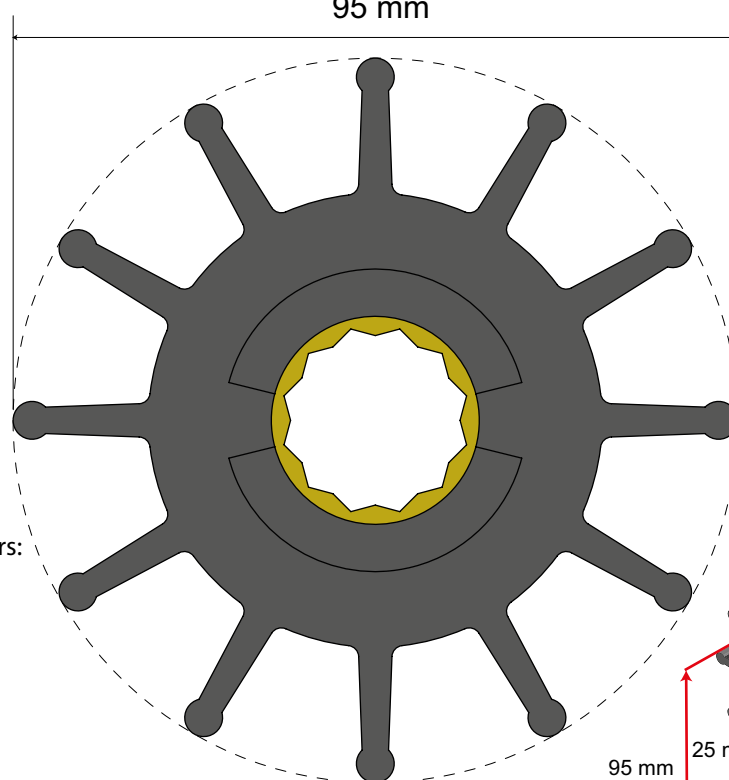
Replaces the following impellers:

Jabsco	17370-0001
JMP	8300-01

Kit contains impeller, lubricant and any required O-rings / gaskets



95 mm



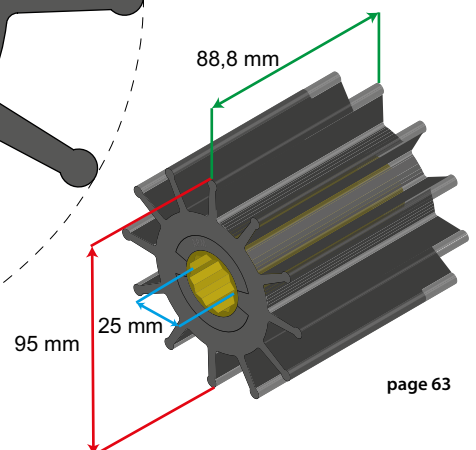
albinus

Part nr. : 06-02-031

Replaces the following impellers:

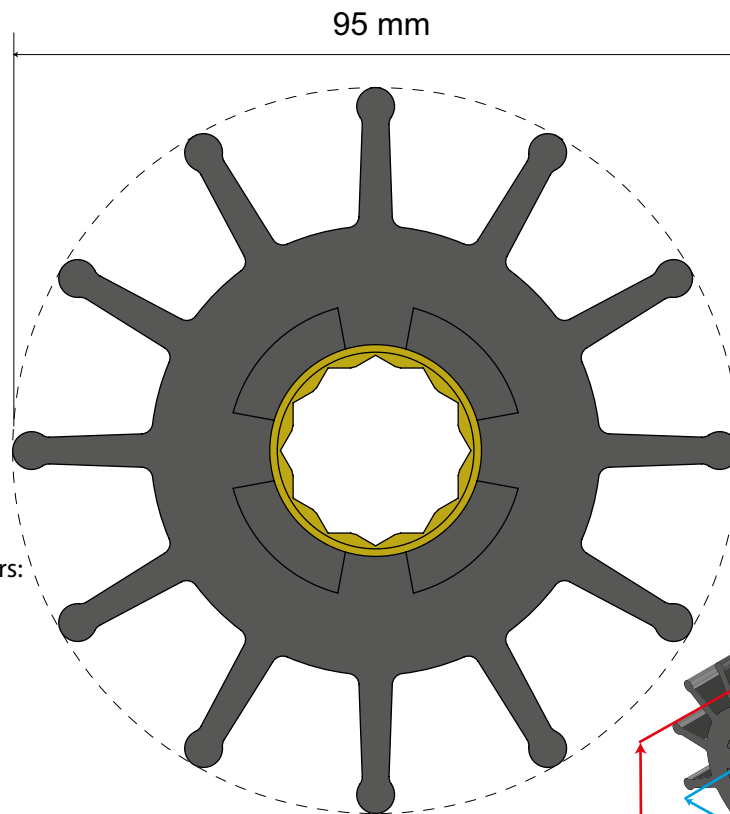
Jabsco	17936-0001
JMP	8301-01
Johnson	09-814B
Volvo Penta	875660

Kit contains impeller, lubricant and any required O-rings / gaskets



page 63

Commercial Boat Impellers



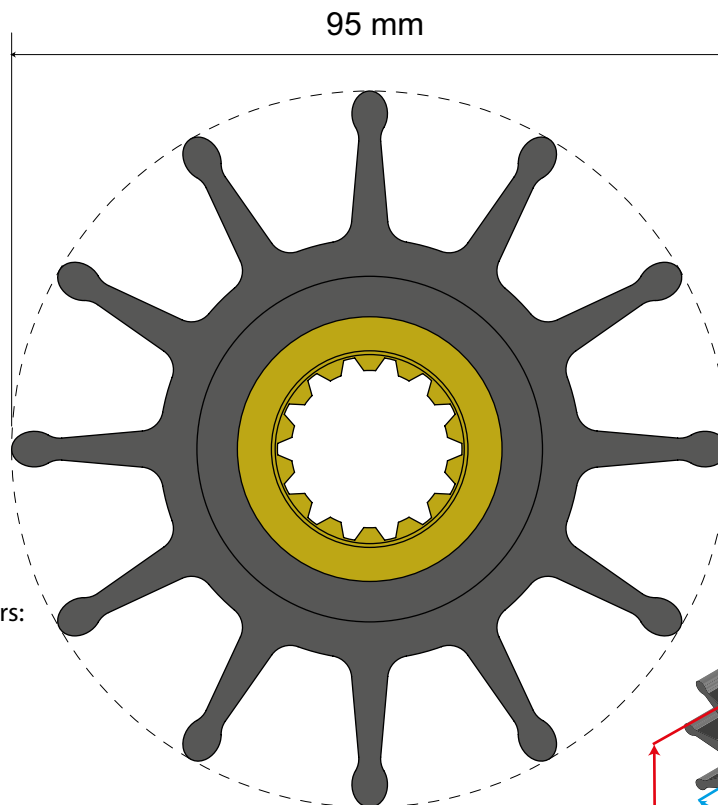
Part nr. : 06-02-032

Replaces the following impellers:

Jabsco	17938-0001
JMP	8326-01
Volvo Penta	3830459

Kit contains impeller, lubricant and any required O-rings / gaskets

albinus



Part nr. : 06-02-033

Replaces the following impellers:

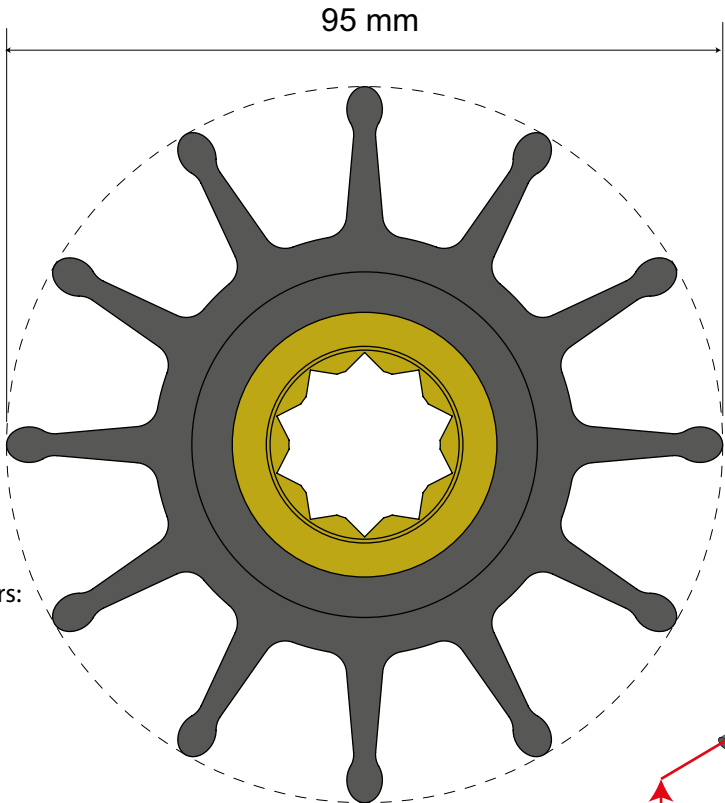
JMP	8350-01
Johnson	09-705BT-01
Sherwood	18000K

Kit contains impeller, lubricant and any required O-rings / gaskets

page 64

albinus

Commercial Boat Impellers

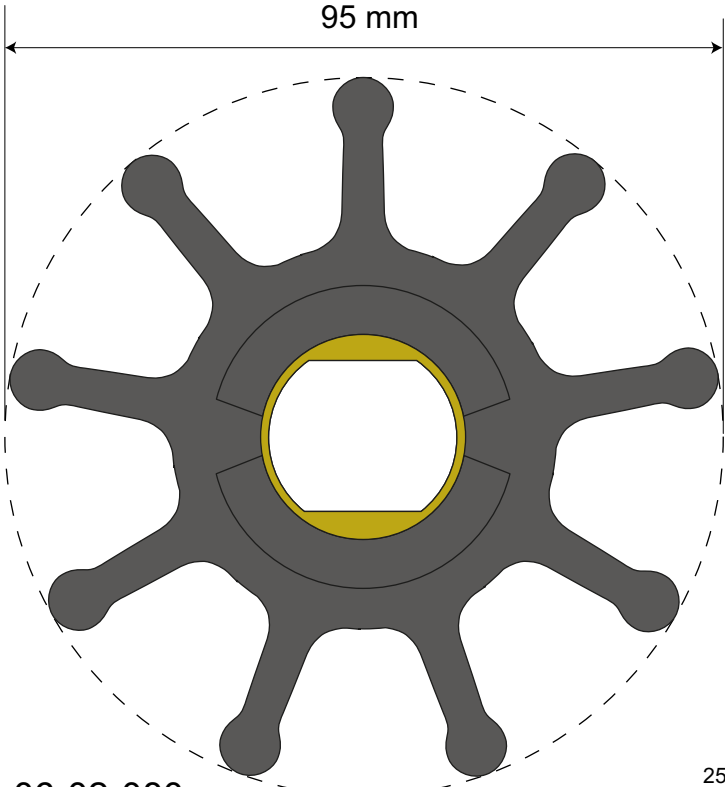
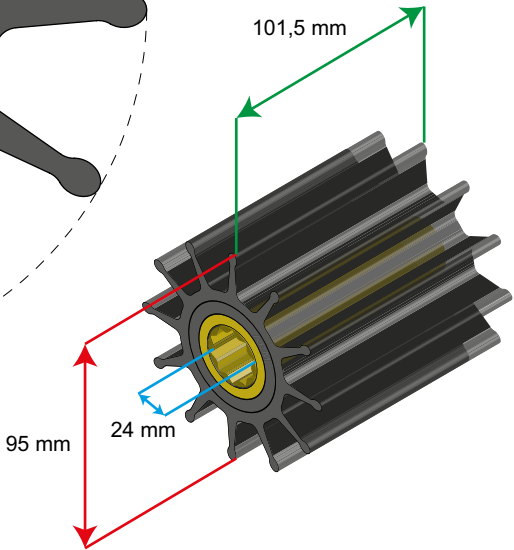


Part nr. : 06-02-034

Replaces the following impellers:

- JMP 8359-01
- Sherwood 29000K

Kit contains impeller, lubricant and any required O-rings/gaskets

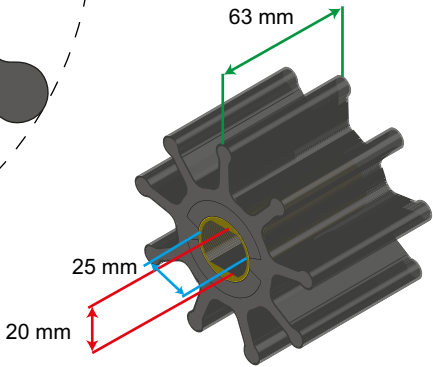


Part nr. : 06-02-080

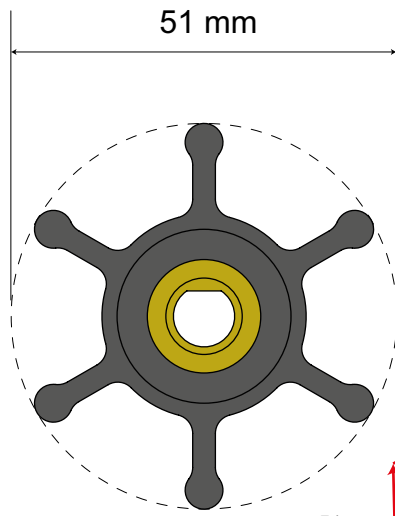
Replaces the following impellers:

- Doosan 60.06804-0003

Kit contains impeller, lubricant and any required O-rings/gaskets



Special Impellers

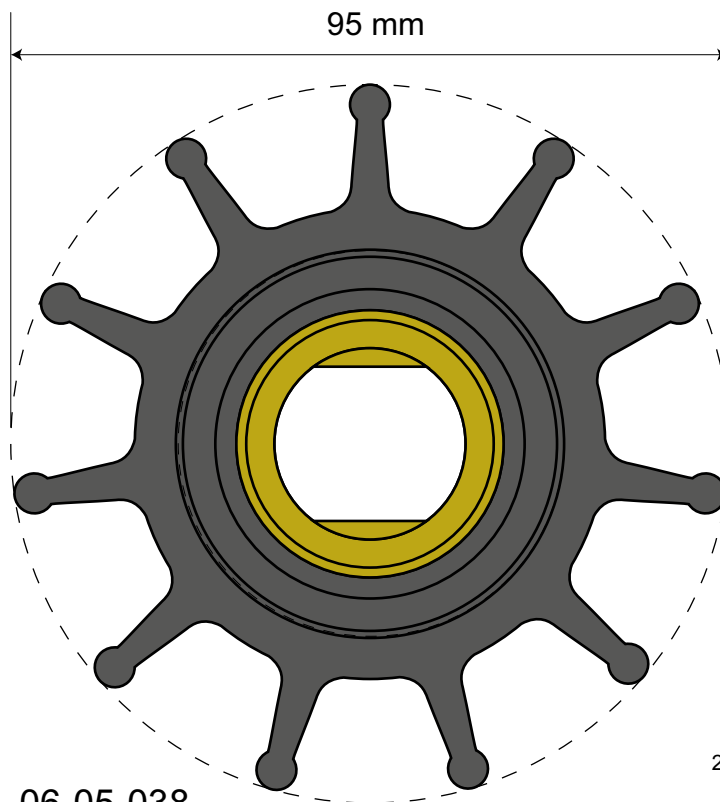
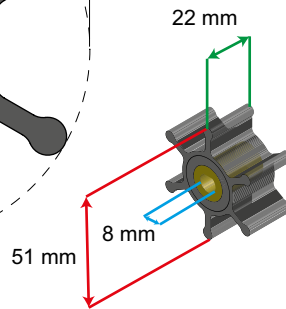


Kit contains impeller, lubricant and any required O-rings / gaskets

albinus

Special Impellers

PN	Description	Replaces the following impellers
06-04-036	Impeller for ballast pump PN 04-04-013 and PN 04-04-014, special material MC19	Johnson 09-824P-1EZ Jabsco 6303-007-P



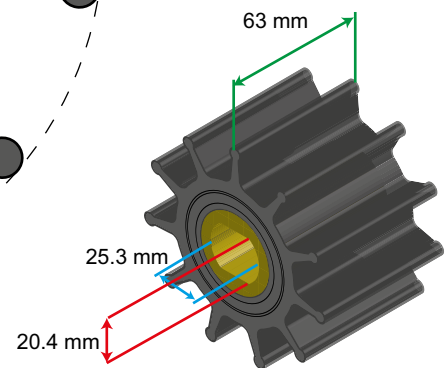
Part nr. : 06-05-038

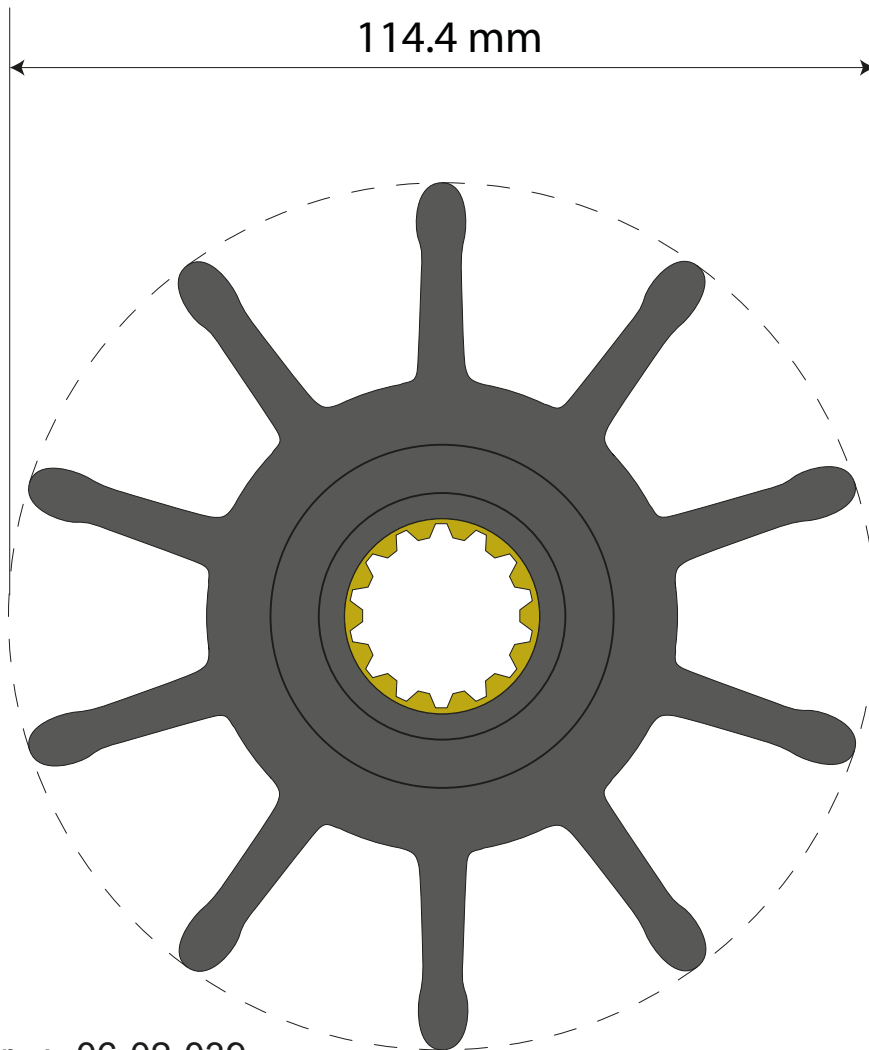
Replaces the following impellers:

Johnson 09-838S
Jabsco 8983-0005

Kit contains impeller, lubricant and any required O-rings / gaskets

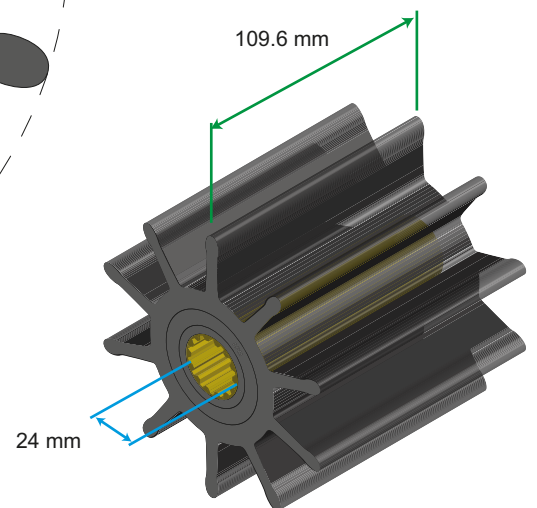
albinus



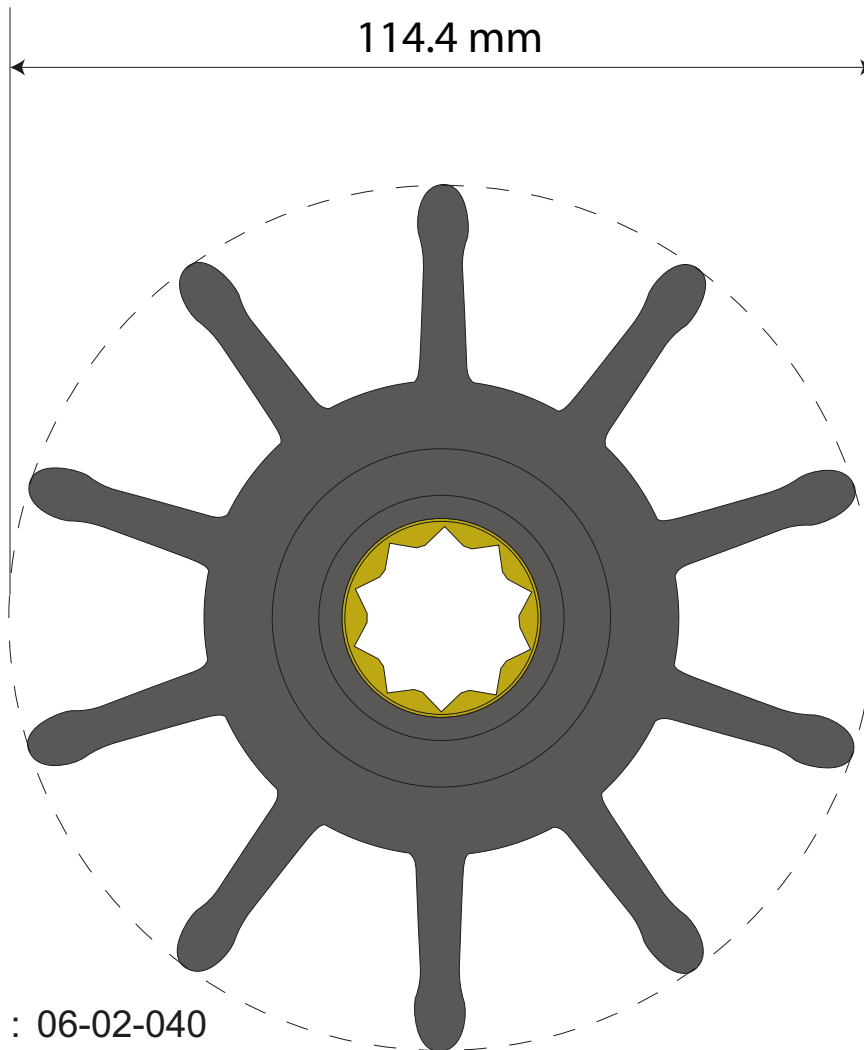


Part nr. : 06-02-039
Replaces the following impellers:
Sherwood 22000, 22000K

albinus



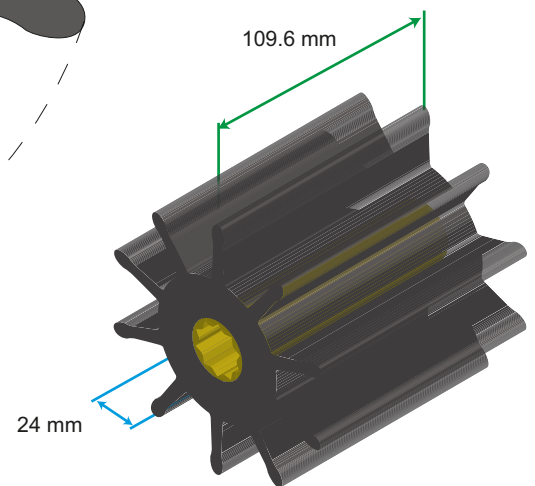
Kit contains impeller, lubricant and any required O-rings / gaskets



Part nr. : 06-02-040

Replaces the following impellers:

Sherwood	3000, 3000K
Catepillar	3228595



Kit contains impeller, lubricant and any required O-rings/gaskets

Premium Outboard Impellers

Albinus offers a wide range of Copolymer, high quality, replacement impellers for most outboard engines. In the tables below are listed the CEF and Sierra impeller equivalents, as well as the outboard engine reference.



Albinus Premium Outboard Impeller PN	CEF PN	Sierra PN	Engine Reference
06-03-042	500377	18-3098	Mercury / Mariner / Mercruiser 47-16154-3 Nissan / Tohatsu 369-65021-1



Albinus Premium Outboard Impeller PN	CEF PN	Sierra PN	Engine Reference
06-03-043	500325	18-3073	Mercury / Mariner / Mercruiser 47-96305M Yamaha 6E0-44352-00



Albinus Premium Outboard Impeller PN	CEF PN	Sierra PN	Engine Reference
06-03-044	500354	18-3091	Johnson / Evinrude 389576/436137



Albinus Premium Outboard Impeller PN	CEF PN	Sierra PN	Engine Reference
06-03-045	500332	18-3015	Johnson / Evinrude 433915/433935/396852



Albinus Premium Outboard Impeller PN	CEF PN	Sierra PN	Engine Reference
06-03-046	500318	18-3062	Chrysler / Force 47-42038-2 Mercury / Mariner / Mercruiser 47-42038-2



Albinus Premium Outboard Impeller PN	CEF PN	Sierra PN	Engine Reference
06-03-047	500336	18-3097	Suzuki 17461-98501/02/03



Albinus Premium Outboard Impeller PN	CEF PN	Sierra PN	Engine Reference
06-03-048	500321	18-3063	Mercury / Mariner / Mercruiser 47-95611M Yamaha 662-44352-01

page 69

Premium Outboard Impellers



Albinus Premium Outboard Impeller PN	CEF PN	Sierra PN	Engine Reference
06-03-049	500312	18-3007	Mercury / Mariner / Mercruiser 47-89983 Suzuki 17461-95201



Albinus Premium Outboard Impeller PN	CEF PN	Sierra PN	Engine Reference
06-03-050	500302	18-3066	Mercury / Mariner / Mercruiser 47-11590M Yamaha 6G1-44352-00



Albinus Premium Outboard Impeller PN	CEF PN	Sierra PN	Engine Reference
06-03-051	500355	18-3050	Johnson / Evinrude 386084



Albinus Premium Outboard Impeller PN	CEF PN	Sierra PN	Engine Reference
06-03-052	500363	18-3040	Yamaha 63V-44352-01



Albinus Premium Outboard Impeller PN	CEF PN	Sierra PN	Engine Reference
06-03-053	500350	18-3001	Johnson / Evinrude 277181/434424



Albinus Premium Outboard Impeller PN	CEF PN	Sierra PN	Engine Reference
06-03-054	500301	18-3056	Mercury / Mariner / Mercruiser 47-43026-T2 Honda 19210-ZW1-003/303 Chrysler / Force 47-43026-2



Albinus Premium Outboard Impeller PN	CEF PN	Sierra PN	Engine Reference
06-03-055	500316	18-3069	Mercury / Mariner / Mercruiser 47-81423M / 47-97108M Yamaha 6H3-44352-00 / 697-44352-00

Premium Outboard Impellers



Albinus Premium Outboard Impeller PN	CEF PN	Sierra PN	Engine Reference
06-03-056	500344	18-8920	Nissan / Tohatsu 3B2-65021-1



Albinus Premium Outboard Impeller PN	CEF PN	Sierra PN	Engine Reference
06-03-057	500315	18-3057	Chrysler / Force 47-85089-3 Mercury / Mariner / Mercruiser 47-85089-3



Albinus Premium Outboard Impeller PN	CEF PN	Sierra PN	Engine Reference
06-03-058	500310	18-3039	Mercury / Mariner / Mercruiser 47-89981



Albinus Premium Outboard Impeller PN	CEF PN	Sierra PN	Engine Reference
06-03-059	500327	18-3245	Honda 19210-881-003/A01



Albinus Premium Outboard Impeller PN	CEF PN	Sierra PN	Engine Reference
06-03-060	500358	18-3090	Johnson / Evinrude 387361/763735



Albinus Premium Outboard Impeller PN	CEF PN	Sierra PN	Engine Reference
06-03-061	500348	18-32455	Honda 19210-ZW9-A32



Albinus Premium Outboard Impeller PN	CEF PN	Sierra PN	Engine Reference
06-03-062	500322	18-8911	Yamaha 6L5-44352-00

Premium Outboard Impellers



Albinus Premium Outboard Impeller PN	CEF PN	Sierra PN	Engine Reference
06-03-063	500314	18-3054	Mercury / Mariner / Mercruiser 47-89980



Albinus Premium Outboard Impeller PN	CEF PN	Sierra PN	Engine Reference
06-03-064	500326	18-3067	Mercury / Mariner / Mercruiser 47-84797M Yamaha 689-44352-02



Albinus Premium Outboard Impeller PN	CEF PN	Sierra PN	Engine Reference
06-03-065	500352	18-3088	Yamaha 6F5-44352-00 / 676-44352-00



Albinus Premium Outboard Impeller PN	CEF PN	Sierra PN	Engine Reference
06-03-066	500383	18-8921	Nissan / Tohatsu 334-65021-0



Albinus Premium Outboard Impeller PN	CEF PN	Sierra PN	Engine Reference
06-03-067	500320	18-3074	Mercury / Mariner / Mercruiser 47-84027M Yamaha 682-44352-01



Albinus Premium Outboard Impeller PN	CEF PN	Sierra PN	Engine Reference
06-03-068	500362	18-3096	Suzuki 17461-96301/11/12



Albinus Premium Outboard Impeller PN	CEF PN	Sierra PN	Engine Reference
06-03-069	500385	18-3068	Yamaha 6H4-44352-02

Premium Outboard Impellers



Albinus Premium Outboard Impeller PN	CEF PN	Sierra PN	Engine Reference
06-03-070	500370	18-3051	Johnson / Evinrude 395289



Albinus Premium Outboard Impeller PN	CEF PN	Sierra PN	Engine Reference
06-03-071	500338	18-3248	Honda 19210-ZV5-003



Albinus Premium Outboard Impeller PN	CEF PN	Sierra PN	Engine Reference
06-03-072	500382	18-8923	Nissan / Tohatsu 345-65021-0



Albinus Premium Outboard Impeller PN	CEF PN	Sierra PN	Engine Reference
06-03-073	500351	18-3002	Johnson / Evinrude 375638/775518



Albinus Premium Outboard Impeller PN	CEF PN	Sierra PN	Engine Reference
06-03-074	500329	18-3099	Suzuki 17461-93901/02/03



Albinus Premium Outboard Impeller PN	CEF PN	Sierra PN	Engine Reference
06-03-075	500371	18-3071	Yamaha 6E5-44352-01



Albinus Premium Outboard Impeller PN	CEF PN	Sierra PN	Engine Reference
06-03-076	500323	18-3070	Yamaha 688-44352-03

Premium Outboard Impellers



Albinus Premium Outboard Impeller PN	CEF PN	Sierra PN	Engine Reference
06-03-077	N/A	N/A	Yamaha 6G0-44352-00



Albinus Premium Outboard Impeller PN	CEF PN	Sierra PN	Engine Reference
06-03-078	N/A	N/A	Yamaha 655-44352-09



Albinus Premium Outboard Impeller PN	CEF PN	Sierra PN	Engine Reference
06-03-079	500324	18-3072	Mercury / Mariner / Mercruiser 47-80395M Yamaha 646-44352-01

Impeller Tools



Out-Peller Universal Tool

Impeller removal tool

- For most common impeller sizes
- Very durable impeller proven to work

PN	Description
06-03-035	Impeller removal tool



In-Peller Tool

Complete impeller insert kit for most common impeller sizes. Makes fitting the impeller in the pump body very easy, especially in tight spaces by using only one hand. A must for any professional engine mechanic

- 5 different insert tools with diameter 40 mm, 51 mm, 57 mm, 65 mm and 95 mm

PN	Description
06-03-036	Impeller insertion tools



07_Marine Toilets

A wide range of marine toilets to meet every installation situation onboard. Manual and electric operation in four different sizes: compact low, compact, comfort and premium. All bowls are made of white vitreous porcelain with corrosion resistant parts throughout. The design is appealing and functional, easy to maintain and clean. A wide selection of conversion kits can transform your manual model to electric or silent electric. 2 years limited warranty.

Manual Toilets.....	76
Standard Electric Toilets.....	77
Silent Electric Toilets.....	78
Silent Premium Toilets	79
Toilet Installation	80
Accessories / Spare Parts	82
Spare Parts Schematics	94



Manual Toilets

The world's best selling design for ease of service in restricted spaces. Highest standards of performance, reliability, noise level and design. All bowls are made of white vitreous porcelain with corrosion resistant parts throughout.

- Appealing and functional design
- Easy to maintain and clean
- Albinus toilets come with a stable base for robust installation, plug & play/ interchangeable with other manual toilet models
- Port connections: inlet 19 mm (¾"), outlet 38 mm (1½")
- Manual ergonomic flush pump with handle that can be mounted on left or right side
- Manual pump with Lock & Unlock settings to prevent movement when not in use or leaving waste pump in open position

The Albinus Manual Marine Toilets are available in three designs:

Compact

Compact size with lower bowl height; white wooden seat

Comfort

Regular size bowl; white thermoplastic soft-close seat

Compact Low

Extra compact size – the most compact manual water toilet model available; smallest and lightest on the market. For tight spaces in smaller boats this model still makes it possible having the comfort of a water toilet onboard; white wooden seat



Manual Compact

PN	Design	Ports	Dimensions W x D x H	Weight	Replaces
07-01-001	Compact, lower height bowl; white wooden seat	inlet 19 mm (¾"), outlet 38 mm (1½")	450 x 425 x 345 mm (17.7 x 16.7 x 13.6 in) height with seat open: 650 mm (25.6 in)	9.6 kg 21 lbs	Johnson Pump 80-47229-01 Jabsco 29090-3000

Manual Comfort

PN	Design	Ports	Dimensions W x D x H	Weight	Replaces
07-01-002	Comfort, regular height bowl; white thermoplastic soft-close seat	inlet 19 mm (¾"), outlet 38 mm (1½")	470 x 490 x 340 mm (18.5 x 19.3 x 13.4 in) height with seat open: 705 mm (27.8 in)	11 kg 24 lbs	Johnson Pump 80-47230-01 Jabsco 29120-3000

Manual Compact Low

PN	Design	Ports	Dimensions W x D x H	Weight	Replaces
07-01-003	Extra Compact, white wooden seat	inlet 19 mm (¾"), outlet 38 mm (1½")	450 x 425 x 310 mm (17.7 x 16.7 x 12.2 in) height with seat open: 610 mm (24 in)	8.5 kg 19 lbs	Johnson Pump 80-47625-01

The world's best selling design for ease of service in restricted spaces. Highest standards of performance, reliability, noise level and design. All bowls are made of white vitreous porcelain with corrosion resistant parts throughout.

- Combined electrical 12V or 24V macerator and pump for waste disposal and flushing in one single operation
- One touch electrical control panel
- Appealing and functional design
- Easy to maintain and clean
- Albinus toilets come with a stable base for robust installation, plug & play/ interchangeable with other single operated or dual cycle electrical toilet models
- Port connections: inlet 19 mm (¾"), outlet 25 mm or 38 mm (1" or 1½")

The Albinus Standard Electric Marine Toilets are available in four designs:

Compact:

Compact size with lower bowl height; white wooden seat

Comfort:

Regular size bowl; white thermoplastic soft-close seat

Compact Low:

Extra compact size – smallest and lightest on the market, white wooden seat

Design:

Robust, stable and compact with a preferred appearance like a home toilet.

EVO Compact Standard Electric

PN	Design	Ports	Voltage	Fuse	Dimensions W x D x H	Weight	Replaces
07-02-004	Compact, lower height bowl; white wooden seat	inlet 19 mm (¾"), outlet 25 mm or 38 mm (1" or 1½")	12V	17 A	345 x 480 x 345 mm (13.6 x 18.9 x 13.6 in) height with seat open: 690 mm (27.2 in)	9.5 kg 21 lbs	Johnson Pump 80-47435-01 Jabsco 37010-0090
07-02-005			24V	8 A			Johnson Pump 80-47435-02 Jabsco 37010-0096

EVO Comfort Standard Electric

PN	Design	Ports	Voltage	Fuse	Dimensions W x D x H	Weight	Replaces
07-02-006	Comfort, regular height bowl; white thermoplastic soft-close seat	inlet 19 mm (¾"), outlet 25 mm or 38 mm (1" or 1½")	12V	17 A	470 x 500 x 340 mm (18.5 x 19.7 x 13.4 in) height with seat open: 705 mm (27.8 in)	11 kg 24 lbs	Johnson Pump 80-47436-01 Jabsco 37010-1090
07-02-007			24V	8 A			Johnson Pump 80-47436-02 Jabsco 37010-1096

EVO Compact Low Standard Electric

PN	Design	Ports	Voltage	Fuse	Dimensions W x D x H	Weight	Replaces
07-02-008	Extra Compact; white wooden seat	inlet 19 mm (¾"), outlet 25 mm or 38 mm (1" or 1½")	12V	17 A	345 x 480 x 310 mm (13.6 x 18.9 x 12.2 in) height with seat open: 610 mm (24 in)	9.2 kg 20 lbs	Johnson Pump 80-47626-01
07-02-009			24V	8 A			

Design Standard Electric

PN	Design	Ports	Voltage	Fuse	Dimensions W x D x H	Weight
07-02-043	Single operation; white wooden seat	inlet 19 mm (¾"), outlet 25 mm or 38 mm (1" or 1½")	12V	24 A	345 x 410 x 400 mm (13.6 x 16.1 x 15.8 in) height with seat open: 720 mm (28.8 in)	18 kg 40 lbs
07-02-044			24V	12 A		

Standard Electric Toilets



Silent Electric Toilets

The world's best selling design for ease of service in restricted spaces. Highest standards of performance, reliability, noise level and design. All bowls are made of white vitreous porcelain with corrosion resistant parts throughout.

- Separated flushing and waste disposal cycle
- Rocker switch control panel; selects normal flush cycle, raises & lower water level in bowl as required
- Water is from existing pressurized water system onboard with solenoid valve (12V: PN 07-66-030, 24V: PN 07-66-031) or flush pump (12V: PN 07-66-032, 24V: PN 07-66-033) – not included
- Silent operation and low water consumption
- Appealing and functional design
- Easy to maintain and clean
- Albinus toilets come with a stable base for robust installation, plug & play/ interchangeable with other single operated or dual cycle electrical toilet models
- Port connections: inlet 19 mm (¾"), outlet 25 mm or 38 mm (1" or 1½")

The Albinus Silent Electric Marine Toilets are available in three designs:

Compact:

Compact size with lower bowl height; white wooden seat

Comfort:

Regular size bowl; white thermoplastic soft-close seat

Design:

Robust, stable and compact with a preferred appearance like a home toilet.



Compact Silent Electric

PN	Design	Ports	Voltage	Fuse	Dimensions W x D x H	Weight	Replaces
07-03-010	Compact, lower height bowl; white wooden seat	inlet 19 mm (¾"), outlet 25 mm or 38 mm (1" or 1½")	12V	17 A	345 x 420 x 390 mm (13.6 x 16.5 x 15.4 in) height with seat open: 700 mm (27.6 in)	9.2 kg 20 lbs	Johnson Pump 80-47231-01 Jabsco 37045-0092
07-03-011			24V	8 A			Johnson Pump 80-47231-02 Jabsco 37045-0094

Comfort Silent Electric

PN	Design	Ports	Voltage	Fuse	Dimensions W x D x H	Weight	Replaces
07-03-012	Comfort, regular height bowl; white thermoplastic soft-close seat	inlet 19 mm (¾"), outlet 25 mm or 38 mm (1" or 1½")	12V	17 A	470 x 490 x 385 mm (18.5 x 25.4 x 15.2 in) height with seat open: 755 mm (29.7 in)	10.8 kg 24 lbs	Johnson Pump 80-47232-01 Jabsco 37045-1092
07-03-013			24V	8 A			Johnson Pump 80-47232-02 Jabsco 37045-1094

Design Silent Electric

PN	Design	Ports	Voltage	Fuse	Dimensions W x D x H	Weight
07-03-045	Dual cycle; white wooden seat	inlet 19 mm (¾"), outlet 25 mm or 38 mm (1" or 1½")	12V	19 A	340 x 410 x 405 mm (13.6 x 16.1 x 15.8 in) height with seat open: 720 mm (28.8 in)	18 kg 40 lbs
07-03-046			24V	10 A		

The world's best selling design for ease of service in restricted spaces. Highest standards of performance, reliability, noise level and design. All bowls are made of white vitreous porcelain with corrosion resistant parts throughout.

- Separated flushing and waste disposal cycle
- Electronic 3 function control panel: before use, after use and short use plus a trimmer to regulate the flow rate
- Premium white varnished wood Luxury Premium softclose seat with stainless steel hinges
- Water is from existing pressurized water system onboard with solenoid valve (Premium valve 12V: PN 07-66-035; Bronze valves 12V: PN 07-66-030, 24V: PN 07-66-031) or flush pump (12V: PN 07-66-032, 24V: PN 07-66-033) – not included
- Very silent operation and maximized comfort; low water consumption
- Appealing and functional design
- Easy to maintain and clean
- Albinus toilets come with a stable base for robust installation, plug & play/ interchangeable with other single operated or dual cycle electrical toilet models
- Port connections: inlet 19 mm (¾"), outlet 25 mm or 38 mm (1" or 1½")

The Albinus Silent Premium Electric Marine Toilets are available in two designs:

Premium:

Standard height luxury toilet with robust, stable with a preferred premium appearance like a home toilet

Premium Low:

Lower height luxury toilet with robust, stable with a preferred premium appearance like a home toilet

Silent Premium Electric

PN	Design	Ports	Voltage	Fuse	Dimensions W x D x H	Weight	Replaces
07-04-014	standard height; white varnished wood Luxury Premium softclose seat with stainless steel hinges	inlet 19 mm (¾"), outlet 25 mm or 38 mm (1" or 1½")	12V	30 A	365 x 455 x 455mm (14.4 x 17.9 x 17.9 in) height with seat open: 860mm (33.9 in)	21 kg 46 lbs	premium/ luxury models from Jabsco, Dometic, Tecma
07-04-015			24V	16 A			

Silent Premium Low Electric

PN	Design	Ports	Voltage	Fuse	Dimensions W x D x H	Weight	Replaces
07-04-016	lower height; white varnished wood Luxury Premium softclose seat with stainless steel hinges	inlet 19 mm (¾"), outlet 25 mm or 38 mm (1" or 1½")	12V	30 A	365 x 455 x 385 mm (14.4 x 17.9 x 15.2 in) height with seat open: 720mm (27.8 in)	20 kg 44 lbs	premium/ luxury models from Jabsco, Dometic, Tecma
07-04-017			24V	16 A			

Silent Premium Toilets



Installation Manual Toilets

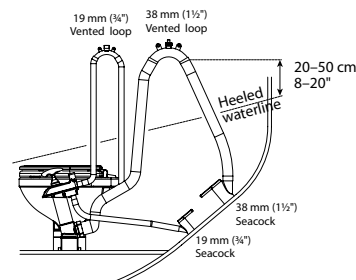
If the toilet is connected to any through-hull fitting and if the rim of the bowl falls below the waterline, for example during heavy seas, there is the risk of water flooding in, causing the boat to sink, which may result in loss of life. Therefore, if the rim of the toilet is less than 20 cm (8") above the waterline when the craft is at rest, or if there is any possibility that the rim of the bowl may be below the waterline at ANY time, a vented loop MUST be fitted in any pipework connected to a through-hull fitting, irrespective of whether inlet or discharge. The loop must be vented to avoid the siphoning of water back into the boat through the toilet.

Toilet below waterline or below holding tank

Inlet: 19 mm (3/4") Vented Loop fitting

- Run the inlet hose by the most direct way to the toilet flushing pump inlet connection
- Remove the white hose supplied with the toilet which connects the flushing pump outlet tail to the bowl elbow - using a spanner, rotate the intake seal so that the elbow points upwards - replace the white hose with a longer length of 19 mm (3/4") internal diameter hose

and position it in a way so that its point is 20–50 cm (8–20") above the highest possible waterline and fit the vented loop at that highest point. Caution: DO NOT POSITION THE VENTED LOOP BETWEEN THE INLET SEACOCK AND THE FLUSHING PUMP INLET, as it will make the flushing pump difficult or harder to prime, and could prevent it from working at all.



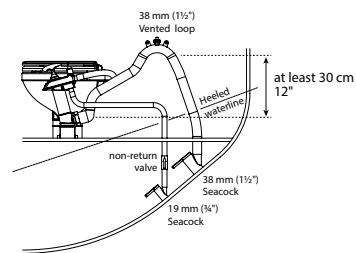
Discharge: 25 mm (1") or 38 mm (1 1/2") Vented Loop fitting Mounting

- Arrange the discharge hose, so that its highest point is 20–50 cm (8–20") above the waterline or the highest level of the holding tank, and fit the vented loop at the highest point.
- Run the discharge hose from the toilet to the vented loop
- Run the discharge hose from the vented loop to the seacock or holding tank

Toilet above waterline or above holding tank

Inlet: 19 mm hose

- Run the inlet hose by the most direct route from the inlet seacock to a non-return valve.
- Run the inlet hose from the non-return valve to the flushing pump inlet connection.
- For convenience of use, install an in-line non-return valve next to the inlet seacock which will ensure that the pump stays primed in between usages.



Discharge: 25 mm (1") or 38 mm (1 1/2") hose

- Rise the discharge hose at least 30 cm (12") above the discharge elbow and fit a vented loop at its highest point - this will help to retain water in the bowl.
- Connect discharge hose connection on the toilet to the seacock or holding tank.

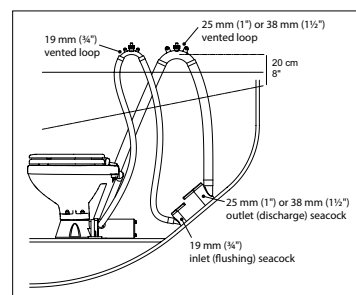
Toilet below waterline or below holding tank

Inlet: 19 mm (3/4") Vented Loop fitting

- The vented loop must be positioned it in a way that its point is at least 20 cm (8") above the highest possible waterline
- Run the inlet hose by the most direct way from the inlet seacock to the vented loop
- Run the inlet hose by the most direct way from the vented loop to toilet flushing pump inlet connection.

Discharge: 25 mm (1") or 38 mm (1 1/2") Vented Loop fitting Mounting

- Arrange the discharge hose, so that its highest point is at least 20 cm (8") above the waterline or holding tank, and fit the vented loop at the highest point.
- Run the discharge hose from the toilet to the vented loop
- Run the discharge hose from the vented loop to the seacock or holding tank



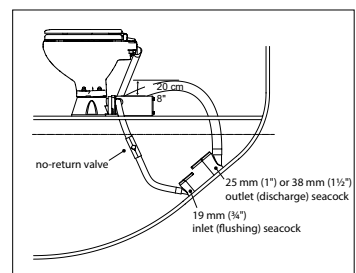
Toilet above waterline or above holding tank

Inlet: 19 mm hose

- Run the inlet hose by the most direct route from the inlet seacock to a non-return valve.
- Run the inlet hose from the non-return valve to the flushing pump inlet connection.
- For convenience of use, install an in-line non-return valve next to the inlet seacock which will ensure that the pump stays primed in between usages.

Discharge: 25 mm (1") or 38 mm (1 1/2") hose

- As close as possible to the toilet, rise the discharge hose 20 cm above the base to retain water in the bowl. Make sure the outlet hose stays in this position.
- Connect discharge hose connection on the toilet to the seacock or holding tank.



Installation Electric Standard Toilets

Installation Electric Silent Toilets

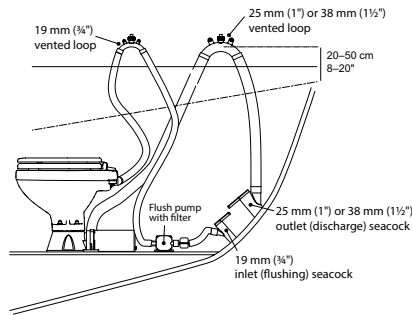
Toilet below waterline or below holding tank

Inlet: 19 mm (¾") Vented Loop fitting

- The vented loop must be positioned in a way that its highest point is 20–50 cm (8–20") above the highest possible waterline
- Run the inlet hose by the most direct way from the inlet seacock, via the flush pump to

the vented loop; or, the most direct way from the pressurized water pipe in a centralized system.

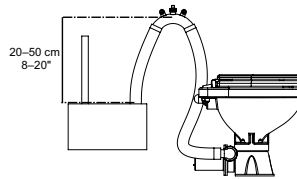
- Run the inlet hose by the most direct way from the vented loop to toilet flushing pump inlet connection.



Discharge: 25 mm (1") or 38 mm (1½") Vented Loop fitting Mounting

- Arrange the discharge hose, so that its highest point is at least 20 cm (8") above the waterline or holding tank, and fit the vented loop at the highest point.
- Run the discharge hose from the toilet to the vented loop

- Run the discharge hose from the vented loop to the seacock or holding tank



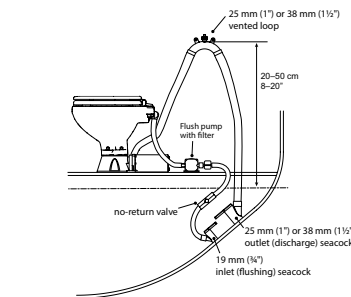
Toilet above waterline or above holding tank

Inlet: 19 mm hose

- Run the inlet hose by the most direct route from the inlet seacock to a non-return valve; or, the most direct way from the pressurized water pipe in a centralized system..
- Run the inlet hose from the non-return valve to the flush pump

and then to the flushing pump inlet connection.

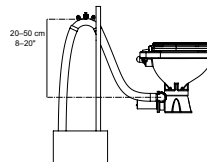
- For convenience of use, install an in-line non-return valve next to the inlet seacock which will ensure that the pump stays primed in between usages.



Discharge: 25 mm (1") or 38 mm (1½") hose

- Arrange the discharge hose, so that its highest point is 20–50 cm (8–20") above the waterline or holding tank, and fit the vented loop at the highest point.

- Run the discharge hose from the toilet to the vented loop
- Run the discharge hose from the vented loop to the seacock or holding tank.



Accessories / Spare Parts

Rely on original Albinus spare parts and accessories for your marine toilet systems

Compliment your marine toilets with conversion kits for improved operation, control panels for push-button operation, vented loops, solenoids, flush pump and Y-valve.

Manual Toilet Conversion Kit

Converts compact and comfort bowl of most toilets with 4 bolt fixing bowls and bolt centres on a 95 mm (3 3/4") diameter to manual operation. Including all you need for a new assembly.

PN	Connections	Weight
07-91-058	inlet 19 mm (3/4"), outlet 38 mm (1 1/2")	1.2Kg 2.6lbs

Standard Electric Toilet Conversion Kit

Converts your manual or silent electric toilet to a 12V / 24V one cycle electric operated version. Including all you need for a new assembly, also the one push electrical control panel.

PN	Voltage	Connections	Weight
07-66-019	12V	Port connections inlet 19 mm (3/4"), outlet 25 mm or 38 mm (1" or 1 1/2")	2.4Kg 6lbs
07-66-020	24V		

Standard Electric EVO Toilet Conversion Kit

Converts your manual or silent electric toilet to a 12V / 24V new EVO version. More silent with higher capacity than former Standard Electric models. Including all you need for a new assembly, also the one push electrical control panel.

PN	Voltage	Connections	Weight
07-92-050	12V	Port connections inlet 19 mm (3/4"), outlet 25 mm or 38 mm (1" or 1 1/2")	2.4Kg 6lbs
07-92-051	24V		

Silent Electric Toilet Conversion Kit

Converts your manual or standard electric toilet to a 12V / 24V separated flushing and waste disposal cycle version. Including all you need for a new assembly, also the electronic 3 function control panel. More silent and less water consumption. Water is from existing pressurized water system onboard with 12V solenoid valve (PN 07-66-030) – 24V solenoid valve (PN 07-66-031) or 12V flush pump (PN 07-66-032) – 24V flush pump (PN 07-66-033)- not included!

PN	Voltage	Connections	Weight
07-66-021	12V	Port connections outlet 25 mm or 38 mm (1" or 1 1/2")	2.1 Kg 6 lbs
07-66-022	24V		

Control Panel Standard Electric Toilet

The panel controls the combined rinse and discharge by a single button.

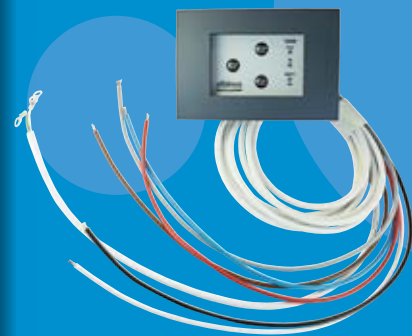
PN	Voltage	Description
07-66-023	12V/24V	One push standard electric control panel



Digital Control Panel Silent Electric Toilet

Before use – after use – short use and trimmer to regulate the flow

PN	Voltage	Description
07-66-024	12V/24V	Electronic 3 function control panel, before use, after use and short use plus a trimmer to regulate the flow rate



Control Panel Silent Electric Toilet Rocker Switch

The panel controls the rinse and the discharge, by two buttons.

Button 1, One function, discharge and rinse.

Button 2, Two functions, Rinse toilet OR discharge toilet

PN	Voltage	Description
07-66-025	12V/24V	2 function rocker switch control panel for waste disposal and flushing



Control Panel ECO Flush Electric Toilet With Level Indicator

Electronic control system with ECO flush functionality and tank level indicator control integrated in panel.

Normal / Full Flush Button

5 seconds delivery approx. 5 liters (1.3 USG) of water

ECO Flush Button

2½ seconds delivery approx. 2.5 liters (0.66 USG) of water

PN	Voltage	Description
07-66-026	12V/24V	Electronic control system with ECO flush functionality and tank level indicator control integrated in panel.





Vented Loop fittings

If the toilet is connected to any through-hull fitting and if the rim of the bowl falls below the waterline, for example during heavy seas, there is the risk of water flooding in, causing the boat to sink, which may result in loss of life. Therefore, if the rim of the toilet is less than 20 cm (8") above the waterline when the craft is at rest, or if there is any possibility that the rim of the bowl may be below the waterline at ANY time, **a vented loop MUST** be fitted in any pipework connected to a through-hull fitting, irrespective of whether inlet or discharge. **The loop must be vented to avoid the siphoning of water back into the boat through the toilet.**

Vented Loop 19

Vented loop for inlet

PN	Description
07-66-027	19 mm (¾") air valve loop to prevent back siphoning for waste water systems



Vented Loop 25

Vented loop for outlet

PN	Description
07-66-028	25 mm (1") air valve loop to prevent back siphoning for waste water systems.



Vented Loop 38

Vented loop for outlet

PN	Description
07-66-029	38 mm (1½") air valve loop to prevent back siphoning for waste water systems.

Bronze Solenoid valve

To be used with pressurized fresh water systems

PN	Voltage	Description
07-66-030	12V	Electric valve to be used with centralized, pressurized fresh water system. Internal pipe thread ½"
07-66-031	24V	



Flush Pump

Silent and robust 4-diaphragm flush pump to be used with any toilet with an external flush system.

- Perfect companion to Albinus Silent Electric and Premium marine toilets
- Strainer included.
- Can be run dry

PN	Capacity	Voltage	Fuse	Ports	Dimensions
07-66-032	12 L/min (3.2 GPH) 2.6 bar (38 psi)	12V	6 A	19 mm (¾") inner diameter hose	112x190x94 mm (4.4x7.5x3.7 in)
07-66-033	self-priming 7 m (23 ft)	24V	3 A		



Y-valve HD

Heavy Duty Y-valve for installation in waste discharge and bilge pump-out systems.

PN	Description
07-66-034	Allows waste water to be diverted to tank or pump-out



Premium Solenoid valve 12V

To be used with pressurized fresh water systems

PN	Voltage	Description
07-66-035	12V	Electric valve to be used with centralized, pressurized fresh water system. ½" and ¾" hose connections



Accessories / Spare Parts



page 86

Compact Seat

PN	Description
07-99-035	Original wooden seat for Compact and Design toilet models

Compact Seat SC

PN	Description
07-99-049	Original softclose thermoplastic seat for Compact and Design toilet models

Comfort Seat SC

PN	Description
07-99-036	Original thermoplastic softclose seat for Comfort toilet models

Premium Seat SC

PN	Description
07-99-037	Premium thermoset plastic soft close seat with stainless steel hinges

Luxury Premium Seat SC

PN	Description
07-99-042	Premium white varnished wood soft close seat with stainless steel hinges; standard on Premium models, also fits Comfort models

Motor Standard Electric Toilet

PN	Voltage	Description
07-99-038	12V	Replacement motor for the Standard Electric toilets
07-99-039	24V	

Motor Standard Electric EVO Toilet

PN	Voltage	Description
07-92-052	12V	Replacement motor for the Standard Electric EVO toilets
07-92-053	24V	

Motor Group Silent Electric Toilet

PN	Voltage	Description
07-99-040	12V	Replacement motor group for the Silent Electric toilets
07-99-041	24V	

Motor Group Design Standard Electric Toilet

PN	Voltage	Description
07-99-071	12V	Replacement motor group for the Design Standard Electric toilets
07-99-072	24V	

Motor Premium/ Design Silent Electric

PN	Voltage	Description
07-99-082	12V	Replacement motor for the Premium and Design Silent Electric toilets
07-99-083	24V	



Accessories / Spare Parts



Bowl Compact

PN	Description
07-99-054	Ceramic bowl for all Compact models

Bowl Compact Low

PN	Description
07-99-055	Ceramic bowl for all Compact Low models

Bowl Comfort

PN	Description
07-99-056	Ceramic bowl for all Comfort models

Bowl Design

PN	Description
07-99-067	Ceramic bowl for all Design models

Bowl Premium

PN	Description
07-94-078	Ceramic bowl for all Premium Std. models

Bowl Premium Low

PN	Description
07-94-081	Ceramic bowl for all PremiumLow models

Manual Plastic Base

PN	Description
07-91-057	Base for Manual toilet models

Base Group Standard Electric

PN	Description
07-99-047	Base group for Standard Electric toilets

Base Group Standard Electric EVO / Silent Electric

PN	Description
07-99-063	Base group for Standard Electric EVO and Silent Electric toilets

Manual Toilet Pump

PN	Description
07-66-018	Toilet pump and base kit for all manual toilets. Including all you need for a new assembly. Interchangeable with Jabsco and Johnson Pump manual toilet pumps

Gasket Kit Manual Pump

PN	Description
07-91-059	Gasket kit for albinus manual toilets

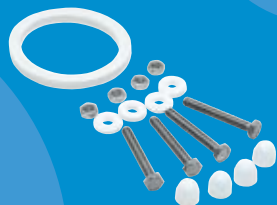


Accessories / Spare Parts



Intake Elbow 90°

PN	Description
07-99-060	Intake elbow group 90° for all toilets



Manual Bowl Gasket/ Screws

PN	Description
07-91-061	Gasket and screws for albinus manual toilets



Check valve

PN	Description
07-91-062	Check valve for manual toilet manual pump



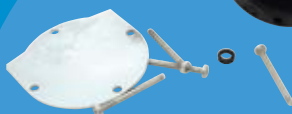
Macerator Group

PN	Description
07-99-048	Flush pump group for Standard Electric / Design Standard Electric



Flush Pump Group Design Std. El.

PN	Description
07-92-070	Flush pump group for Standard Electric / Design Standard Electric



Impeller Flush Pump

PN	Description
07-99-073	Flush pump impeller for Standard Electric, Standard Electric EVO and Design Standard Electric



Gasket Kit Conversion Kit Std.

PN	Description
07-99-086	Gasket kit Standard Electric

Outlet Elbow

PN	Description
07-99-064	Outlet elbow group for Standard Electric EVO and Silent Electric toilets



Flush Pump Group EVO

PN	Description
07-92-065	Flush pump group for Standard Electric EVO



Gasket Kit EVO

PN	Description
07-92-066	Gasket Kit for Standard Electric EVO



Complete Gasket Kit Design / Premium

PN	Description
07-99-068	Complete Gasket Kit for Design/Premium toilets



Inlet Pump Group Design / Premium

PN	Description
07-99-069	Complete Inlet Pump Group for Design/Premium toilets



Accessories / Spare Parts



Outlet Elbow Electric / Design / Premium Low

PN	Description
07-99-074	Outlet Elbow for Design / Premium toilets



Outlet Elbow Kit For Premium Std

PN	Description
07-99-084	Outlet Elbow for Premium toilets (standard height)



Outlet Hose Kit For Design Silent

PN	Description
07-99-085	Outlet hose kit for Design Silent Electric toilets



Outlet Hose Kit For Silent Premium

PN	Description
07-99-087	Outlet hose kit for Silent Premium Electric toilets



Outlet Hose Kit For Silent Premium Low

PN	Description
07-94-092	Outlet hose kit for Silent Premium Low Electric toilets

Complete Pump Kit Design Standard Electric

PN	Voltage	Description
07-99-088	12V	Complete pump kit for Design Standard Electric toilets
07-99-089	24V	



Complete Pump Kit Design Silent Electric

PN	Voltage	Description
07-99-090	12V	Complete pump kit for Design Silent Electric toilets
07-99-091	24V	

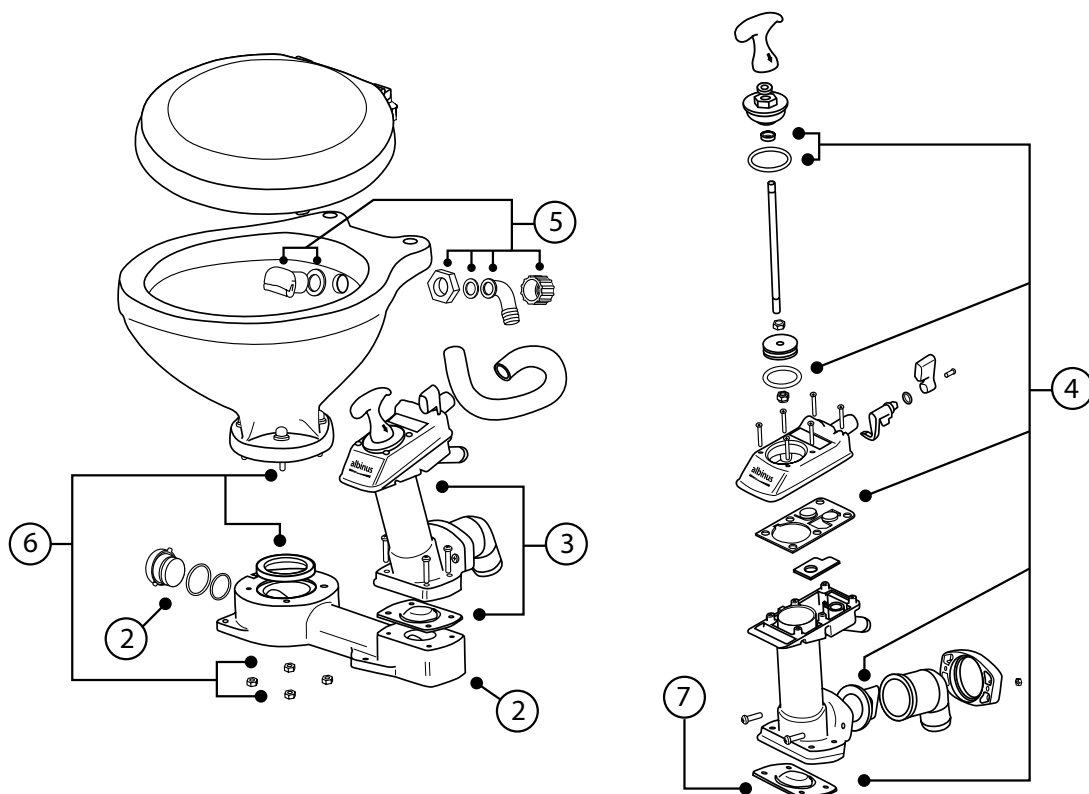


Complete Pump Kit Silent Premium Electric Standard and Low

PN	Voltage	Description
07-94-079	12V	Complete pump kit for Silent Premium Electric toilets and Silent Premium Low toilets
07-94-080	24V	



Spare Parts Manual Marine Toilets

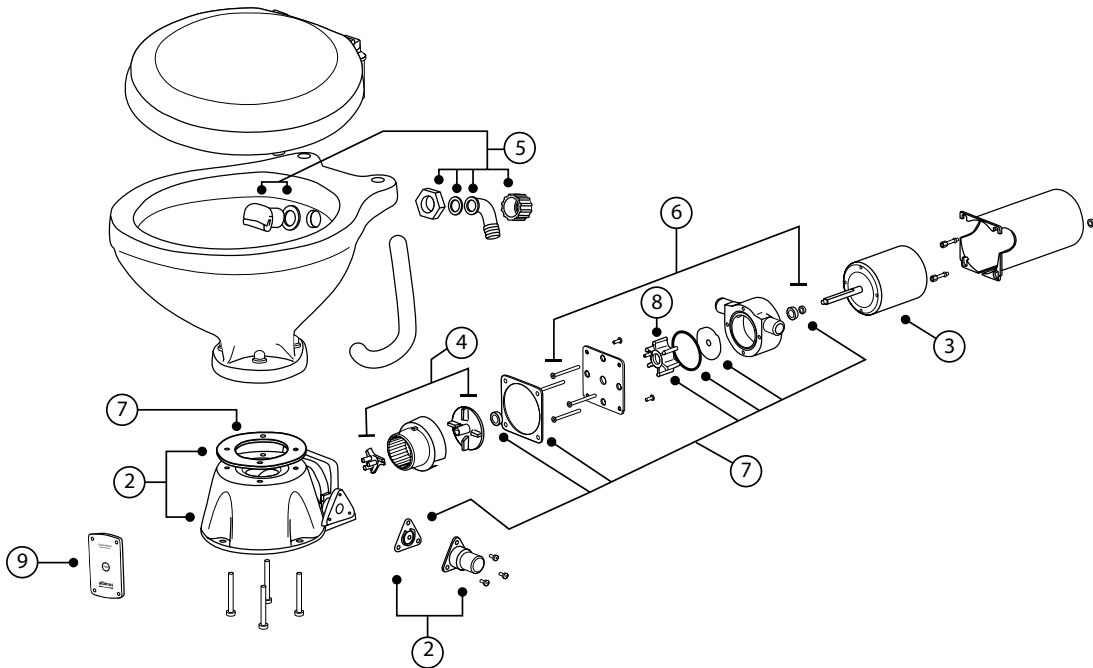


Common spares		
Albinus PN	Pos.	Description
07-91-057	2	Plastic base
07-66-018	3	Manual pump with base gasket
07-91-059	4	Gasket kit manual pump
07-99-060	5	Intake elbow 90°
07-91-061	6	Bowls gasket/screws
07-91-062	7	Check valve

Model specific parts	
Albinus PN	Description
07-01-001	Manual Compact Toilet, complete
07-99-035	Compact Seat
07-01-002	Manual Comfort Toilet, complete
07-99-036	Comfort Seat
07-01-003	Manual Compact Low Toilet, complete
07-99-035	Compact Seat

Spare Parts Electric Standard Marine Toilets

Spare Parts Schematics



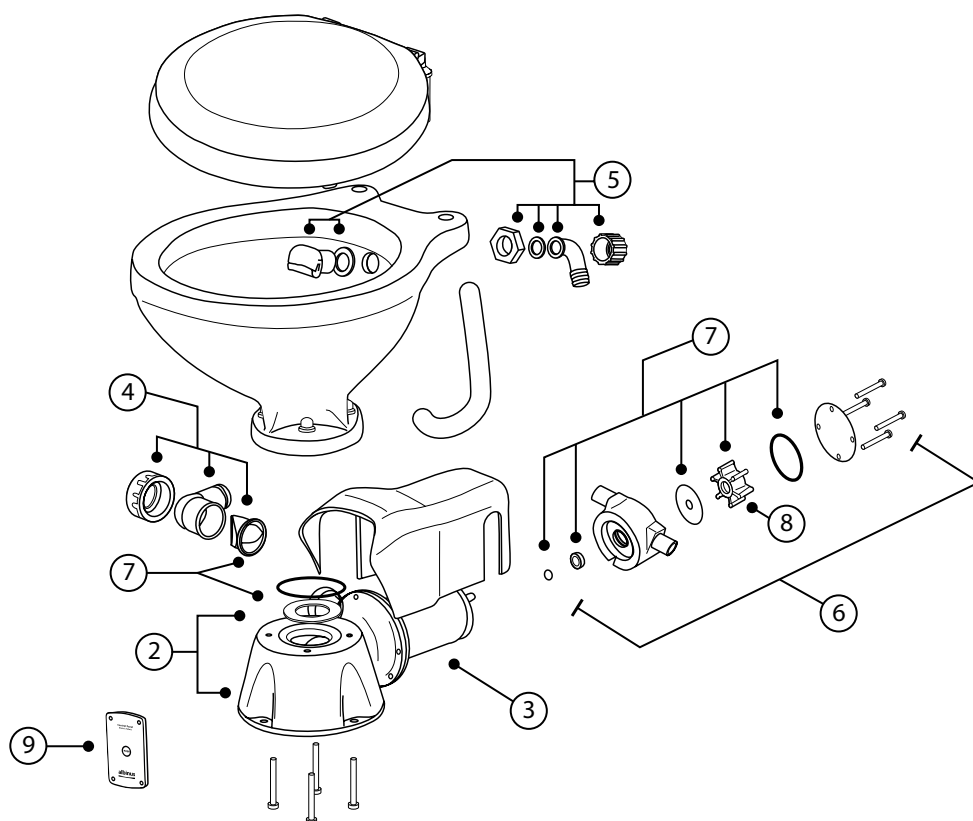
Common spares

Albinus PN	Pos.	Description
07-99-047	2	Base Group
07-99-038	3	Motor Standard Electric Toilet 12V
07-99-039	3	Motor Standard Electric Toilet 24V
07-99-048	4	Macerator Group
07-99-060	5	Intake Elbow
07-92-070	6	Flush Pump
07-99-086	7	Gasket Kit
07-99-073	8	Impeller Flush Pump
07-66-023	9	Control Panel Standard Electric Toilet
07-66-019		Standard Electric Conversion Kit 12V
07-66-020		Standard Electric Conversion Kit 24V

Model specific parts

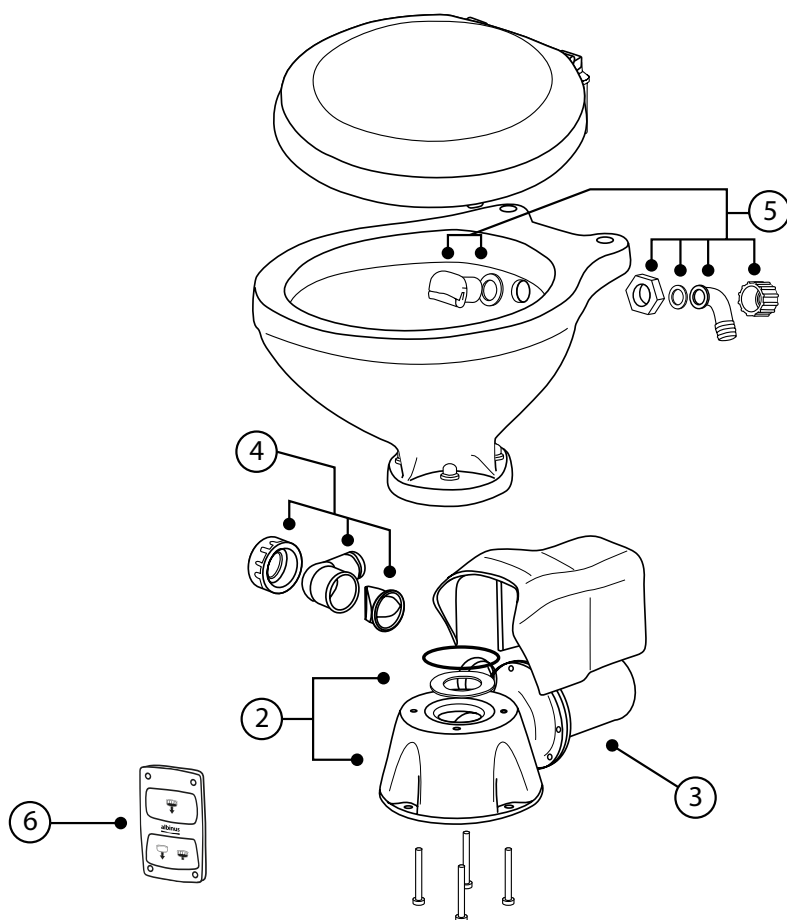
Albinus PN	Description
07-32-004	Standard Electric Compact 12V, complete Bulk
07-32-005	Standard Electric Compact 24V, complete Bulk
07-99-035	Compact Seat
07-32-006	Standard Electric Comfort 12V, complete Bulk
07-32-007	Standard Electric Comfort 24V, complete Bulk
07-99-036	Comfort Seat

Spare Parts Electric Standard EVO Marine Toilets



Common spares		
Albinus PN	Pos.	Description
07-99-063	2	Base Group
07-92-052	3	MOTOR GROUP EVO 12V.
07-92-053	3	MOTOR GROUP EVO 24V.
07-99-064	4	Outlet Elbow
07-99-060	5	Intake Elbow
07-92-065	6	Flush Pump EVO
07-92-066	7	Gasket Kit EVO
07-99-073	8	Impeller Flush Pump
07-66-023	9	Control Panel Standard Electric Toilet
07-92-050		Standard Electric EVO Conversion Kit 12V
07-92-051		Standard Electric EVO Conversion Kit 24V

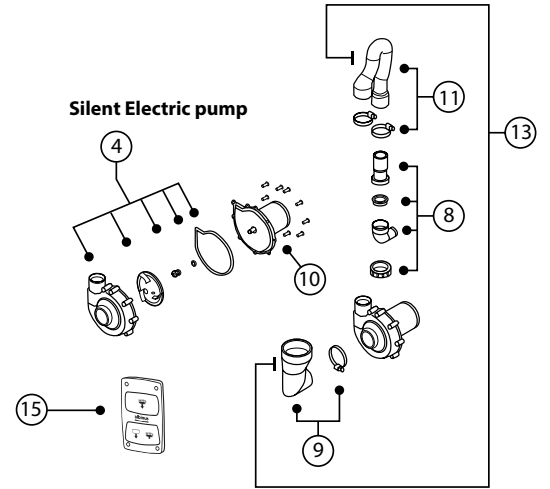
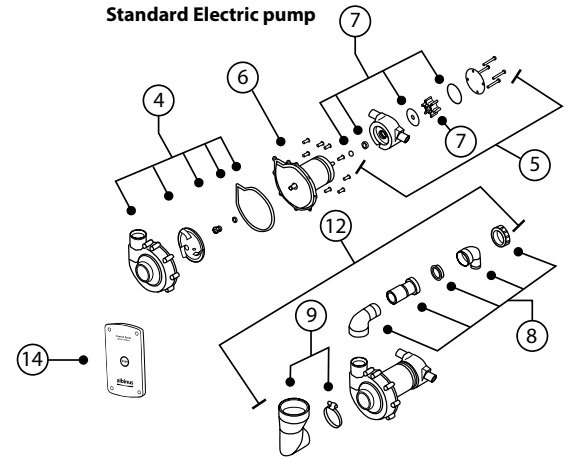
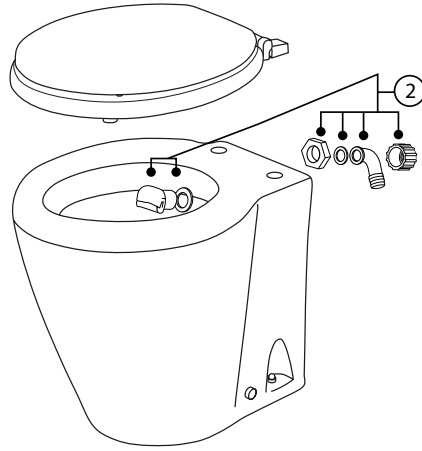
Model specific parts	
Albinus PN	Description
07-02-004	Standard Electric Evo Compact 12V, complete
07-02-005	Standard Electric Evo Compact 24V, complete
07-99-035	Compact Seat
07-02-006	Standard Electric Evo Comfort 12V, complete
07-02-007	Standard Electric Evo Comfort 24V, complete
07-99-036	Comfort Seat
07-02-008	Standard Electric Evo Compact Low 12V, complete
07-02-009	Standard Electric Evo Compact Low 24V, complete
07-99-035	Compact Seat



Common spares		
Albinus PN	Pos.	Description
07-99-063	2	Base Group
07-99-040	3	Motor Group Silent El. 12V
07-99-041	3	Motor Group Silent El. 24V
07-99-064	4	Outlet Elbow
07-99-060	5	Intake Elbow
07-66-025	6	Control Panel Silent Electric Toilet Rocker Switch
07-66-021		Silent Electric Conversion Kit 12V
07-66-022		Silent Electric Conversion Kit 24V

Model specific parts	
Albinus PN	Description
07-03-010	Silent Electric Compact 12V, complete
07-03-011	Silent Electric Compact 24V, complete
07-99-035	Compact Seat
07-03-012	Silent Electric Comfort 12V, complete
07-03-013	Silent Electric Comfort 24V, complete
07-99-036	Comfort Seat

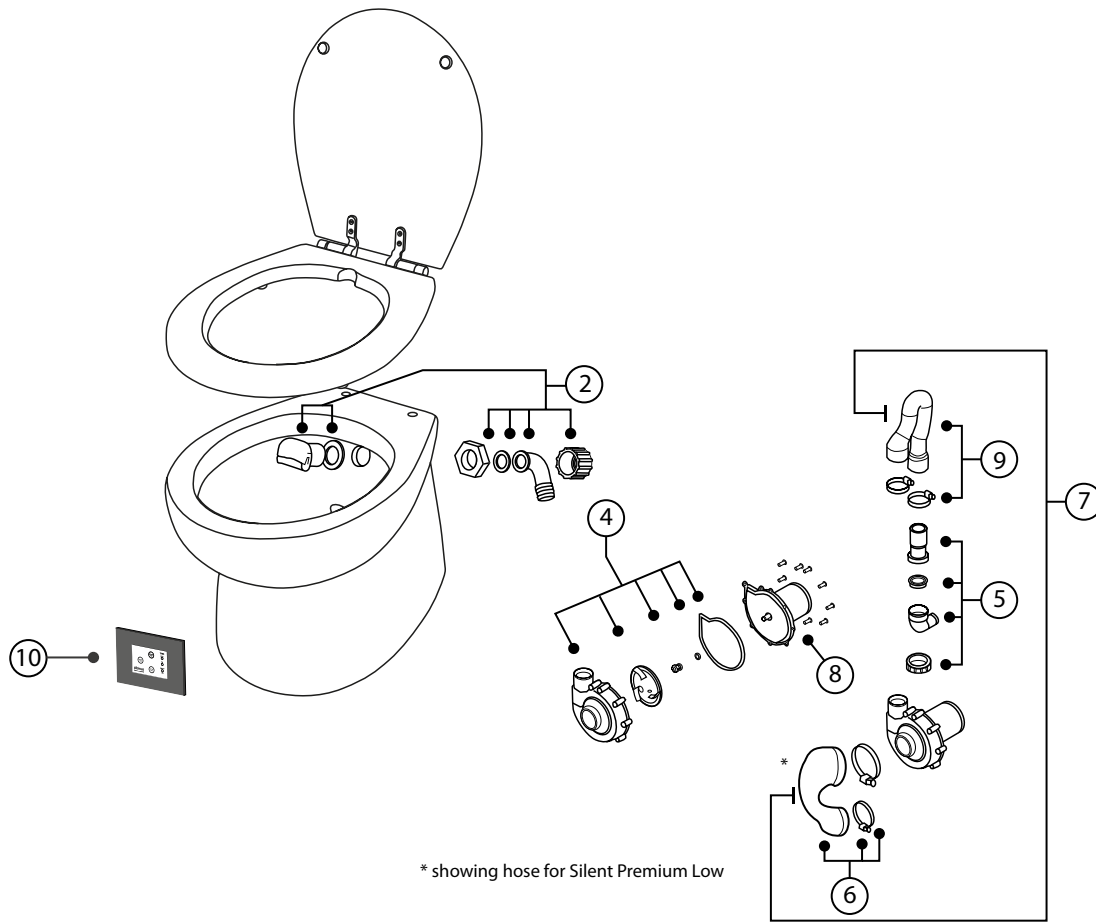
Spare Parts Standard / Silent Design Marine Toilets



Common spares		
Albinus PN	Pos.	Description
07-99-060	2	Intake Elbow 90°
07-99-068	all gaskets in 4, 7 and 8	Complete Gasket Kit Design/Premium
07-99-069	4	Inlet Pump Group Design/Premium
07-92-070	5	Flush Pump Group Design Std. El.
07-99-071	6	Motor Group Design Std. El. 12V
07-99-072	6	Motor Group Design Std. El. 24V
07-99-073	7	Impeller Flush Pump
07-99-074	8	Outlet Elbow Electric/Design/Premium Low
07-99-082	10	Motor Premium/ Design Silent 12V
07-99-083	10	Motor Premium/ Design Silent 24V
07-99-085	9 and 11	Outlet Hose Kit For Design Silent
07-99-088	12	Complete Pump Kit Design Std Electric 12V
07-99-089	12	Complete Pump Kit Design Std Electric 24V
07-99-090	13	Complete Pump Kit Design Silent Electric 12V
07-99-091	13	Complete Pump Kit Design Silent Electric 24V
07-66-023	14	Control Panel Standard Electric Toilet
07-66-025	15	Control Panel Silent Electric Toilet Rocker Switch

Model specific parts	
Albinus PN	Description
07-02-043	Design Marine Toilet Standard Electric 12V, complete
07-02-044	Design Marine Toilet Standard Electric 24V, complete
07-99-035	Compact Seat
07-03-045	Design Marine Toilet Silent Electric 12V, complete
07-03-046	Design Marine Toilet Silent Electric 24V, complete
07-99-035	Compact Seat

Spare Parts Silent Premium Marine Toilets



Common spares		
Albinus PN	Pos.	Description
07-99-060	2	Intake Elbow 90°
07-99-068	all gaskets in 4 and 5	Complete Gasket Kit Design/Premium
07-99-069	4	Inlet Pump Group Design/ Premium
07-99-074	5	Outlet Elbow Electric/Design/Premium Low
07-94-079	7	Complete Pump Kit Premium 12V
07-94-080	7	Complete Pump Kit Premium 24V
07-99-082	8	Motor Premium/ Design Silent 12V
07-99-083	8	Motor Premium/ Design Silent 24V
07-99-084	5	Outlet Elbow Kit For Premium Std
07-99-087	6 and 9	Outlet Hose Kit For Silent Premium
07-94-092	6 and 9	Outlet Hose Kit For Silent Premium Low
07-66-024	10	Control Panel Silent Premium Electric Toilet

Model specific parts	
Albinus PN	Description
07-04-014	Silent Premium 12V, complete
07-04-015	Silent Premium 24V, complete
07-99-042	Luxury Premium Seat SC
07-04-016	Silent Premium Low 12V, complete
07-04-017	Silent Premium Low 24V, complete
07-99-042	Luxury Premium Seat SC

Spare Parts Schematics



08_Water Heaters

Wide range of water heaters: Premium, Square and Stainless Steel selection. The Premium Water Heaters and square models have a toxic free ceramic inside coating to ensure highest water quality over time. The SS range has stainless steel AISI 316 tank, anti-corrosion treatment with pickling and passivation. All are designed for continuous use onboard vessels in demanding environments. 3 years limited warranty.

- Premium Water Heaters 101
- Stainless Steel Water Heaters 103
- Accessories / Spare Parts 104



Premium Water Heaters

The Albinus Premium Water Heaters and square models have a toxic free ceramic inside coating to ensure highest water quality over time. Dual heating as standard - electrical heating and indirect heating based on a second heat source, for example based on the cooling system from the Marine engine or generator set.

- Round version 22 Liter (5.8 gal), 30 Liter (8 gal), 45 Liter (12 gal), 60 Liter (17 gal)
- Rectangular version 20 Liter (5.6 gal)
- Interchangeable with common brands such as Webasto/Isotemp
- 850W, 230V or 800W, 120V
- Doubly enameled steel tank with aluminium outer coating
- Enameled iron heat exchanger for indirect heating from e.g. engine cooling water
- Incoloy corrosion-resistant alloy elements for electrical heating
- Heat loss 1 °C (1.8 °F)/hour over 24 hours
- Flexible mounting brackets, thermostat and drain valve are included
- Designed for continuous use onboard vessels in demanding environments

Premium Rectangular Water Heater 20 L

PN	Power	Capacity	Voltage	Fuse size	Connections	Dimensions LxWxH	Weight empty
08-01-005	850W	20 L (5.3 gal) Heats up 20 L (5,6 gal) in 45min, good for 30 L of mixed warm water or a 3 minute shower.	230V - 50 Hz	3.7 A	Fixed port connections BSP ½"	536 x 190 x 420 mm (21.1 x 7.5 x 16.5 in)	12.5 Kg (28 lbs)
08-01-028	800W		120V - 60 Hz		Fixed port connections NPT ½"		



Premium Water Heater 22 L

PN	Power	Capacity	Voltage	Fuse size	Connections	Dimensions LxWxH	Weight empty
08-01-001	850W	22 L (5.8 gal) Heats up 22 L (5,8 gal) in 1h, good for 35 L of mixed mixed warm water or a 3,5 minute shower.	230V - 50 Hz	3.7 A	Fixed port connections BSP ½"	423.5 x 390 x 404 mm (16.7 x 15.4 x 15.9 in)	11 Kg (24 lbs)
08-01-024	800W		120V - 60 Hz		Fixed port connections NPT ½"		



Premium Water Heater 30 L

PN	Power	Capacity	Voltage	Fuse size	Connections	Dimensions LxWxH	Weight empty
08-01-002	850W	30 L (7.9 gal) Heats up 30 L (8 gal) in 1,5h, good for 45 L of mixed warm water or a 4,5 minute shower.	230V - 50 Hz	3.7 A	Fixed port connections BSP ½"	503.5 x 390 x 404 mm (19.8 x 15.4 x 15.9 in)	12 Kg (26 lbs)
08-01-025	800W		120V - 60 Hz		Fixed port connections NPT ½"		



Premium Water Heater 45 L

PN	Power	Capacity	Voltage	Fuse size	Connections	Dimensions LxWxH	Weight empty
08-01-003	850W	45 L (11.9 gal) Heats up 45 L (12 gal) in 2h, good for 65 L of mixed warm water or a 6,5 minute shower	230V - 50 Hz	3.7 A	Fixed port connections BSP ½"	663.5 x 390 x 404 mm (26.1 x 15.4 x 15.9 in)	14 Kg (31 lbs)
08-01-026	800W		120V - 60 Hz		Fixed port connections NPT ½"		



Premium Water Heater 60 L

PN	Power	Capacity	Voltage	Fuse size	Connections	Dimensions LxWxH	Weight empty
08-01-004	850W	60 L (15.8 gal) Heats up 60 L (16 gal) in 4h, good for 90 L of mixed warm water or a 9 minute shower	230V - 50 Hz	3.7 A	Fixed port connections BSP ½"	823.5 x 390 x 404 mm (32.4 x 15.4 x 15.9 in)	16 Kg (35 lbs)
08-01-027	800W		120V - 60 Hz		Fixed port connections NPT ½"		



page 101

albinus

Premium Water Heaters



Premium Square Water Heater 22 L

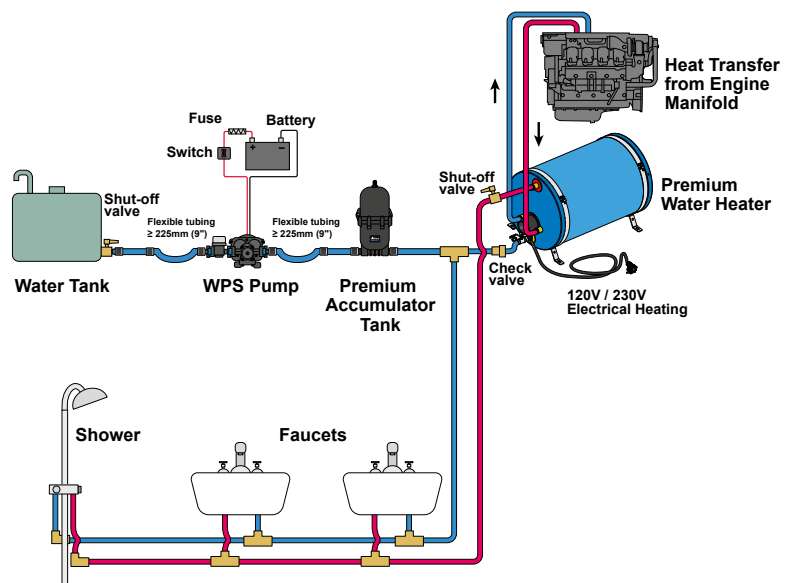
PN	Power	Capacity	Voltage	Fuse size	Connections	Dimensions LxWxH	Weight empty
08-01-032	850W	22 L (5.8 gal) Heats up 22 L (5,8 gal) in 45min, good for 30L of mixed warm water or a 3 minute shower	230V - 50 Hz	3.7 A	Fixed port connections BSP ½"	493 x 320 x 320 mm (19.4 x 12.6 x 12.6 in)	11 Kg (24 lbs)
08-01-030	800W		120V - 60 Hz		Fixed port connections NPT ½"		

The Albinus Premium Water Heaters and square models have a toxic free ceramic inside coating to ensure highest water quality over time. Electrical heating only.

- Interchangeable with common brands such as Webasto/Isotemp
- 850W, 230V or 800W, 120V
- Doubly enameled steel tank with aluminium outer coating
- Electric heating only 230V or 120V, for outboard boats or boats with genset, requires power AC 230V
- Incoloy corrosion-resistant alloy elements for electrical heating
- Heat loss 1 °C (1.8 °F)/hour over 24 hours
- Flexible mounting brackets, thermostat and drain valve are included

Premium Electric Square Water Heater 22 L

PN	Power	Capacity	Voltage	Fuse size	Connections	Dimensions LxWxH	Weight empty
08-03-032	850W	20 L (5.3 gal) Heats up 22 L (5,8 gal) in 45min, good for 30L of mixed warm water or a 3 minute shower. Keeps heated water warm for a duration >10h when not connected to shore power.	230V - 50 Hz	3.7 A	Fixed port connections BSP ½"	493 x 320 x 320 mm (19.4 x 12.6 x 12.6 in)	11 Kg (24 lbs)
08-03-030	800W		120V - 60 Hz		Fixed port connections NPT ½"		



Stainless Steel Water Heaters

The Albinus Stainless Steel Water Heaters have a stainless steel AISI 316 tank, anti-corrosion treatment with pickling and passivation. Dual heating as standard - electrical heating and indirect heating based on a second heat source, for example based on the cooling system from the Marine engine or generator set.

- Round version 22 Liter (5.8 gal), 30 Liter (8 gal), 45 Liter (12 gal), 60 Liter (17 gal)
- Interchangeable with common brands such as Webasto/Isotemp
- 850W, 230V
- Enamaled iron heat exchanger for indirect heating from e.g. engine cooling water
- Incoloy corrosion-resistant alloy elements for electrical heating
- Heat loss 1 °C (1.8 °F)/hour over 24 hours
- Flexible mounting brackets, thermostat and drain valve are included
- Designed for continuous use onboard vessels in demanding environments

Stainless Steel Water Heater 22 L

PN	Power	Capacity	Voltage	Fuse size	Connections	Dimensions LxWxH	Weight empty
08-02-006	850W	22 L (5.8 gal) Heats up 22 L (5.8 gal) in 1h, good for 35 L of mixed warm water or a 3,5 minute shower.	230V - 50Hz	3.7 A	Fixed port connections BSP 1/2"	439.5 x 390 x 404 mm (17.3 x 15.4 x 15.9 in)	11 Kg (24 lbs)

Stainless Steel Water Heater 30 L

PN	Power	Capacity	Voltage	Fuse size	Connections	Dimensions LxWxH	Weight empty
08-02-007	850W	30 L (7.9 gal) Heats up 30 L (8 gal) in 1,5h, good for 45 L of mixed warm water or a 4,5 minute shower.	230V - 50Hz	3.7 A	Fixed port connections BSP 1/2"	503.5 x 390 x 404 mm (19.8 x 15.4 x 15.9 in)	12 Kg (26 lbs)

Stainless Steel Water Heater 45 L

PN	Power	Capacity	Voltage	Fuse size	Connections	Dimensions LxWxH	Weight empty
08-02-008	850W	45 L (11.9 gal) Heats up 45 L (12 gal) in 2h, good for 65 L of mixed warm water or a 6,5 minute shower	230V - 50Hz	3.7 A	Fixed port connections BSP 1/2"	689 x 390 x 404 mm (27.1 x 15.4 x 15.9 in)	14 Kg (31 lbs)

Stainless Steel Water Heater 60 L

PN	Power	Capacity	Voltage	Fuse size	Connections	Dimensions LxWxH	Weight empty
08-02-009	850W	60 L (15.8 gal) Heats up 60 L (16 gal) in 4h, good for 90 L of mixed warm water or a 9 minute shower	230V - 50Hz	3.7 A	Fixed port connections BSP 1/2"	849 x 390 x 404 mm (33.4 x 15.4 x 15.9 in)	16 Kg (35 lbs)

Stainless Steel Water Heater 80 L

PN	Power	Capacity	Voltage	Fuse size	Connections	Dimensions LxWxH	Weight empty
08-02-010	850W	80 L (21.2 gal) Heats up 80 L (21,2 gal) in 5h, good for 120 L of mixed warm water or a 15 minute shower	230V - 50Hz	3.7 A	Fixed port connections BSP 1/2"	1009 x 390 x 404 mm (39.7 x 15.4 x 15.9 in)	20 Kg (44 lbs)



page 103

albinus

Accessories / Spare Parts



Complement your Water Heaters with Albinus Mixer and Hose Connection Kits and Spare Parts.

Premium Water Heater Mixer Kit

Premium Mixer Kit, safe distribution of mixed warm water at exact temperatures.

- Allows you to not waste any hot water which saves water and energy

PN	Description
08-66-011	Premium Mixer Kit

Hose Connection Kit

PN	Description
08-66-012	Hose Connection Kit

Pressure Release Valve

Safely releases excess pressure and also for draining the water heater.

PN	Description
08-99-013	Pressure Release Valve

Drain valve

Simplify the draining of the water heater of its water

- To avoid freezing or to preserve the water heater off season

PN	Description
08-99-014	Drain valve

Replacement Heater Elements

Heater elements that fit all Albinus water heaters

Heater Element 550W / 500W

PN	Description	Type
08-99-015	Heater Element 230V 550W	550W allows to use the water heater at 230V with 4A shorepower fuse
08-99-018	Heater Element 120V 500W	500W allows to use water heater at 120V with 5A fuse

Heater Element 850W / 800W

PN	Description	Type
08-99-016	Heater Element 230V 850W	850W allows to use water heater at 230V with 5 A shorepower fuse
08-99-019	Heater Element 120V 800W	800W allows to use water heater at 120V with 10A shorepower fuse

Heater Element 1250W / 1200W

PN	Description	Type
08-99-017	Heater Element 230V 1250W	1250W allows to use water heater at 230V with 10A shorepower fuse
08-99-020	Heater Element 120V 1200W	1200W allows to use water heater at 120V with 15 A shorepower fuse

Thermostat

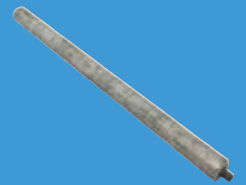
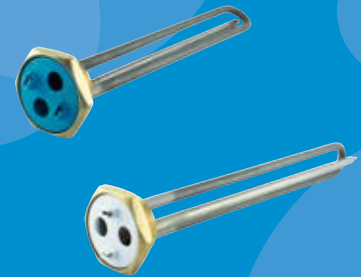
PN	Description	Type
08-99-021	Thermostat to set temperature of heated water.	Adjustable 40° – 80°C (104° – 176°F)

Premium Anode Short

PN	Description	Type
08-99-022	Short anode for Premium Water Heater	Premium Water Heaters 20 – 30L (5.3 – 7.9 gal)

Premium Anode Long

PN	Description	Type
08-99-023	Long anode for Premium Water Heater	Premium Water Heaters 45 – 60L (11.9 – 15.8 gal)





09_Heaters and Defrosters

Our defrosters include heavy duty heating unit and high quality electrical components shielded by a stainless steel cover for long service life. As a kit, the defroster includes a high quality adjustable fan, a four step blower of high capacity, wiring harness and control panel. 3 years limited warranty for heating unit and 1 year for the fan motor.

Pleasure Boat Defrosters.....	107
Commercial Boat Defrosters	107
Accessories	109



Heaters and Defrosters

Albinus defrosters include a heavy duty heating unit and high quality electrical components shielded by a stainless steel cover for long service life. For connection to engines with fresh water cooling system. Available as complete kits and heater units.

- As a kit, the defroster includes a high quality adjustable fan, a four step blower of high capacity, wiring harness and control panel

Pleasure Boat Defrosters

Marine Defroster 2 kW

Marine defroster/ heater with 2 kW heater coil, axial fan, protection inlet grid and outlet design grid.

Kit includes: 5 m (16 ft) Wiring harness and on/off control panel

PN	Heating capacity	Max. Rated Air flow	Voltage	Fuse size	Water connections	Dimensions W x H x D	Weight
09-01-001 (kit)	2 kW (6800 BTU/h)	80 m ³ /h (47 ft ³ /min)	12V	3 A	16 mm (5/8") copper pipes with DIN 71550 bead Max. water pressure: 2.5 bar (36 psi)	218 x 185 x 97 mm (8.6 x 7.3 x 3.8 in)	2 kg (4.4 lbs.)
09-01-002 (kit)			24V	2 A			

Marine Defroster 6 kW

Marine defroster/ heater with 6 kW heater coil and double radial blowers

Kit includes: 5 m (16 ft) Wiring harness, 4-step control panel and hose adapters

PN	Heating capacity	Max. Rated Air flow	Voltage	Fuse size	Water connections	Dimensions W x H x D	Weight
09-01-035 (kit)	6 kW (20500 BTU/h)	200 m ³ /h (118 ft ³ /min)	12V	15 A	16 mm (5/8") copper pipes with DIN 71550 bead Max. water pressure: 2.5 bar (36 psi)	440 x 136 x 220 mm (17.3 x 5.4 x 8.7 in)	5.5 kg (12.1 lbs.)
09-01-036 (kit)			24V	10 A			
09-01-037 (heater unit)			12V	15 A			
09-01-038 (heater unit)			24V	10 A			

Commercial Boat Defrosters

Premium Marine Defroster 9 kW

Marine defroster/ heater with 9 kW heater coil and double radial blowers

Kit includes: 5 m (16 ft) Wiring harness, 4-step control panel and hose adapters

PN	Heating capacity	Max. Rated Air flow	Voltage	Fuse size	Water connections	Dimensions W x H x D	Weight
09-02-005 (kit)	9 kW (31000 BTU/h)	350 m ³ /h (206 ft ³ /min)	12V	15 A	16 mm (5/8") copper pipes with DIN 71550 bead Max. water pressure: 2.5 bar (36 psi)	440 x 136 x 220 mm (17.3 x 5.4 x 8.7 in)	5.5 kg (12.1 lbs.)
09-02-006 (kit)			24V	10 A			
09-02-011 (heater unit)			12V	15 A			
09-02-012 (heater unit)			24V	10 A			



Heaters and Defrosters



Premium Marine Defroster 9 kW 6 outlets

Marine defroster/ heater with 9 kW heater coil, double radial blowers and 6 outlets

Kit includes: 5 m (16 ft) Wiring harness, 4-step control panel and hose adapters

PN	Heating capacity	Max. Rated Air flow	Voltage	Fuse size	Water connections	Dimensions WxHxD	Weight
09-02-017 (kit)	9 kW (31 000 BTU/h)	350 m ³ /h (206 ft ³ /min)	12V	15 A	16 mm (5/8") copper pipes with DIN 71550 bead Max water pressure: 2.5 bar (36 psi)	440 x 136 x 305 mm (17.3 x 5.4 x 12 in)	5.5 kg (12.1 lbs.)
09-02-018 (kit)			24V	10 A			
09-02-015 (heater unit)			12V	15 A			
09-02-016 (heater unit)			24V	10 A			



Premium Marine Defroster 12 kW

Marine defroster/ heater with 12 kW heater coil and double radial blowers

Kit includes: 5 m (16 ft) Wiring harness, 4-step control panel and hose adapters

PN	Heating capacity	Max. Rated Air flow	Voltage	Fuse size	Water connections	Dimensions WxHxD	Weight
09-02-007 (kit)	12 kW (41 000 BTU/h)	680 m ³ /h (400 ft ³ /min)	12V	15 A	16 mm (5/8") copper pipes with DIN 71550 bead Max water pressure: 2.5 bar (36 psi)	403 x 176 x 244 mm (15.9 x 6.9 x 9.6 in)	5.2 kg (11.5 lbs.)
09-02-008 (kit)			24V	10 A			
09-02-013 (heater unit)			12V	15 A			
09-02-014 (heater unit)			24V	10 A			

Complement your Heater Unit Defrosters with Albinus Control Panels.

Control Panel 2 kW

PN	Description	Voltage
09-66-015	Illuminated on/off control panel	12V
09-66-016		24V

Control Panel 4 kW, 6kW, 9 kW and 12 kW – 12V/24V

PN	Description	Voltage
09-66-017	4-step control panel for 4 kW, 6 kW, 9 kW and 12 kW defroster /heater	12V/24V

Wiring Harness Ext 12/24V 4/6/9kW 5M

PN	Description
09-66-020	Wiring Harness Ext 12/24V 4/6/9kW 5M

Adapter Hose Snap-in D60

PN	Description
09-66-023	Adapter Hose Snap-in D60

Accessories





10_Ventilation Blowers

Air blowers cover a wide range of ventilation needs and are suitable for almost any installation situation. Engine compartment air extraction prior to start-up, bilge ventilation, galleys or any other compartment. In-line, flange or flex mount compact design with motor integrated in center of blower. Double ball bearings with a high impact thermoplastic body and solid durable assembly surfaces. 1 year limited warranty.

- Radial Ventilation Blowers..... 111
 - Flange-mounted Blowers 111
 - Flex-mounted Blowers..... 111
- In-Line Blowers..... 113



Radial blower for marine ventilation for engine compartment air extraction prior to start-up, bilge ventilation, galleys or any other compartment.

- Flange or flex mount
- Compact design with motor integrated in center of blower
- Double ball bearings
- High impact thermoplastic PA6 highly durable white Nylon body
- Solid, durable assembly surfaces

Radial Ventilation Blowers

Marine Air Blower 280 Flange

PN	Type	Capacity	Voltage	Fuse size	Connections		Dimensions HxWxL	Interchangeable with*
					Inlet	Outlet		
10-02-001	3" Flange mounted radial blower	280 m ³ /h (163 ft ³ /min)	12V	5 A	Ø 75 mm (3")	92x80 mm (3.6x3.2 in)	200x165x195 mm (7.9x6.5x7.7 in)	Johnson Pump 80-47416-01 Jabsco 34739-0010
10-02-002			24V					JP 80-47416-02 Jabsco 50880-1100



Marine Air Blower 500 Flange

PN	Type	Capacity	Voltage	Fuse size	Connections		Dimensions HxWxL	Interchangeable with*
					Inlet	Outlet		
10-02-003	4" Flange mounted radial blower	500 m ³ /h (324 ft ³ /min)	12V	15 A	Ø 100 mm (4")	146 x 118 mm (5.8 x 4.7 in)	290 x 257 x 150 mm (11.4 x 10.1 x 5.9 in)	Johnson Pump 80-47417-01 Jabsco 35760-0092
10-02-004			24V	10 A				Johnson Pump 80-47417-02, Jabsco 35760-0094



Marine Air Blower 750 Flange

PN	Type	Capacity	Voltage	Fuse size	Connections		Dimensions HxWxL	Interchangeable with*
					Inlet	Outlet		
10-02-005	6" Flange mounted radial blower	750 m ³ /h (441 ft ³ /min)	12V	20 A	Ø 150 mm (6")	146 x 118 mm (5.8 x 4.7 in)	290 x 257 x 170 mm (11.4 x 10.1 x 6.7 in)	Johnson Pump 80-47418-01
10-02-006			24V	15 A				Johnson Pump 80-47418-02



Marine Air Blower 1000 Flange

PN	Type	Capacity	Voltage	Fuse size	Connections		Dimensions HxWxL	Interchangeable with*
					Inlet	Outlet		
10-02-021	6" Flange mounted radial blower	1000 m ³ /h (589 ft ³ /min)	24V	20 A	Ø 150 mm (6")	Ø 103 mm (4.1 in)	290 x 257 x 180 mm (11.4 x 10.1 x 6.7 in)	Johnson Pump 80-47419-02



Marine Air Blower 500 Flex

PN	Type	Capacity	Voltage	Fuse size	Connections		Dimensions HxWxL	Interchangeable with*
					Inlet	Outlet		
10-03-007	4" Flex mounted radial blower	500 m ³ /h (324 ft ³ /min)	12V	15 A	Ø 100 mm (4")	Ø 103 mm (4.1 in)	290 x 257 x 150 mm (11.4 x 10.1 x 5.9 in)	Johnson Pump 80-47420-01 Jabsco 35770-0092
10-03-008			24V	10 A				Johnson Pump 80-47420-02 Jabsco 35770-0094



Radial Ventilation Blowers

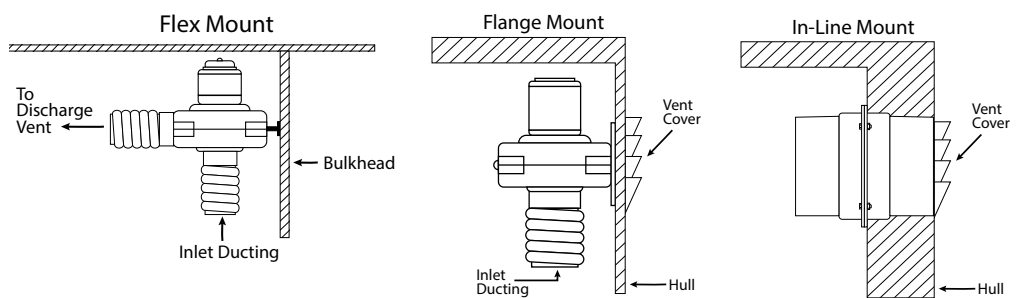


Marine Air Blower 750 Flex

PN	Type	Capacity	Voltage	Fuse size	Connections		Dimensions HxWxL	Interchangeable with*
					Inlet	Outlet		
10-03-009	6" Flex mounted radial blower	750 m ³ /h (441 ft ³ /min)	12V	20 A	Ø 150 mm (6")	Ø 103 mm (4.1 in)	290 x 257 x 170 mm (11.4 x 10.1 x 6.7 in)	Johnson Pump 80-47421-01
10-03-010			24V	15 A				Johnson Pump 80-47421-02

Marine Air Blower 1000 Flex

PN	Type	Capacity	Voltage	Fuse size	Connections		Dimensions HxWxL	Interchangeable with*
					Inlet	Outlet		
10-03-022	6" Flex mounted radial blower	1000 m ³ /h (589 ft ³ /min)	24V	20 A	Ø 150 mm (6")	Ø 103 mm (4.1 in)	290 x 257 x 180 mm (11.4 x 10.1 x 7.1 in)	Johnson Pump 80-47422-02



In-Line Ventilation Blowers

In-Line mounted axial blower for marine ventilation for engine compartment air extraction prior to start-up, bilge ventilation, galleys or any other compartment.

- In-Line mounted
- Compact design with motor integrated in center of blower
- Advanced five-blade design for maximum flow and performance
- Sheltered blades from blower housing interference at tough installation
- Quiet operation and low power consumption
- Long motor service life from powerful airflow cooling
- For continuous duty

Marine Air Blower 1000 Inline 250

PN	Type	Capacity	Voltage	Fuse size	Connections	Dimensions HxWxL	Interchangeable with*
10-01-011	7" In-Line mounted, axial flow blower through-bulkhead installation	1000 m ³ /h (589 ft ³ /min)	12V	7 A	178 mm (7 in) hose	250 x 220 x 178 mm (9.8 x 8.7 x 7 in)	Vetus 17812A
10-01-012			24V	3.5 A			Vetus 17824A

Marine Air Blower 1000 Inline 165

PN	Type	Capacity	Voltage	Fuse size	Connections	Dimensions HxWxL
10-01-013	7" In-Line mounted, axial flow blower through-bulkhead installation	1000 m ³ /h (589 ft ³ /min)	12V	7 A	178 mm (7 in) hose	165 x 220 x 178 mm (6.5 x 8.7 x 7 in)
10-01-014			24V	3.5 A		

Marine Air Blower 750 Inline 250

PN	Type	Capacity	Voltage	Fuse size	Connections	Dimensions HxWxL	Interchangeable with*
10-01-019	7" In-Line mounted, axial flow blower through-bulkhead installation	750 m ³ /h (441 ft ³ /min)	12V	7 A	178 mm (7 in) hose	250 x 220 x 178 mm (9.8 x 8.7 x 7 in)	Vetus Vent17812A
10-01-020			24V	3.5 A			Vetus Vent17824A

Marine Air Blower 750 Inline 165

PN	Type	Capacity	Voltage	Fuse size	Connections	Dimensions HxWxL
10-01-017	7" In-Line mounted, axial flow blower through-bulkhead installation	750 m ³ /h (441 ft ³ /min)	12V	7 A	178 mm (7 in) hose	165 x 220 x 178 mm (6.5 x 8.7 x 7 in)
10-01-018			24V	3.5 A		





11_Pump Out

Albin Group Marine offers, through its Albinex brand, a range of solutions for allowing marinas and boat owners to more easily comply with National and International legislation regulating sewage emmissions from pleasure boats along the coastal waterways and inland lakes and rivers. Albinex complete Pumpout Stations and Pumpout kits provide efficient and easy to use solutions for keeping our waterways clean.

Pump Out Stations.....	115
Pump Out Station Kits	116
Spare Parts	117



Pump Out Stations

Pump-out station for permanent installation in harbors, marinas, or where discharging of holding tanks by pumping out is needed. For further transport to municipal sewage system or storage/ large holding tank.

- Complete discharge pump of Self-priming Flexible Impeller type or peristaltic type, developed by Albinex for discharging holding tanks.
- Integrated vacuum switch for automatic switch off of pump when the holding tank of the vessel is empty.
- Integrated electrical connected control box with wiring to control panel, pump and vacuum switch.
- Protective housing of sheet metal Magnelis for extreme corrosion resistance
- Complete 7 m (23ft) suction hose, with hose connection ports
- 1-phase or 3-phase electric motors
- 150 L / min capacity; empties typical boat sewage tank in maximum 40 seconds

Septic 200 Magnelis, Pump- Out Station FIP 400V

PN	Pump Type	Capacity	Voltage	Motor	Fuse	av. Amp draw	Dimensions HxWxL	Weight
11-01-001	Flexible Impeller	150 L / min (40 GPM)	400V	3-phase, 400V, 1.5kW, 50Hz	8 A	5 A	900 x 660 x 1000 mm (36 x 26 x 40 in)	74.5 kg 165 lbs

Septic 200 Magnelis, Pump- Out Station FIP 240V

PN	Pump Type	Capacity	Voltage	Motor	Fuse	av. Amp draw	Dimensions HxWxL	Weight
11-01-002	Flexible Impeller	150 L / min (40 GPM)	240V	1-phase, 240V, 2.2 kW, 50Hz	20 A	12 A	900 x 660 x 1000 mm (36 x 26 x 40 in)	74.5 kg 165 lbs

Septic 2000, Pump- Out Station Long Distance HP 400V – ON REQUEST –

PN	Pump Type	Capacity	Voltage	Motor	Fuse	av. Amp draw	Dimensions HxWxL	Weight
11-01-003	Peristaltic	25 L / min (6.6 GPM)	400V	3-phase, 400V, 1.5 kW, 50Hz	8 A	5 A	900 x 660 x 1000 mm (36 x 26 x 40 in)	85 kg 187 lbs

Septic 200 Magnelis, Pump- Out Station FIP 120V

PN	Pump Type	Capacity	Voltage	Motor	Fuse	av. Amp draw	Dimensions HxWxL	Weight
11-01-004	Flexible Impeller	25 L / min (6.6 GPM)	120V	1-phase, 120V, 2.2 kW, 60Hz	16 A	12 A	900 x 660 x 1000 mm (36 x 26 x 40 in)	74.5 kg 165 lbs



Pump Out Station Kits

Complete Pump-Out Station Kit for mounting indoors in available space in harbors, marinas, or where discharging of holding tanks by pumping out is needed. For further transport to municipal sewerage system or storage/ large holding tank.

- Pump-Out kit including 400V / 240V pump complete, control box, 4m cable and 7 m Pump-Out hose kit
- Complete discharge pump of Self-priming Flexible Impeller type or peristaltic type, developed by Albinex for discharging holding tanks
- Integrated vacuum switch for automatic switch off of pump when the holding tank of the vessel is empty
- Integrated electrical connected control box with wiring to control panel, pump and vacuum switch
- Mounted on stainless steel frame for indoor mounting
- Complete 7 m (23ft) suction hose, with hose connection ports
- 1-phase or 3-phase electric motors
- 150 L/ min capacity; empties typical boat sewage tank in maximum 40 seconds

Pump-Out Pump Assy & Control Kit FIP 240V

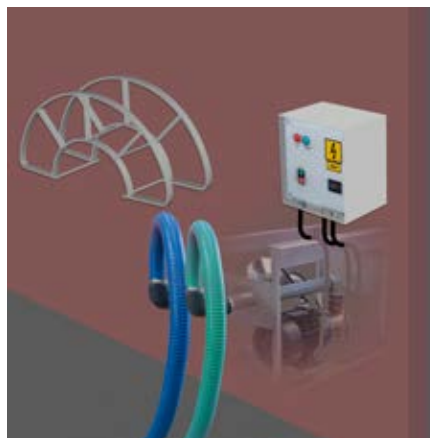
PN	Pump Type	Capacity	Voltage	Motor	Fuse	av. Amp draw	Dimensions H x W x L	Weight
11-02-016	Flexible Impeller	150L/min (40 GPM)	240V	1-phase, 240V, 2.2 kW, 50Hz	20 A	12 A	500 x 345 x 600 mm (20 x 14 x 24 in)	69 kg 152 lbs

Pump-Out Pump Assy & Control Kit FIP 400V

PN	Pump Type	Capacity	Voltage	Motor	Fuse	av. Amp draw	Dimensions H x W x L	Weight
11-02-017	Flexible Impeller	150L/min (40 GPM)	400V	3-phase, 400V, 1.5 kW, 50Hz	8 A	5 A	500 x 345 x 600 mm (20 x 14 x 24 in)	69 kg 152 lbs

Pump-Out Pump Assy Hose and Control Kit HP 400V

PN	Pump Type	Capacity	Voltage	Motor	Fuse	av. Amp draw	Dimensions H x W x L	Weight
11-02-018	Peristaltic	25L/min (6.6 GPM)	400V	3-phase, 400V, 1.5 kW, 50Hz	8 A	5 A	900 x 660 x 1000 mm (36 x 26 x 40 in)	85 kg 187 lbs



Pump-Out Kit installed indoors, in an available building, or in its own designated enclosure

Rubber Cone

PN	Description
11-99-004	Replacement hose cone for ISO/DIS 8099.3 or ISO 4567 compliant deckfittings



Hose Cone Connection Handle with Valve

PN	Description
11-99-005	Hose cone connection handle with shut-off valve



Hose Connection Port

PN	Description
11-99-006	Hose connection port for connecting hose to Pump Out Station



Pumpout Sign

PN	Description
11-99-007	Replacement sign for marking the Pump Out Station



FIP 40 MA40-BSP1 ½"- Flange IEC 90-w/o motor

PN	Impeller	Technical data	
05-03-032	Double flat Neoprene 06-05-038	Recommended motor:	1.1 kW, 1400 rpm. Single phase motor 230V must be equipped with start and drive capacitor.
		Max. Capacity:	188 L/ min (49.7 US GPM)
		Max. Pressure:	2.5 Bar (36 psi)
		Max. Suction lift:	5 m (16.4 ft)



Spare Parts



Original Replacement Impeller

PN	Description
11-99-008	Impeller- replaced by PN 06-05-038. Replacement impeller for discharge pump FIP 40

Cover FIP 40 for PN 05-03-032- replaced by PN 05-93-032

PN	Description
11-99-009	Cover for FIP 40, now part of Premium Spare Parts Kit below

O-ring Cover FIP 40 for PN 05-03-032- replaced by PN 05-93-032

PN	Description
11-99-010	O-ring cover for FIP 40, now part of Premium Spare Parts Kit below

Premium Spare Parts Kit for the FIP 40 discharge pump

PN	Description
05-93-032	Premium Spare Parts Kit for the FIP 40 discharge pump; includes Impeller replacement kit, wear parts and fasteners required for the pump



Vacuum Valve - replaced by PN 05-63-053

PN	Description
11-99-011	Vacuum switch for automatic discharge pump shut down, replaced PN 05-63-053

Standard Pumpout Hose kit 7 m Complete

PN	Description
11-99-014	Pumpout hose kit, 7 m with Hose Cone Connection Handle, Rubber cone and Hose Connection Port

Large Pumpout Hose kit 10 m Complete

PN	Description
11-99-015	Pumpout hose kit, 10 m with Hose Cone Connection Handle, 1x Rubber cone and Hose Connection Port

Motor Group Pump Out 240V

PN	Description
11-99-019	Motor group for discharge pump 1-phase, 240V, 2.2kW, 50 Hz

Motor Group Pump Out 400V

PN	Description
11-99-020	Motor group for discharge pump 3-phase, 400V, 1.5 kW, 50 Hz

Motor Group Pump Out 120V – ON REQUEST –

PN	Description
11-99-021	Motor group for discharge pump 1-phase, 120V, 2.2kW, 60 Hz





12_Pump Water Treatment

Albinus offers a tailored selection of proven environmentally friendly additives to your pump waters: cleansers and fresheners for your freshwater and wastewater holding tanks. Water treatment products for optimal functionality and comfort onboard. For extended lifetime of pumps, pump solutions and reliable, trouble-free operation. Suitable for vehicles or boats with holding tanks and pump systems onboard.

Freshwater Purification Continual / Routine use	121
Toilet System Treatment Continual / Routine use	122
Holding Tank Treatment Intermittent / Seasonal use ...	124

For the conservation and long term storage of potable and non-potable water; for Continual/Routine use as a preventative measure. ONLY TO BE USED BY CAREFULLY FOLLOWING THE INSTRUCTIONS WITH FRESH POTABLE WATER.

Freshwater Purification

Continual / Routine use

Fresh Water Purification Liquid - No Chlorine

For conservation and long term storage of up to 1 000 L potable and non-potable water.

- Odourless and tasteless, based on silver
- Will keep water protected against contamination for up to six months

PN	Description	Capacity	Usage
12-01-001-EN/SE*	100ml bottle concentrated liquid fresh water purification	good for 1 000 L (264 USgal)water	Continual / Routine useage

* label with English text / English + Swedish tex



Fresh Water Purification Powder - No Chlorine

For conservation and long term storage of up to 10 000 L potable and non-potable water.

- Odourless and tasteless, based on silver
- Will keep water protected against contamination for up to six months

PN	Description	Capacity	Usage
12-01-002-EN/SE*	100 g bottle concentrated powder fresh water purification	good for 10 000 L (2640 USgal)water	Continual / Routine useage

* label with English text / English + Swedish tex



Fresh Water Purification Tablets - No Chlorine

For conservation and long term storage of up to 2 000 L potable and non-potable water.

- Odourless and tasteless, based on silver
- Will keep water protected against contamination for up to six months

PN	Description	Capacity	Usage
12-01-003-EN/SE*	100 tablet bottle concentrated tablet form fresh water purification	good for 2 000 L (528 USgal)water	Continual / Routine useage

* label with English text / English + Swedish tex



Toilet System Treatment

Continual/Routine use



For cleaning, preventing and minimizing odors from boat toilets/ septic tanks; for Continual/Routine use as a preventative measure. Dissolves urin scale and other hard deposits in the septic tank and pumping. Clears and prevents blockages in the toilet system. Helps to breakdown solid waste material. Fresh scent. ONLY TO BE USED WITH WASTE WATER.

In-line Marine Toilet Cleaning System

Installs In-Line between flush water pump and bowl, providing cleansing action with every flush. Good for 1000 flushes.

- Continuously cleans and prevents odors from bowl, lines
- Pleasant scent with every flush
- Helps to breakdown solid waste material

PN	Description	Capacity	Usage
12-03-008-EN/SE*	In-Line system that cleanses, deodorizes with every flush, 100 ml bottle	good for 1 000 flushes	Continual/Routine useage

* label with English text/English + Swedish tex

Replacement Cartridge In-line Toilet Cleaning System

Replacement cartridge for In-Line Toilet Cleaning System. Simply unscrew the empty cartridge and screw in the replacement cartridge. Good for 1000 flushes.

- Continuously cleans and prevents odors from bowl, lines
- Pleasant scent with every flush
- Helps to breakdown solid waste material

PN	Description	Capacity	Usage
12-93-015-EN/SE*	Replacement cartridge for In-Line system that cleanses, deodorizes with every flush, 100ml bottle	good for 1 000 flushes	Continual/Routine useage

* label with English text/English + Swedish tex

Marine Toilet System Treatment Bio 1 L

Specially developed to remove hard deposits in toilet systems on pleasure boats with suction emptying and for preventative mainance, as well as trouble-free operation. Does not affect the beneficial bacteria in the system. Environmentally friendly and biodegradable. Not harmful to metals, plastics or rubber

- Effectivly cleans your septic tank
- Dissolves urin scale and other hard deposits in the septic tank and pumping
- Clears and prevents blockages in the toilet system

PN	Description	Volume	Usage
12-03-009-EN/SE*	Septic tank cleaner, clearing of bockages	1 Liter (1.1 qt)	Continual/Routine useage

* label with English text/English + Swedish tex

Marine Toilet System Treatment Bio 4 L

Specially developed to remove hard deposits in toilet systems on pleasure boats with suction emptying and for preventative mainance, as well as trouble-free operation. Does not affect the beneficial bacteria in the system. Environmentally friendly and biodegradable. Not harmful to metals, plastics or rubber

- Effectivly cleans your septic tank
- Dissolves urin scale and other hard deposits in the septic tank and pumping
- Clears and prevents blockages in the toilet system

PN	Description	Volume	Usage
12-03-010-EN/SE*	Septic tank cleaner, clearing of bockages	4 Liter (4.2 qt)	Continual/Routine useage

* label with English text/English + Swedish tex

Toilet System Treatment

Continual / Routine use

Marine Toilet Fresh Aura Liquid Bio 1 L

Specially developed to minimize odor from the septic tank in recreational boats.

- Developed for boats, but also suitable for summer cottages, motorhomes and caravans
- Environmentally friendly special liquid that cleans, prevents and minimizes bad smells in sanitary systems
- Mild and pleasant scent
- Biodegradable
- Will not harm metals, plastics or rubber

PN	Description	Volume	Usage
12-03-011-EN/SE*	Septic tank cleaner, deodorizer	1 Liter (1.1 qt)	Continual / Routine useage

* label with English text / English + Swedish tex

Marine Toilet Fresh Aura Liquid Bio 4 L

Specially developed to minimize odor from the septic tank in recreational boats.

- Developed for boats, but also suitable for summer cottages, motorhomes and caravans
- Environmentally friendly special liquid that cleans, prevents and minimizes bad smells in sanitary systems
- Mild and pleasant scent
- Biodegradable
- Will not harm metals, plastics or rubber

PN	Description	Volume	Usage
12-03-012-EN/SE*	Septic tank cleaner, deodorizer	4 Liter (4.2 qt)	Continual / Routine useage

* label with English text / English + Swedish tex

Marine Toilet Cleaner

- Disinfects septic tanks, preventing foul smells
- Decomposes waste, toilet paper
- Concentrated for sanitizing septic tanks to 500 L (132 USgal)

PN	Description	Capacity	Usage
12-03-005-EN/SE*	Septic tank cleaner, disinfectant – preventing odors, breaks down organic waste; 500 ml dosing bottle	sanitizes septic tanks up to 500 L (132 USgal)	Continual / Routine useage

* label with English text / English + Swedish tex



Holding Tank Treatment

Intermittent / Seasonal use



For cleaning waste water tanks and systems or fresh water tanks and systems. Eliminates unpleasant odour. Removes most kinds of deposits. Decomposes waste, toilet paper. For Intermittent / Seasonal use to maintain the system / beginning – end of season.

Freshwater tanks and systems

Water Tank Cleaner -No Chlorine

ONLY TO BE USED FOR SEASONAL CLEANING OF FRESH WATER TANKS.

Intermittent / seasonal freshwater tank treatment. Should always be used at the beginning / end of the season, or as needed.

- Cleans water tanks, pipes, pumps and hoses
- Removes deposits and other impurities
- Odorless and tasteless
- Will not harm metals, plastics or rubber

PN	Description	Capacity	Usage
12-02-004-EN / SE*	Seasonal water tank / system cleaner, 500ml bottle	Sufficient for 160 L (42 USgal) tank capacity	Intermittent / Seasonal useage

* label with English text / English + Swedish tex



Wastewater tanks and systems

Marine Toilet System Reset Powder

ONLY TO BE USED FOR SEASONAL CLEANING OF WASTE WATER TANKS.

Intermittent / seasonal wastewater tank treatment. Should always be used at the beginning / end of the season, or as needed.

- Cleans waste water tanks, pipes and hoses
- Automatically removes most types of deposits and eliminates unpleasant odors
- Highly effective concentrate

PN	Description	Capacity	Usage
12-03-013-EN / SE*	Seasonal waste tank / system cleaner, 500 g bottle	Sufficient for 100 L (26.4 USgal) tank capacity	Intermittent / Seasonal useage

* label with English text / English + Swedish tex

[View other boat pumps made by Albin Pump Marine on our website.](#)