

Ambassador
MARINE

FORMERLY BRANDED AS
SHURflo

...products built for the elements.™



MARINE GRADE
FAUCETS & SINKS

Faucets • Showers • Sprayers • Accessories
Stainless Steel & Vessel Sinks • Drains

2020

CONVENIENCE
COMFORT
AND QUALITY

MARINE GRADE

This is what your boating experience is all about. Ambassador Marine products offer the Convenience and Comfort you're accustomed to at home, with the added Quality necessary to withstand the harsh marine environment.

Designed specifically for the marine customer, Ambassador Marine faucets, showers, sprayers and accessories carry added features such as stainless steel hardware, extended nickel-plating and state-of-the-art chroming process, ensuring long lasting quality and satisfaction.

Ambassador Marine stainless steel & vessel sinks and drains incorporate design elements with the discerning boater in mind. Simple touches like our exclusive **SoundKOTE- Noise Reduction Technology**, versatile installation options, heavy gauge 304 stainless steel, tempered glass, real porcelain and coordinated marine-application specific drains will deliver on the "at home" feeling.

Offering an array of designs, styles and finishes, Ambassador Marine can satisfy all your faucet and sink needs from the transom shower to the galley. Ambassador Marine products are truly **...products built for the elements.™**



A BREATH OF INSPIRATION

Working within a space, and elevating it.
Blending high style with pure performance.
Delivering innovative, bold, beautiful solutions.
Always in tune with the surroundings.
A touch of grace. A modern line.
Meticulously engineered. Thoughtfully designed.
This is Danze by Gerber.

Ambassador
MARINE IS PROUD TO BE
THE EXCLUSIVE MARKETING PARTNER
TO THE MARINE INDUSTRY
OF THE COMPLETE LINE OF

danze®
by GERBER



Contact your Ambassador Marine sales representative for details and exclusive Marine Industry trade pricing

DANZE BY GERBER
D222536

RECESSED SHOWERS

STAINLESS STEEL LID



Recessed Shower— Stainless Steel Lid

SMALL MARINE SPRAYER SERIES

DESCRIPTION

Wall or deck mounting option • Solid cast 316 stainless steel lid with UV protected heavy duty ABS plastic cup • UV protected heavy duty ABS plastic Small Marine Sprayer has continuous or intermittent trigger spray with complete water shut-off • Heavy duty hose • Stainless steel mounting screws • Connection: 1/2" NPS-F

MODEL #	CUP & LID	SPRAYER FINISH	HOSE STYLE	HOSE LENGTH
136-0040-AW	Arctic White & Stainless Steel	Arctic White	White Rubber	6' (1.8 m)
136-0047-AW			White Rubber	10' (3 m)
136-0048-AW			Stainless Steel	6' (1.8 m)
136-0040-WH	Warm White & Stainless Steel	Warm White	White Rubber	6' (1.8 m)
136-0047-WH			White Rubber	10' (3 m)
136-0048-WH			Stainless Steel	6' (1.8 m)
136-0040-CP	Chrome & Stainless Steel	Chrome	Black Rubber	6' (1.8 m)
136-0040-CW			White Rubber	
137-0040-CW*				
136-0047-CW			White Rubber	10' (3 m)
136-0048-CP			Stainless Steel	6' (1.8 m)
136-0040-KP	Black & Stainless Steel	Black	Black Rubber	6' (1.8 m)
136-0048-KP			Stainless Steel	



PLASTIC LID

RECESSED SHOWERS



Recessed Shower— Plastic Lid

SMALL MARINE SPRAYER SERIES

DESCRIPTION

Wall or deck mounting option • UV protected heavy duty ABS plastic lid and cup • UV protected heavy duty ABS plastic Small Marine Sprayer has continuous or intermittent trigger spray with complete water shut-off • Heavy duty hose • Stainless steel mounting screws • Connection: 1/2" NPS-F

MODEL #	CUP & LID	SPRAYER FINISH	HOSE STYLE	HOSE LENGTH
136-0000-AW	Arctic White	Arctic White	White Rubber	6' (1.8 m)
136-0007-AW			White Rubber	10' (3 m)
136-0008-AW			Stainless Steel	6' (1.8 m)
136-0000-WH	Warm White	Warm White	White Rubber	6' (1.8 m)
137-0000-WH*				
136-0007-WH			White Rubber	10' (3 m)
136-0008-WH			Stainless Steel	6' (1.8 m)
136-0000-CP	Chrome	Chrome	Black Rubber	6' (1.8 m)
136-0000-CW			White Rubber	
136-0007-CW				
136-0008-CW			White Rubber	10' (3 m)
136-0008-CP			Stainless Steel	6' (1.8 m)
136-0000-KP	Black	Black	Black Rubber	6' (1.8 m)
136-0008-KP			Stainless Steel	



Recessed Shower— Stainless Steel Lid

HAMMER-HEAD SPRAYER SERIES

DESCRIPTION

Wall or deck mounting option • Solid cast 316 stainless steel lid with UV protected heavy duty ABS plastic cup • UV protected heavy duty brass and ABS plastic Hammer-Head Sprayer has continuous or intermittent trigger spray with complete water shut-off • Heavy duty hose • Stainless steel mounting screws • Connection: 1/2" NPS-F

MODEL #	CUP & LID	SPRAYER FINISH	HOSE STYLE	HOSE LENGTH
136-0042-AW	Arctic White & Stainless Steel	Arctic White & Chrome	White Rubber	6' (1.8 m)
136-0044-AW			White Rubber	10' (3 m)
136-0043-AW			Stainless Steel	6' (1.8 m)
136-0042-WH	Warm White & Stainless Steel	Warm White & Chrome	White Rubber	6' (1.8 m)
136-0044-WH			White Rubber	10' (3 m)
136-0043-WH			Stainless Steel	6' (1.8 m)
136-0042-CA	Chrome & Stainless Steel	Arctic White & Chrome	White Rubber	6' (1.8 m)
136-0044-CA			White Rubber	10' (3 m)
136-0043-CA			Stainless Steel	6' (1.8 m)
136-0042-CW			Warm White & Chrome	White Rubber
136-0044-CW	White Rubber	10' (3 m)		
136-0043-CW	Stainless Steel	6' (1.8 m)		
136-0042-CP*	Black & Chrome	Black & Chrome	Black Rubber	6' (1.8 m)
136-0043-CP*			Stainless Steel	
136-0042-KP	Black & Stainless Steel	Black & Chrome	Black Rubber	6' (1.8 m)
136-0043-KP			Stainless Steel	



Recessed Shower— Plastic Lid

HAMMER-HEAD SPRAYER SERIES

DESCRIPTION

Wall or deck mounting option • UV protected heavy duty ABS plastic lid and cup • UV protected heavy duty brass and ABS plastic Hammer-Head Sprayer has continuous or intermittent trigger spray with complete water shut-off • Heavy duty hose • Stainless steel mounting screws • Connection: 1/2" NPS-F

MODEL #	CUP & LID	SPRAYER FINISH	HOSE STYLE	HOSE LENGTH
136-0012-AW	Arctic White	Arctic White & Chrome	White Rubber	6' (1.8 m)
136-0014-AW			White Rubber	10' (3 m)
136-0016-AW			Stainless Steel	6' (1.8 m)
136-0012-WH	Warm White	Warm White & Chrome	White Rubber	6' (1.8 m)
136-0014-WH			White Rubber	10' (3 m)
136-0016-WH			Stainless Steel	6' (1.8 m)
136-0012-CA	Chrome	Arctic White & Chrome	White Rubber	6' (1.8 m)
136-0014-CA			White Rubber	10' (3 m)
136-0016-CA			Stainless Steel	6' (1.8 m)
136-0012-CW			Warm White & Chrome	White Rubber
136-0014-CW	White Rubber	10' (3 m)		
136-0016-CW	Stainless Steel	6' (1.8 m)		
136-0012-CP	Black & Chrome	Black & Chrome	Black Rubber	6' (1.8 m)
136-0016-CP			Stainless Steel	
136-0012-KP	Black	Black & Chrome	Black Rubber	6' (1.8 m)
136-0016-KP			Stainless Steel	



* Aftermarket Packaging * Not Pictured

* Aftermarket Packaging

RECESSED CONTROL VALVES



Recessed Control Valve— Hot & Cold Mixer

AIDACK™ SERIES

MODEL #	CUP & LID	DESCRIPTION
136-1741-CA	Arctic White & Stainless Steel	1-handle hot and cold mixer • Solid cast 316 stainless steel lid • Chrome Aidack™ handle • Flexible stainless steel braided supply line hoses • All brass valve body • Ceramic disc valve • Wall or deck mounting option • UV protected heavy duty ABS plastic cup • Stainless steel mounting screws • Connections: 1/2" NPS-M
136-1741-CW	Warm White & Stainless Steel	
136-1741-CP	Chrome & Stainless Steel	
136-1741-CK	Black & Stainless Steel	
136-1711-CA	Arctic White	1-handle hot and cold mixer • UV protected heavy duty ABS plastic lid • Chrome Aidack™ handle • Flexible stainless steel braided supply line hoses • All brass valve body • Ceramic disc valve • Wall or deck mounting option • UV protected heavy duty ABS plastic cup • Stainless steel mounting screws • Connections: 1/2" NPS-M
136-1711-CW	Warm White	
136-1711-CP [▲]	Chrome	
136-1711-CK [▲]	Black	



Recessed Control Valve— Cold Only

TRINIDAD™ SERIES

MODEL #	CUP & LID	DESCRIPTION
136-0249-CA	Arctic White & Stainless Steel	Cold only • Solid cast 316 stainless steel lid • Chrome Trinidad™ handle • All brass valve body • Ceramic disc valve • Wall or deck mounting option • UV protected heavy duty ABS plastic cup • Stainless steel mounting screws • Connections: 1/2" NPS-M
136-0249-CW	Warm White & Stainless Steel	
136-0249-CP	Chrome & Stainless Steel	
136-0249-CK	Black & Stainless Steel	
136-0209-CA	Arctic White	Cold only • UV protected heavy duty ABS plastic lid • Chrome Trinidad™ handle • All brass valve body • Ceramic disc valve • Wall or deck mounting option • UV protected heavy duty ABS plastic cup • Stainless steel mounting screws • Connections: 1/2" NPS-M
136-0209-CW	Warm White	
136-0209-CP [▲]	Chrome	
136-0209-CK [▲]	Black	

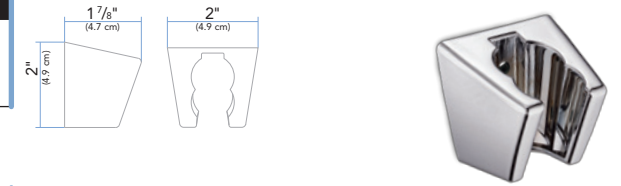


[▲] Not Pictured

RECESSED ACCESSORIES

Bulkhead Sprayer Holder 2-Position

MODEL #	FINISH	DESCRIPTION
131-0042-CP [*]	Chrome	Works with most 1/2" hoses • Allows sprayers to sit up-right or angled • Plastic • Stainless steel mounting screws



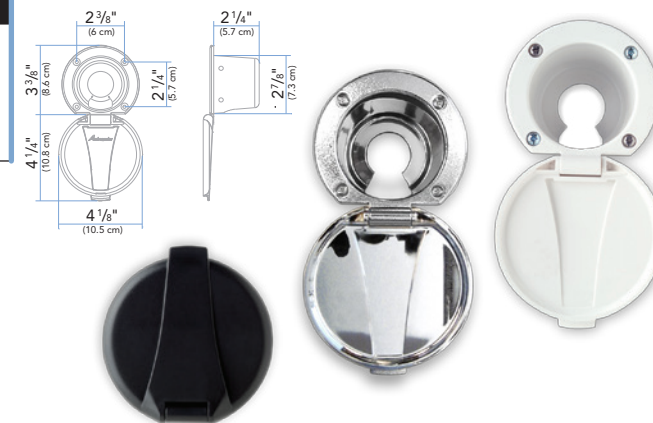
Recessed Cup & Lid Set STAINLESS STEEL LID

MODEL #	CUP & LID	DESCRIPTION
136-0015-AW	Arctic White & Stainless Steel	Wall or deck mounting option • Solid cast 316 stainless steel lid with UV protected heavy duty ABS plastic cup • Stainless steel mounting screws • For use with Ambassador Marine Recessed Showers and Control Valves
136-0015-WH	Warm White & Stainless Steel	
136-0015-CP	Chrome & Stainless Steel	
136-0015-KP	Black & Stainless Steel	



Recessed Cup & Lid Set PLASTIC LID

MODEL #	CUP & LID	DESCRIPTION
136-0005-AW	Arctic White	Wall or deck mounting option • UV protected heavy duty ABS plastic cup and lid • Stainless steel mounting screws • For use with Ambassador Marine Recessed Showers and Control Valves
136-0005-WH	Warm White	
136-0005-CP	Chrome	
136-0005-KP	Black	



Mesh Bag

MODEL #	FINISH	DESCRIPTION
136-0090-KP	Black	Breathable nylon mesh • 4x fastening push-in plastic rivets • Easy installation • Side or bottom supply access with plastic tie to secure • Works with all Ambassador Marine Recessed Shower styles
137-0090-KP [*]		



Recessed Shower sold separately (see pages 6 and 7)

^{*} Aftermarket Packaging

TRANSOM SHOWERS

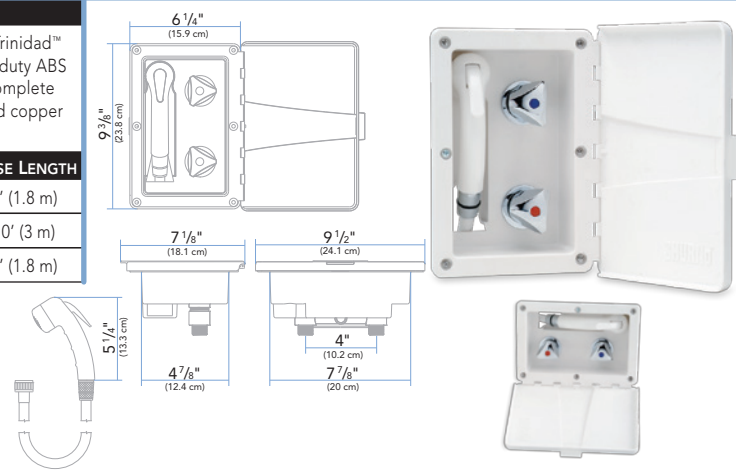
HOT & COLD MIXERS

Transom Shower

DESCRIPTION

Vertical or horizontal mounting option • 2-handle hot and cold mixer • Chrome Trinidad™ handles • UV protected heavy duty ABS plastic lid and box • UV protected heavy duty ABS plastic Small Marine Sprayer has continuous or intermittent trigger spray with complete water shut-off • Heavy duty hose • Stainless steel mounting screws • All brass and copper valve body • Ceramic disc valves • Connections: 1/2" NPS-M

MODEL #	BOX & LID	SPRAYER FINISH	HOSE STYLE	HOSE LENGTH
137-0203-CW*	Warm White	Warm White	White Rubber	6' (1.8 m)
136-0213-CW				10' (3 m)
136-0223-CW^			Stainless Steel	6' (1.8 m)



DECK-MOUNT SPRAYERS

WITH ELBOWS

Deck-Mount Sprayer- With Elbow

DESCRIPTION

UV protected heavy duty ABS plastic sprayer on chrome plated brass elbow • Continuous or intermittent trigger spray with complete water shut-off • Heavy duty hose • Chrome plated, low profile, all brass deck holder • Connection: 1/2" NPS-F

MODEL #	SPRAYER FINISH	HOOK	HOSE STYLE	HOSE LENGTH
134-0009-AW	Arctic White	With Hook	White Rubber	6' (1.8 m)
134-0033-AW			White Rubber	10' (3 m)
134-0031-AW			Stainless Steel	6' (1.8 m)
134-0020-AW		No Hook	White Rubber	6' (1.8 m)
134-0048-AW			White Rubber	10' (3 m)
134-0036-AW			Stainless Steel	6' (1.8 m)
134-0009-WH	Warm White	With Hook	White Rubber	6' (1.8 m)
134-0033-WH			White Rubber	10' (3 m)
134-0031-WH			Stainless Steel	6' (1.8 m)
134-0020-WH		No Hook	White Rubber	6' (1.8 m)
134-0048-WH			White Rubber	10' (3 m)
134-0036-WH			Stainless Steel	6' (1.8 m)
134-0009-CP^	Chrome	With Hook	Black Rubber	6' (1.8 m)
134-0009-CW^			White Rubber	6' (1.8 m)
134-0033-CW^			White Rubber	10' (3 m)
134-0031-CP		No Hook	Stainless Steel	6' (1.8 m)
134-0020-CP			Black Rubber	6' (1.8 m)
134-0020-CW			White Rubber	10' (3 m)
134-0048-CW		No Hook	White Rubber	10' (3 m)
134-0036-CP			Stainless Steel	6' (1.8 m)
134-0009-KP	Black	With Hook	Black Rubber	6' (1.8 m)
134-0031-KP			Stainless Steel	6' (1.8 m)
134-0020-KP			Black Rubber	6' (1.8 m)
134-0036-KP		No Hook	Stainless Steel	6' (1.8 m)

SMALL MARINE SPRAYER SERIES



* Aftermarket Packaging ^ Not Pictured

WITH ELBOWS

DECK-MOUNT SPRAYERS

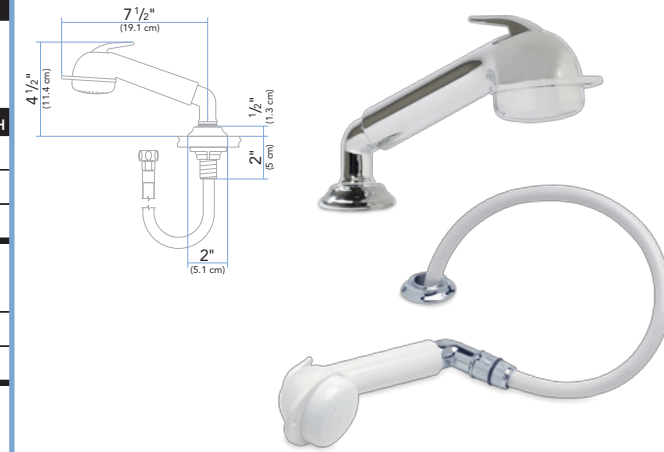
Deck-Mount Sprayer- With Elbow

DESCRIPTION

UV protected heavy duty ABS plastic sprayer on chrome plated brass elbow • Continuous or intermittent trigger spray with complete water shut-off • Heavy duty hose • Chrome plated, low profile, all brass deck holder • Connection: 1/2" NPS-F

MODEL #	SPRAYER FINISH	HOOK	HOSE STYLE	HOSE LENGTH
134-0008-WH [∞]	Warm White	With Hook	White Rubber	6' (1.8 m)
134-0058-WH [∞]			White Rubber	10' (3 m)
134-0057-WH [∞]			Stainless Steel	6' (1.8 m)
134-0008-CP [∞]	Chrome	With Hook	Black Rubber	6' (1.8 m)
134-0008-CW [∞]			White Rubber	10' (3 m)
134-0057-CP [∞]			Stainless Steel	6' (1.8 m)
134-0008-KP [∞]	Black	With Hook	Black Rubber	6' (1.8 m)
134-0057-KP [∞]			Stainless Steel	6' (1.8 m)

LARGE MARINE SPRAYER SERIES



Deck-Mount Sprayer- With Elbow

NEW FINISH

DESCRIPTION

UV protected heavy duty ABS plastic and chrome plated brass sprayer • Continuous or intermittent trigger spray with complete water shut-off • Heavy duty hose • Chrome plated, low profile, all brass deck holder • Connection: 1/2" NPS-F

MODEL #	SPRAYER FINISH	HOOK	HOSE STYLE	HOSE LENGTH
134-0041-AW	Arctic White & Chrome	N/A	White Rubber	6' (1.8 m)
134-0043-AW			White Rubber	10' (3 m)
134-0045-AW			Stainless Steel	6' (1.8 m)
134-0041-WH	Warm White & Chrome	N/A	White Rubber	6' (1.8 m)
134-0043-WH			White Rubber	10' (3 m)
134-0045-WH			Stainless Steel	6' (1.8 m)
134-0041-KP	Black & Chrome	N/A	Black Rubber	6' (1.8 m)
134-0045-KP			Stainless Steel	6' (1.8 m)

HAMMER-HEAD SPRAYER SERIES



Deck-Mount Sprayer- With Elbow

NEW FINISH

DESCRIPTION

UV protected heavy duty ABS plastic and chrome plated brass sprayer • 2-setting spray/stream with stand-by setting (NOTE: "stand-by" is NOT a complete water shut-off, it allows a small amount of water to continue to trickle) • Heavy duty hose • Chrome plated, low profile, all brass deck holder • Connection: 1/2" NPS-F

MODEL #	SPRAYER FINISH	HOOK	HOSE STYLE	HOSE LENGTH
134-0012-AW	Arctic White & Chrome	N/A	White Rubber	6' (1.8 m)
134-0035-AW			White Rubber	10' (3 m)
134-0034-AW			Stainless Steel	6' (1.8 m)
134-0012-WH	Warm White & Chrome	N/A	White Rubber	6' (1.8 m)
134-0035-WH			White Rubber	10' (3 m)
134-0034-WH			Stainless Steel	6' (1.8 m)
134-0012-KP	Black & Chrome	N/A	Black Rubber	6' (1.8 m)
134-0034-KP			Stainless Steel	6' (1.8 m)

CLASSIC SPRAYER SERIES



^ Not Pictured ∞ Available While Supplies Last

DECK-MOUNT SPRAYERS

WITHOUT ELBOWS



Deck-Mount Sprayer SMALL MARINE SPRAYER SERIES

DESCRIPTION
UV protected heavy duty ABS plastic sprayer • Continuous or intermittent trigger spray with complete water shut-off • Heavy duty hose • Chrome plated, low profile, all brass deck holder • Connection: 1/2" NPS-F

MODEL #	SPRAYER FINISH	HOOK	HOSE STYLE	HOSE LENGTH
134-0011-AW	Arctic White	With Hook	White Rubber	6' (1.8 m)
134-0021-AW			White Rubber	10' (3 m)
134-0023-AW			Stainless Steel	6' (1.8 m)
134-0049-AW		No Hook	White Rubber	10' (3 m)
134-0051-AW			White Rubber	10' (3 m)
134-0050-AW			Stainless Steel	6' (1.8 m)
134-0011-WH	Warm White	With Hook	White Rubber	6' (1.8 m)
135-0011-WH*			White Rubber	10' (3 m)
134-0021-WH			White Rubber	10' (3 m)
134-0023-WH		Stainless Steel	6' (1.8 m)	
134-0049-WH		No Hook	White Rubber	10' (3 m)
134-0051-WH			White Rubber	10' (3 m)
134-0050-WH	Stainless Steel		6' (1.8 m)	
134-0011-CP	Chrome	With Hook	Black Rubber	6' (1.8 m)
134-0011-CW			White Rubber	10' (3 m)
134-0021-CW			White Rubber	10' (3 m)
134-0023-CP		No Hook	Stainless Steel	6' (1.8 m)
134-0049-CP			Black Rubber	10' (3 m)
134-0049-CW			White Rubber	10' (3 m)
134-0051-CW	No Hook	Black Rubber	10' (3 m)	
134-0050-CP		Stainless Steel	6' (1.8 m)	
134-0011-KP	Black	With Hook	Black Rubber	6' (1.8 m)
134-0023-KP^			Stainless Steel	6' (1.8 m)
134-0049-KP		No Hook	Black Rubber	10' (3 m)
134-0050-KP			Stainless Steel	6' (1.8 m)



Deck-Mount Sprayer LARGE MARINE SPRAYER SERIES

DESCRIPTION
UV protected heavy duty ABS plastic sprayer • Continuous or intermittent trigger spray with complete water shut-off • Heavy duty hose • Chrome plated, low profile, all brass deck holder • Connection: 1/2" NPS-F

MODEL #	SPRAYER FINISH	HOOK	HOSE STYLE	HOSE LENGTH
134-0010-WH∞	Warm White	With Hook	White Rubber	6' (1.8 m)
134-0053-WH∞			White Rubber	10' (3 m)
134-0052-WH∞			Stainless Steel	6' (1.8 m)
134-0010-CP∞	Chrome	With Hook	Black Rubber	6' (1.8 m)
134-0010-CW∞			White Rubber	10' (3 m)
134-0052-CP∞			Stainless Steel	6' (1.8 m)
134-0010-KP∞	Black	With Hook	Black Rubber	6' (1.8 m)
134-0052-KP^∞			Stainless Steel	6' (1.8 m)



* Aftermarket Packaging ^ Not Pictured ∞ Available While Supplies Last

WITHOUT ELBOWS

DECK-MOUNT SPRAYERS



Deck-Mount Sprayer HAMMER-HEAD SPRAYER SERIES

DESCRIPTION
UV protected heavy duty ABS plastic and chrome plated brass sprayer • Continuous or intermittent trigger spray with complete water shut-off • Heavy duty hose • Chrome plated, low profile, all brass deck holder • Connection: 1/2" NPS-F

MODEL #	SPRAYER FINISH	HOOK	HOSE STYLE	HOSE LENGTH
134-0040-AW	Arctic White & Chrome	N/A	White Rubber	6' (1.8 m)
134-0042-AW			White Rubber	10' (3 m)
134-0044-AW			Stainless Steel	6' (1.8 m)
134-0040-WH	Warm White & Chrome	N/A	White Rubber	6' (1.8 m)
134-0042-WH			White Rubber	10' (3 m)
134-0044-WH			Stainless Steel	6' (1.8 m)
134-0040-KP	Black & Chrome	N/A	Black Rubber	6' (1.8 m)
134-0044-KP			Stainless Steel	6' (1.8 m)



CONTROL VALVES

Control Valve- Cold Only

MODEL #	FINISH	DESCRIPTION
136-0204-CP	Chrome	Cold only • Trinidad™ handle • All brass valve body • Wall or deck mounting option • Ceramic disc valve • Connections: 1/2" NPS-M

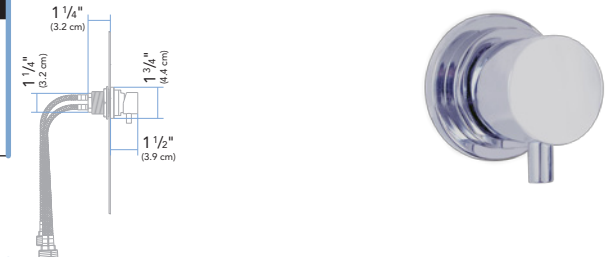
TRINIDAD™ SERIES



Control Valve- Hot & Cold Mixer

MODEL #	FINISH	DESCRIPTION
136-1706-CP	Chrome	1-handle hot and cold mixer • Aidack™ handle • Flexible stainless steel braided supply line hoses • All brass valve body • Easy installation • Wall or deck mounting option • Ceramic disc valve • Connections: 1/2" NPS-M

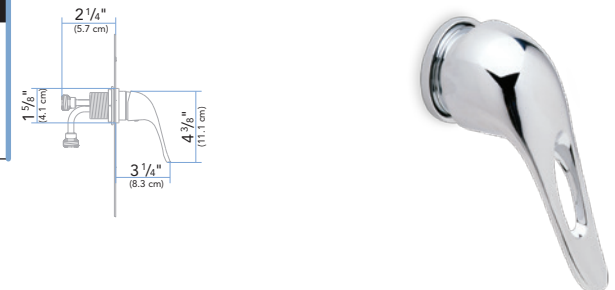
AIDACK™ SERIES



Control Valve- Hot & Cold Mixer

MODEL #	FINISH	DESCRIPTION
136-0106-CP	Chrome	1-handle hot and cold mixer • Stasis™ handle • All brass valve body • Easy installation • Wall or deck mounting option • Ceramic disc valve • Connections: 1/2" NPS-M

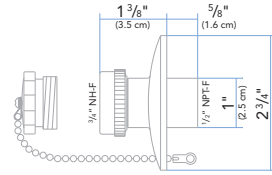
STASIS™ SERIES



WATER INLETS / OUTLETS

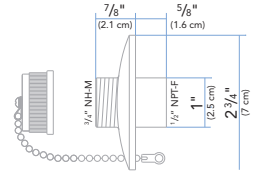
Water Inlet

MODEL #	FINISH	DESCRIPTION
P56-0190-SS*	Stainless Steel	Bright polished solid 316 stainless steel • Stainless steel chain with nylon cap • Connection: 3/4"-F Garden Hose to 1/2" NPT-F • Uses #8 fasteners (not included)
P56-0191-SS		



Water Outlet

MODEL #	FINISH	DESCRIPTION
P56-0200-SS*	Stainless Steel	Bright polished solid 316 stainless steel • Stainless steel chain with nylon cap • Connection: 3/4"-M Garden Hose to 1/2" NPT-F • Uses #8 fasteners (not included)
P56-0201-SS		



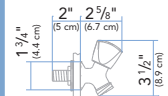
SPIGOTS & TAPS

COLD ONLY

Stainless Steel Spigot— Raw Water or Cold Only

TRINIDAD™ SERIES

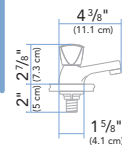
MODEL #	FINISH	DESCRIPTION
133-0216-SS*	Stainless Steel	Cold only • Cast 316 stainless steel body and handle • All 316 stainless steel compression valve • Connection: 1/2" NPS-M supply and 3/4" NH-M hose bib



Deck Tap— Cold Only

TRINIDAD™ SERIES

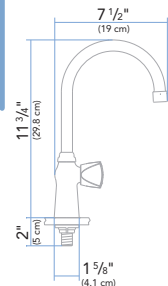
MODEL #	FINISH	DESCRIPTION
133-0211-CP*	Chrome	Cold only • Cast brass body • Ceramic disc valve • Connection: 1/2" NPS-M



High Arc Galley Tap— Cold Only

TRINIDAD™ SERIES

MODEL #	FINISH	DESCRIPTION
132-0206-CP	Chrome	Cold only • Cast brass body with brass high arc swivel spout • Ceramic disc valve
133-0206-CP*		• Connections: 1/2" NPS-M



* Aftermarket Packaging

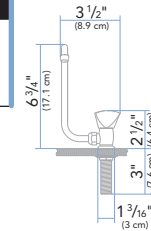
COLD ONLY

FOLDING TAPS

Folding Tap— Cold Only

TRINIDAD™ SERIES

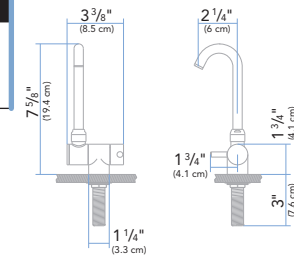
MODEL #	FINISH	DESCRIPTION
133-0208-CP*	Chrome	Cold only • Spout rotates up and down • All brass body and spout • Compression valve • Connection: 1/2" NPS-M



Elite Folding Tap (J-Spout)— Cold Only

AIDACK™ SERIES

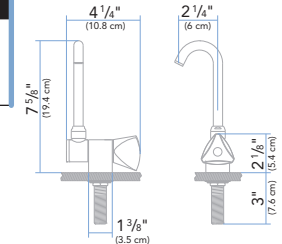
MODEL #	FINISH	DESCRIPTION
132-1709-CP	Chrome	Cold only • Spout rotates up and down and swivels side to side • All brass body and spout • Ceramic disc valve • Connection: 1/2" NPS-M



Elite Folding Tap (J-Spout)— Cold Only

TRINIDAD™ SERIES

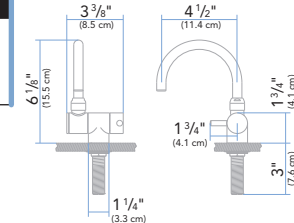
MODEL #	FINISH	DESCRIPTION
133-0209-CP*	Chrome	Cold only • Spout rotates up and down and swivels side to side • All brass body and spout • Ceramic disc valve • Connection: 1/2" NPS-M



Elite Folding Tap (Arc Spout)— Cold Only

AIDACK™ SERIES

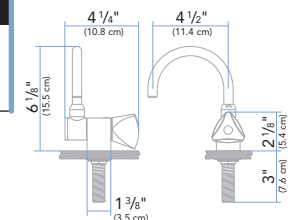
MODEL #	FINISH	DESCRIPTION
132-1729-CP	Chrome	Cold only • Spout rotates up and down and swivels side to side • All brass body and spout • Ceramic disc valve • Connection: 1/2" NPS-M



Elite Folding Tap (Arc Spout)— Cold Only

TRINIDAD™ SERIES

MODEL #	FINISH	DESCRIPTION
133-0229-CP	Chrome	Cold only • Spout rotates up and down and swivels side to side • All brass body and spout • Ceramic disc valve • Connection: 1/2" NPS-M



* Aftermarket Packaging

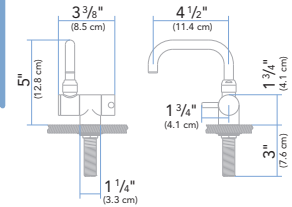
FOLDING TAPS

COLD ONLY

Elite Folding Tap (Angled Spout)— Cold Only

AIDACK™ SERIES

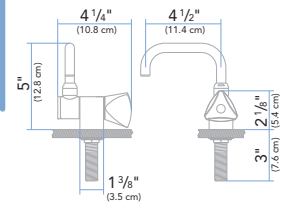
MODEL #	FINISH	DESCRIPTION
132-1739-CP	Chrome	Cold only • Spout rotates up and down and swivels side to side • All brass body and spout • Ceramic disc valve • Connection: 1/2" NPS-M



Elite Folding Tap (Angled Spout)— Cold Only

TRINIDAD™ SERIES

MODEL #	FINISH	DESCRIPTION
133-0239-CP	Chrome	Cold only • Spout rotates up and down and swivels side to side • All brass body and spout • Ceramic disc valve • Connection: 1/2" NPS-M



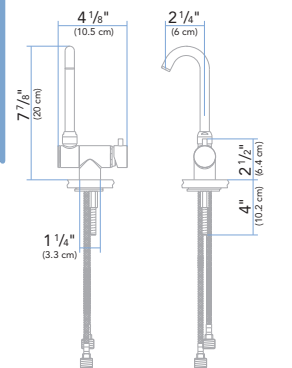
FOLDING FAUCETS

HOT & COLD MIXERS

Elite Folding Faucet (J-Spout)— Hot & Cold Mixer

AIDACK™ SERIES

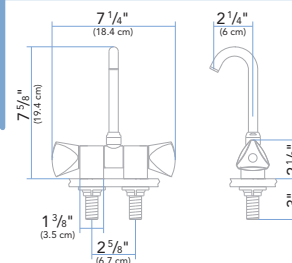
MODEL #	FINISH	DESCRIPTION
132-1725-CP	Chrome	1-handle hot and cold mixer • Spout rotates up and down and swivels side to side • Flexible stainless steel braided supply line hoses • All brass body and spout • Ceramic disc valve • Connections: 1/2" NPS-M



Elite Folding Faucet (J-Spout)— Hot & Cold Mixer

TRINIDAD™ SERIES

MODEL #	FINISH	DESCRIPTION
133-0210-CP*	Chrome	2-handle hot and cold mixer • Spout rotates up and down and swivels side to side • All brass body and spout • Ceramic disc valves • Connections: 1/2" NPS-M



* Aftermarket Packaging

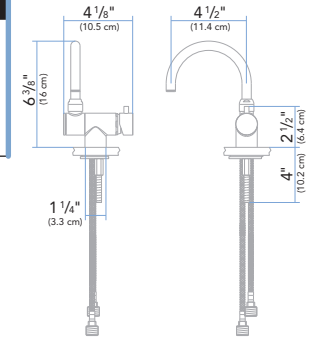
HOT & COLD MIXERS

FOLDING FAUCETS

Elite Folding Faucet (Arc Spout)— Hot & Cold Mixer

AIDACK™ SERIES

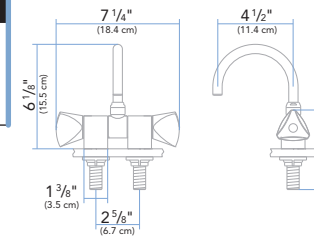
MODEL #	FINISH	DESCRIPTION
132-1726-CP	Chrome	1-handle hot and cold mixer • Spout rotates up and down and swivels side to side • Flexible stainless steel braided supply line hoses • All brass body and spout • Ceramic disc valve • Connections: 1/2" NPS-M



Elite Folding Faucet (Arc Spout)— Hot & Cold Mixer

TRINIDAD™ SERIES

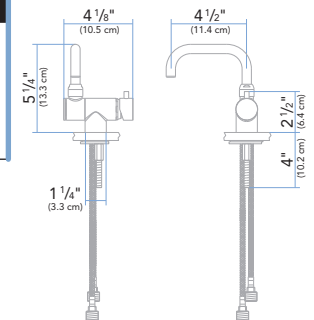
MODEL #	FINISH	DESCRIPTION
133-0230-CP	Chrome	2-handle hot and cold mixer • Spout rotates up and down and swivels side to side • All brass body and spout • Ceramic disc valves • Connections: 1/2" NPS-M



Elite Folding Faucet (Angled Spout)— Hot & Cold Mixer

AIDACK™ SERIES

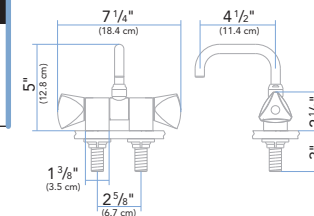
MODEL #	FINISH	DESCRIPTION
132-1727-CP	Chrome	1-handle hot and cold mixer • Spout rotates up and down and swivels side to side • Flexible stainless steel braided supply line hoses • All brass body and spout • Ceramic disc valve • Connections: 1/2" NPS-M



Elite Folding Faucet (Angled Spout)— Hot & Cold Mixer

TRINIDAD™ SERIES

MODEL #	FINISH	DESCRIPTION
133-0240-CP	Chrome	2-handle hot and cold mixer • Spout rotates up and down and swivels side to side • All brass body and spout • Ceramic disc valves • Connections: 1/2" NPS-M



PULL-OUT DECK TAPS

COLD ONLY

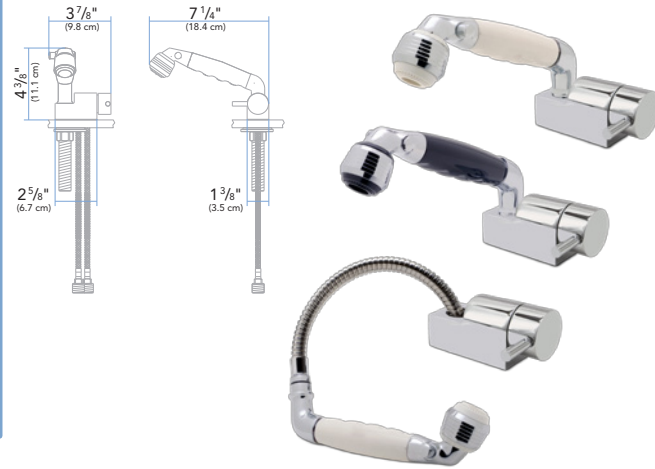
Pull-Out Deck Tap (Classic Sprayer)— Cold Only

NEW FINISH
DESCRIPTION
Cold only • Classic Marine Sprayer has 2-setting spray/stream with stand-by setting (NOTE: "stand-by" is NOT a complete water shut-off, it allows a small amount of water to continue to trickle) • Chrome plated all brass body • Flexible stainless steel braided supply line hoses • Ceramic disc valve • Connection: 1/2" NPS-M

MODEL #	BODY FINISH	SPRAYER FINISH	HOSE STYLE	HOSE LENGTH
134-1712-CA	Chrome	Arctic White & Chrome With "Locking Teeth"	White Rubber	6' (1.8 m)
134-1735-CA			Stainless Steel	10' (3 m)
134-1734-CA			Stainless Steel	6' (1.8 m)
134-1712-CW	Chrome	Warm White & Chrome With "Locking Teeth"	White Rubber	6' (1.8 m)
134-1735-CW			Stainless Steel	10' (3 m)
134-1734-CW			Stainless Steel	6' (1.8 m)
134-1712-CK	Chrome	Black & Chrome With "Locking Teeth"	Black Rubber	6' (1.8 m)
134-1734-CK			Stainless Steel	6' (1.8 m)

"Locking Teeth" prevent sprayer from rotating while in faucet body or bulkhead holder

AIDACK™ SERIES



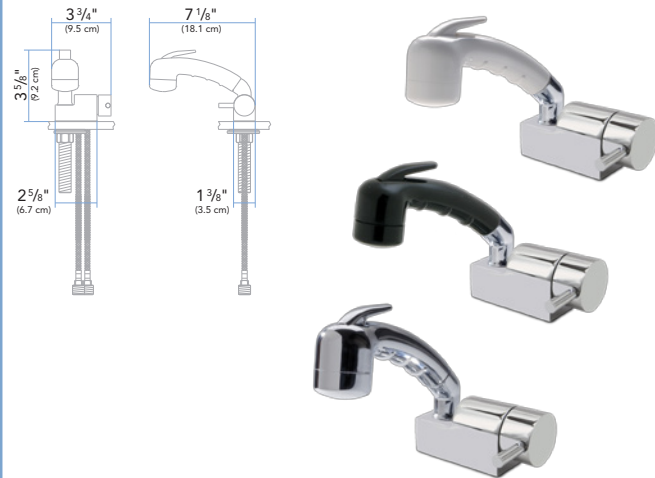
Pull-Out Deck Tap (Small Sprayer)— Cold Only

NEW FINISH
DESCRIPTION
Cold only • Small Marine Sprayer has continuous or intermittent trigger spray with complete water shut-off • Chrome plated all brass body • Flexible stainless steel braided supply line hoses • Ceramic disc valve • Connection: 1/2" NPS-M

MODEL #	BODY FINISH	SPRAYER FINISH	HOSE STYLE	HOSE LENGTH
134-1720-CA	Chrome	Arctic White With "Locking Teeth"	White Rubber	6' (1.8 m)
134-1748-CA			Stainless Steel	10' (3 m)
134-1736-CA			Stainless Steel	6' (1.8 m)
134-1720-CW	Chrome	Warm White With "Locking Teeth"	White Rubber	6' (1.8 m)
134-1748-CW			Stainless Steel	10' (3 m)
134-1736-CW			Stainless Steel	6' (1.8 m)
134-1720-CP	Chrome	Chrome With "Locking Teeth"	Black Rubber	6' (1.8 m)
134-1736-CP			Stainless Steel	6' (1.8 m)
134-1720-CK	Chrome	Black With "Locking Teeth"	Black Rubber	6' (1.8 m)
134-1736-CK			Stainless Steel	6' (1.8 m)

"Locking Teeth" prevent sprayer from rotating while in faucet body or bulkhead holder

AIDACK™ SERIES



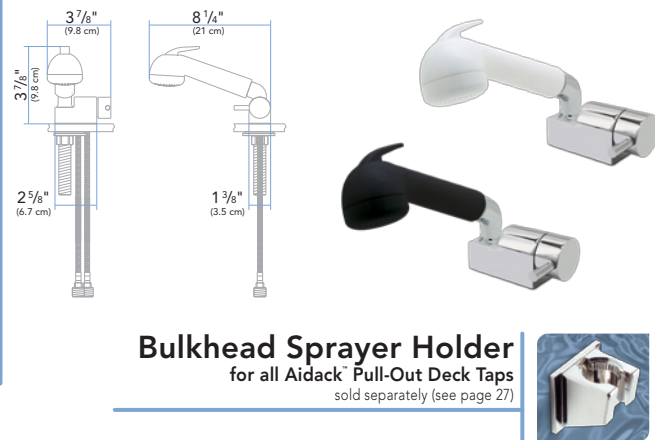
Pull-Out Deck Tap (Large Sprayer)— Cold Only

DESCRIPTION
Cold only • Large Marine Sprayer has continuous or intermittent trigger spray with complete water shut-off • Chrome plated all brass body • Flexible stainless steel braided supply line hoses • Ceramic disc valve • Connection: 1/2" NPS-M

MODEL #	BODY FINISH	SPRAYER FINISH	HOSE STYLE	HOSE LENGTH
134-1759-CW	Chrome	Warm White With "Locking Teeth"	White Rubber	6' (1.8 m)
134-1761-CW			Stainless Steel	10' (3 m)
134-1760-CW			Stainless Steel	6' (1.8 m)
134-1759-CP	Chrome	Chrome With "Locking Teeth"	Black Rubber	6' (1.8 m)
134-1760-CP			Stainless Steel	6' (1.8 m)
134-1759-CK	Chrome	Black With "Locking Teeth"	Black Rubber	6' (1.8 m)
134-1760-CK			Stainless Steel	6' (1.8 m)

"Locking Teeth" prevent sprayer from rotating while in faucet body or bulkhead holder

AIDACK™ SERIES



Bulkhead Sprayer Holder
for all Aidack™ Pull-Out Deck Taps
sold separately (see page 27)



▲ Not Pictured ∞ Available While Supplies Last

HOT & COLD MIXER

HEAD/SHOWER COMBO

Head/Shower Combo or Pull-Out Faucet (Classic Sprayer)— Hot & Cold Mixer

NEW FINISH
DESCRIPTION
2-handle hot and cold mixer • Classic Marine Sprayer has 2-setting spray/stream with stand-by setting (NOTE: "stand-by" is NOT a complete water shut-off, it allows a small amount of water to continue to trickle) • Chrome plated all brass body • Flexible stainless steel braided supply line hoses • Ceramic disc valves • Connections: 1/2" NPS-M

MODEL #	BODY FINISH	SPRAYER FINISH	HOSE STYLE	HOSE LENGTH
134-0204-CA	Chrome	Arctic White & Chrome With "Locking Teeth"	White Rubber	6' (1.8 m)
134-0262-CA			Stainless Steel	10' (3 m)
134-0224-CA			Stainless Steel	6' (1.8 m)
134-0204-CW	Chrome	Warm White & Chrome With "Locking Teeth"	White Rubber	6' (1.8 m)
135-0204-CW*			Stainless Steel	10' (3 m)
134-0224-CW			Stainless Steel	6' (1.8 m)
134-0263-CW	Chrome	Warm White & Chrome No "Locking Teeth"	White Rubber	6' (1.8 m)
134-0264-CW			Stainless Steel	10' (3 m)
134-0230-CW			Stainless Steel	6' (1.8 m)
134-0204-CK	Chrome	Black & Chrome With "Locking Teeth"	Black Rubber	6' (1.8 m)
134-0224-CK			Stainless Steel	6' (1.8 m)
134-0263-CK			Black Rubber	6' (1.8 m)
134-0230-CK	Stainless Steel	6' (1.8 m)	6' (1.8 m)	

"Locking Teeth" prevent sprayer from rotating while in faucet body or bulkhead holder

TRINIDAD™ SERIES



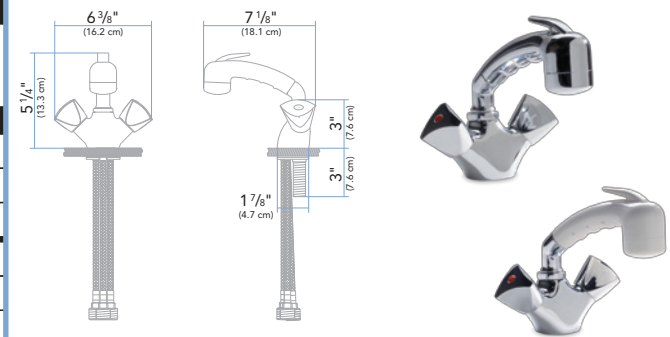
Head/Shower Combo or Pull-Out Faucet (Small Sprayer)— Hot & Cold Mixer

NEW FINISH
DESCRIPTION
2-handle hot and cold mixer • Small Marine Sprayer has continuous or intermittent trigger spray with complete water shut-off • Chrome plated all brass body • Flexible stainless steel braided supply line hoses • Ceramic disc valves • Connections: 1/2" NPS-M

MODEL #	BODY FINISH	SPRAYER FINISH	HOSE STYLE	HOSE LENGTH
134-0213-CA	Chrome	Arctic White With "Locking Teeth"	White Rubber	6' (1.8 m)
134-0266-CA			Stainless Steel	10' (3 m)
134-0265-CA			Stainless Steel	6' (1.8 m)
134-0213-CW	Chrome	Warm White With "Locking Teeth"	White Rubber	6' (1.8 m)
134-0266-CW			Stainless Steel	10' (3 m)
134-0265-CW			Stainless Steel	6' (1.8 m)
134-0213-CP	Chrome	Chrome With "Locking Teeth"	Black Rubber	6' (1.8 m)
134-0265-CP			Stainless Steel	6' (1.8 m)
134-0213-CK	Chrome	Black With "Locking Teeth"	Black Rubber	6' (1.8 m)
134-0265-CK			Stainless Steel	6' (1.8 m)

"Locking Teeth" prevent sprayer from rotating while in faucet body or bulkhead holder

TRINIDAD™ SERIES



Bulkhead Sprayer Holder
for all Trinidad™ Head/Shower Combo Faucets
sold separately (see page 27)



* Aftermarket Packaging ▲ Not Pictured ∞ Available While Supplies Last

HEAD/SHOWER COMBO

HOT & COLD MIXERS

Head/Shower Combo or Pull-Out Faucet (Large Sprayer)— Hot & Cold Mixer

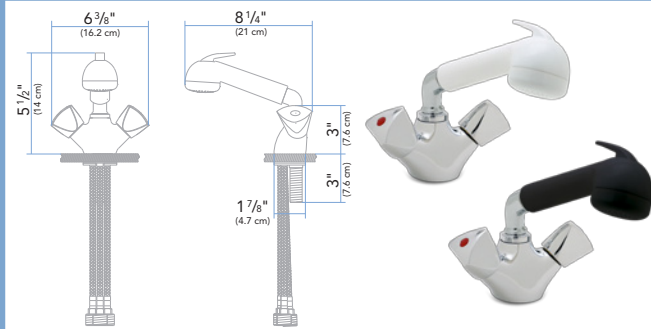
DESCRIPTION

2-handle hot and cold mixer • Large Marine Sprayer has continuous or intermittent trigger spray with complete water shut-off • Chrome plated all brass body • Flexible stainless steel braided supply line hoses • Ceramic disc valves • Connections: 1/2" NPS-M

MODEL #	BODY FINISH	SPRAYER FINISH	HOSE STYLE	HOSE LENGTH
134-0215-CW [∞]	Chrome	Warm White With "Locking Teeth"	White Rubber	6' (1.8 m)
134-0268-CW [∞]				10' (3 m)
134-0267-CW [∞]			Stainless Steel	6' (1.8 m)
134-0215-CP [∞]	Chrome	Chrome With "Locking Teeth"	Black Rubber	6' (1.8 m)
134-0267-CP [∞]				Stainless Steel
134-0215-CK [∞]	Chrome	Black With "Locking Teeth"	Black Rubber	6' (1.8 m)
134-0267-CK [∞]				Stainless Steel

"Locking Teeth" prevent sprayer from rotating while in faucet body or bulkhead holder

TRINIDAD™ SERIES



Bulkhead Sprayer Holder
for all Trinidad™ Head/Shower Combo Faucets
sold separately (see page 27)



Head/Shower Combo or Pull-Out Faucet (Wand Sprayer)— Hot & Cold Mixer

DESCRIPTION

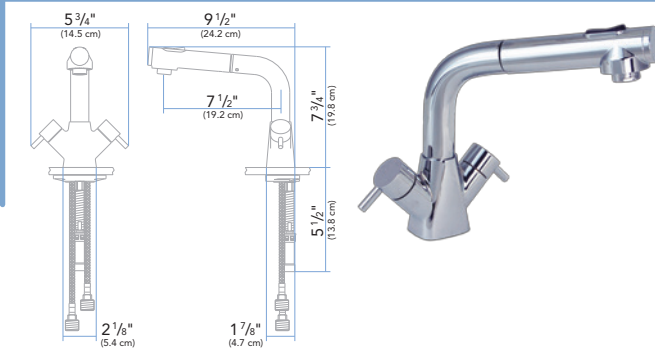
2-handle hot and cold mixer • 2-setting spray/stream pull-out wand sprayer • Cast brass body with brass high arc swivel spout • Flexible stainless steel braided supply line hoses • Quick-connect pull-out hose adapter • Ceramic disc valves • Connections: 1/2" NPS-M

MODEL #	BODY FINISH	SPRAYER FINISH	HOSE STYLE	HOSE LENGTH
135-1737-CP [∞]	Chrome	Chrome	Stainless Steel	6' (1.8 m)
134-1739-CP [∞]				

Bulkhead Sprayer Holder
for all Aidack™ Head/Shower Combo Faucets
sold separately (see page 27)



AIDACK™ SERIES



GALLEY FAUCETS

HOT & COLD MIXERS

Small Pull-Out Galley Faucet

STASIS™ SERIES

MODEL #	FINISH	DESCRIPTION
133-0112-CP [*]	Chrome	Spray and stream settings with lock-on spray mode • 4' (1.2 m) stainless steel pull-out hose • Flexible stainless steel braided supply line hoses • Quick-connect pull-out hose adapter • Swivel spout • Ceramic disc valve • Connections: 1/2" NPS-M



* Aftermarket Packaging ^ Not Pictured ∞ Available While Supplies Last = To Be Replaced When Inventory Is Depleted

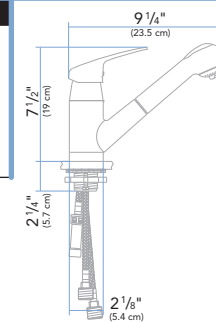
HOT & COLD MIXERS

GALLEY FAUCETS

Pull-Out Galley Faucet

NAUTILUS™ SERIES

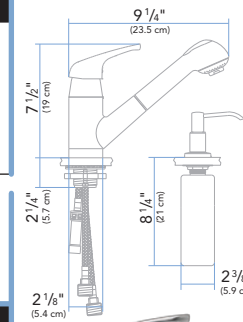
MODEL #	FINISH	DESCRIPTION
132-1003-NP ⁼	Brushed Nickel	Spray and stream settings with lock-on spray mode • 4' (1.2 m) stainless steel pull-out hose • Flexible stainless steel braided supply line hoses • Quick-connect pull-out hose adapter • Swivel spout • Ceramic disc valve • Connections: 1/2" NPS-M



Pull-Out Galley Faucet

PACIFICA™ (UNIVERSAL) SERIES

MODEL #	FINISH	DESCRIPTION
132-0003-CP ⁼	Chrome	Spray and stream settings with lock-on spray mode • 4' (1.2 m) stainless steel pull-out hose • Flexible stainless steel braided supply line hoses • Quick-connect pull-out hose adapter • Swivel spout • Ceramic disc valve • Connections: 1/2" NPS-M
132-0003-NP ⁼	Brushed Nickel	



Pull-Out Galley Faucet with Built-In Soap Dispenser

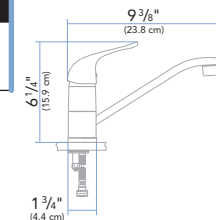
MODEL #	FINISH	DESCRIPTION
133-0017-CP ^{*∞}	Chrome	Pull-out galley faucet combined with built-in soap dispenser, see faucet description above and soap dispenser description on page 21.
133-0017-NP ^{*∞}	Brushed Nickel	



Galley Faucet

STASIS™ SERIES

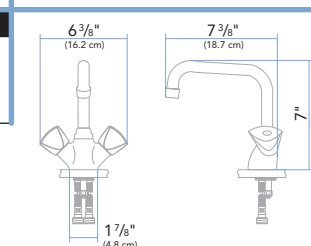
MODEL #	FINISH	DESCRIPTION
132-0101-CP	Chrome	All brass body and swivel spout • Ceramic disc valve • Connections: 1/2" NPS-M



Angled Spout Galley Faucet

TRINIDAD™ SERIES

MODEL #	FINISH	DESCRIPTION
132-0204-CP	Chrome	Cast brass body with brass swivel spout • Ceramic disc valves • Connections: 1/2" NPS-M



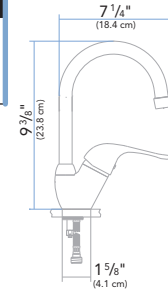
* Aftermarket Packaging ^ Not Pictured ∞ Available While Supplies Last = To Be Replaced When Inventory Is Depleted

GALLEY FAUCETS

HOT & COLD MIXERS

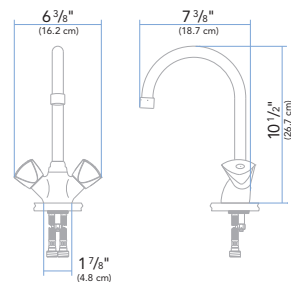
High Arc Galley Faucet STASIS™ SERIES

MODEL #	FINISH	DESCRIPTION
132-0102-CP	Chrome	Cast brass body with brass high arc swivel spout • Ceramic disc valve • Connections: 1/2" NPS-M



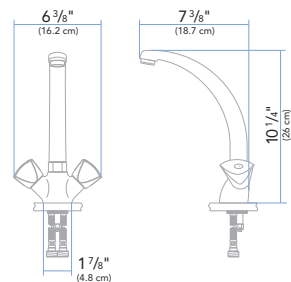
High Arc Galley Faucet TRINIDAD™ SERIES

MODEL #	FINISH	DESCRIPTION
133-0202-CP*	Chrome	Cast brass body with brass high arc swivel spout • Ceramic disc valves • Connections: 1/2" NPS-M



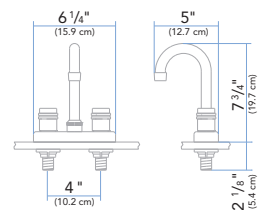
Cast Spout Galley Faucet TRINIDAD™ SERIES

MODEL #	FINISH	DESCRIPTION
132-0205-CP	Chrome	Cast brass body and high arc swivel spout • Ceramic disc valves • Connections: 1/2" NPS-M
132-0205-CG*	Chrome & 18k Gold	



4" Bar Faucet PISCES™ SERIES

MODEL #	FINISH	DESCRIPTION
133-0415-CG*∞	Chrome & 18k Gold	All brass body and swivel spout • Ceramic disc valves • Connections: 1/2" NPS-M



* Aftermarket Packaging ∞ Available While Supplies Last

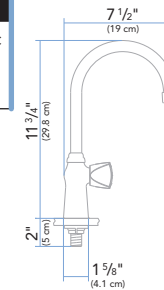
COLD ONLY

GALLEY TAPS

High Arc Galley Tap—Cold Only

TRINIDAD™ SERIES

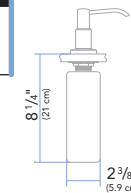
MODEL #	FINISH	DESCRIPTION
132-0206-CP	Chrome	Cold only • Cast brass body with brass high arc swivel spout • Ceramic disc valve • Connections: 1/2" NPS-M
133-0206-CP*		



GALLEY ACCESSORIES

Built-In Soap Dispenser

MODEL #	FINISH	DESCRIPTION
130-0011-CP≈	Chrome	Lift-out all brass nozzle for easy refill
130-0011-NP≈	Brushed Nickel	

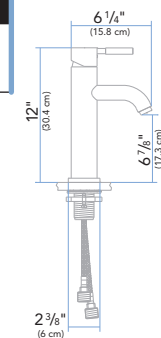


HOT & COLD MIXERS

VESSEL FAUCETS

Vessel Faucet AVIANI™ SERIES

MODEL #	FINISH	DESCRIPTION
132-0723-CP	Chrome	All brass body and spout • Ceramic disc valve • Connections: 1/2" NPS-M



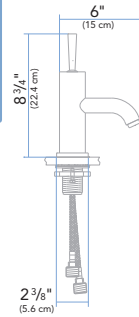
* Aftermarket Packaging ≈ To Be Replaced When Inventory Is Depleted

HEAD FAUCETS

HOT & COLD MIXERS

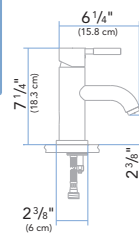
Head Faucet ALLURE™ SERIES

MODEL #	FINISH	DESCRIPTION
132-0600-CP	Chrome	"Joystick" control • Flexible stainless steel braided supply line hoses • All brass body and spout • Ceramic disc valve • Connections: 1/2" NPS-M



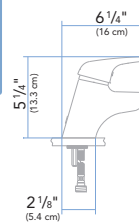
Head Faucet AVIANI™ SERIES

MODEL #	FINISH	DESCRIPTION
132-0700-CP	Chrome	All brass body and spout • Ceramic disc valve • Connections: 1/2" NPS-M
133-0700-CP*		



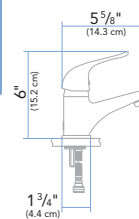
Head Faucet PACIFICA™ (UNIVERSAL) SERIES

MODEL #	FINISH	DESCRIPTION
132-0800-CP*	Chrome	Cast brass body • Ceramic disc valve • Connections: 1/2" NPS-M
132-0800-CG*	Chrome & 18k Gold	



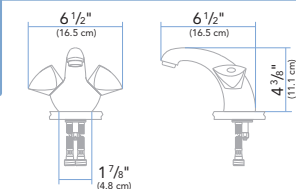
Head Faucet STASIS™ SERIES

MODEL #	FINISH	DESCRIPTION
132-0100-CP	Chrome	Cast brass body • Ceramic disc valve • Connections: 1/2" NPS-M
133-0100-CP*		



Head Faucet TRINIDAD™ SERIES

MODEL #	FINISH	DESCRIPTION
132-0207-CP*	Chrome	Cast brass body • Ceramic disc valves • Connections: 1/2" NPS-M
133-0207-CP*		



* Aftermarket Packaging ∞ Available While Supplies Last = To Be Replaced When Inventory Is Depleted

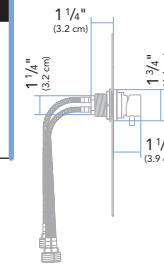
HOT & COLD MIXERS

SHOWER MIXERS

Mini Shower Mixer- Fiberglass / Thin Wall-Mount

MODEL #	FINISH	DESCRIPTION
136-1706-CP	Chrome	1-handle hot and cold mixer • Flexible stainless steel braided supply line hoses • All brass valve body • Easy installation • Wall or deck mounting option • Ceramic disc valve • Connections: 1/2" NPS-M

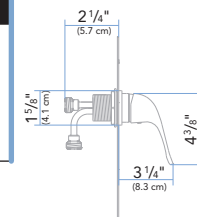
AIDACK™ SERIES



Mini Shower Mixer- Fiberglass / Thin Wall-Mount

MODEL #	FINISH	DESCRIPTION
136-0106-CP	Chrome	1-handle hot and cold mixer • Stasis™ handle • All brass valve body • Easy installation • Wall or deck mounting option • Ceramic disc valve • Connections: 1/2" NPS-M

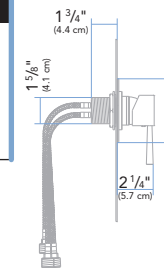
STASIS™ SERIES



Shower Mixer- Fiberglass / Thin Wall-Mount

MODEL #	FINISH	DESCRIPTION
134-0632-CP	Chrome	1-handle hot and cold mixer • Flexible stainless steel braided supply line hoses • All brass valve body • Easy installation, mounts directly to bulkhead • Ceramic disc valve • Connections: 1/2" NPS-M

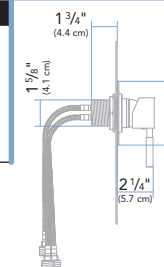
ALLURE™ SERIES



Shower Mixer- Fiberglass / Thin Wall-Mount

MODEL #	FINISH	DESCRIPTION
134-0732-CP	Chrome	1-handle hot and cold mixer • Flexible stainless steel braided supply line hoses • All brass valve body • Easy installation, mounts directly to bulkhead • Ceramic disc valve • Connections: 1/2" NPS-M

AVIANI™ SERIES



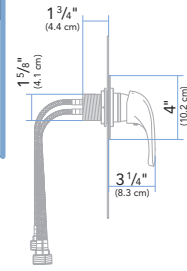
SHOWER MIXERS

HOT & COLD MIXERS

Shower Mixer— Fiberglass / Thin Wall-Mount

PACIFICA™ (UNIVERSAL) SERIES

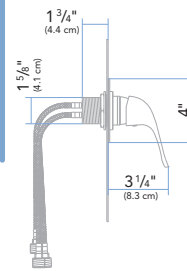
MODEL #	FINISH	DESCRIPTION
134-0832-CP*	Chrome	1-handle hot and cold mixer • Flexible stainless steel braided supply line hoses • All brass valve body • Easy installation, mounts directly to bulkhead • Ceramic disc valve • Connections: 1/2" NPS-M



Shower Mixer— Fiberglass / Thin Wall-Mount

STASIS™ SERIES

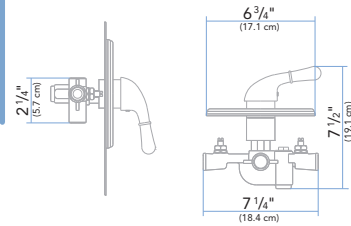
MODEL #	FINISH	DESCRIPTION
134-0132-CP	Chrome	1-handle hot and cold mixer • Flexible stainless steel braided supply line hoses • Solid brass valve body • Easy installation, mounts directly to bulkhead • Ceramic disc valve • Connections: 1/2" NPS-M
135-0132-CP*		



Shower Mixer— Pressure Balanced

ESTANCIA™ SERIES

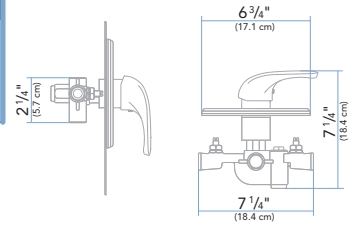
MODEL #	FINISH	DESCRIPTION
134-1205-CP*	Chrome	Pressure balanced valve ensures the water temperature stays within a safe 3° F (1.5° C) • Washerless valve system • Connections: 1/2" NPS-F



Shower Mixer— Pressure Balanced

PACIFICA™ (UNIVERSAL) SERIES

MODEL #	FINISH	DESCRIPTION
134-0805-CP*	Chrome	Pressure balanced valve ensures the water temperature stays within a safe 3° F (1.5° C) • Washerless valve system • Connections: 1/2" NPS-F
134-0805-CG*	Chrome & 18k Gold	



* Aftermarket Packaging ^ Not Pictured ∞ Available While Supplies Last = To Be Replaced When Inventory Is Depleted

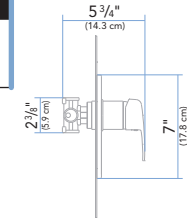
HOT & COLD MIXERS

SHOWER MIXERS

Shower Mixer— Standard

NAUTILUS™ SERIES

MODEL #	FINISH	DESCRIPTION
135-1002-NP*	Brushed Nickel	Tub feed plug included • Ceramic disc valve • Connections: 1/2" NPS-F

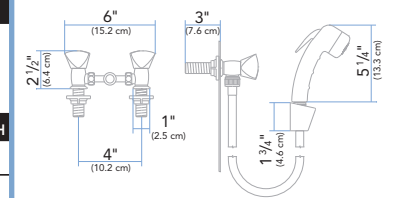


External Shower Mixer

TRINIDAD™ SERIES

DESCRIPTION				
Chrome plated all brass body • Small Marine Sprayer has continuous or intermittent trigger spray with complete water shut-off • Bulkhead sprayer holder • Compression valves • Connections: 1/2" NPS-M				

MODEL #	BODY FINISH	SPRAYER FINISH	HOSE STYLE	HOSE LENGTH
134-0214-CA	Chrome	Arctic White	White Rubber	6' (1.8 m)
134-0217-CA			Stainless Steel	10' (3 m)
134-0207-CA^			Stainless Steel	6' (1.8 m)
134-0214-CW	Chrome	Warm White	White Rubber	6' (1.8 m)
134-0217-CW			Stainless Steel	10' (3 m)
134-0207-CW^			Stainless Steel	6' (1.8 m)
134-0214-CP^	Chrome	Chrome	Black Rubber	6' (1.8 m)
134-0207-CP^			Stainless Steel	6' (1.8 m)
134-0214-CK^			Chrome	Black
134-0207-CK^	Stainless Steel	6' (1.8 m)		



SEA RAY SLX 310
FEATURING FAUCET# 132-1739-CP
& SINK# S64-6530-UM

* Aftermarket Packaging ^ Not Pictured ∞ Available While Supplies Last

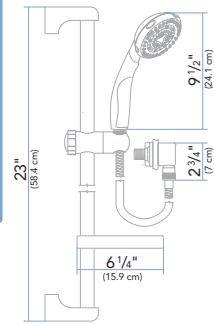
HAND-HELD SHOWERS

Elite Slide Bar Shower

DESCRIPTION

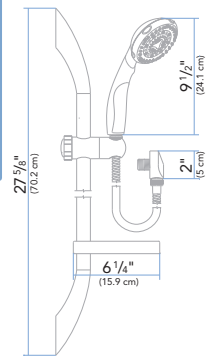
All metal slide bar and posts with stainless steel mounting screws • All brass 90° bulkhead elbow • Plastic adjustable soap dish • Metal cam-locking adjustable height and rotating sprayer holder • Connection: 1/2" NPS-M

MODEL #	FINISH	SPRAYER STYLE	HOSE STYLE	HOSE LENGTH
135-0000-CP*	Chrome	8-Function	Stainless Steel	6' (1.8 m)
134-0000-CG∞	Chrome & 18k Gold			
134-0018-CP^∞	Chrome			



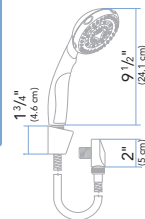
Standard Slide Bar Shower

MODEL #	FINISH	DESCRIPTION
134-0001-CP*	Chrome	Metal slide bar with plastic posts with stainless steel mounting screws • 8-Function plastic sprayer • 6' (1.8 m) stainless steel hose with back-flow preventer • Plastic 90° bulkhead elbow • Plastic adjustable soap dish • Metal cam-locking adjustable height and rotating sprayer holder • Connection: 1/2" NPS-M



Hand-Held Shower

MODEL #	FINISH	DESCRIPTION
134-0003-CP*	Chrome	8-Function plastic sprayer • 6' (1.8 m) stainless steel hose with back-flow preventer • Plastic bulkhead sprayer holder with stainless steel mounting screws • Plastic 90° bulkhead elbow • Connection: 1/2" NPS-M
135-0003-CP*		

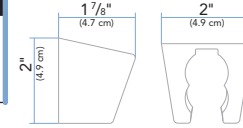


* Aftermarket Packaging ^ Not Pictured ∞ Available While Supplies Last = To Be Replaced When Inventory Is Depleted

SHOWER ACCESSORIES

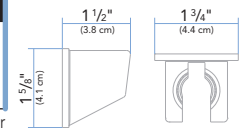
Bulkhead Sprayer Holder 2-Position

MODEL #	FINISH	DESCRIPTION
131-0042-CP*	Chrome	Works with most 1/2" hoses • Allows sprayers to sit up-right or angled • Plastic • Stainless steel mounting screws



Bulkhead Sprayer Holder for use with all Aidack™ Pull-Out Deck Taps & Trinidad™ Head/Shower Combo Faucets

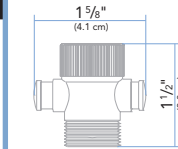
MODEL #	FINISH	DESCRIPTION
131-0212-CP*	Chrome	Specific for use with Ambassador sprayers with 15/16" Metric-F connections "with locking teeth" • Plastic • Stainless steel mounting screws



*"Locking Teeth" prevent sprayer from rotating while in faucet body or bulkhead holder

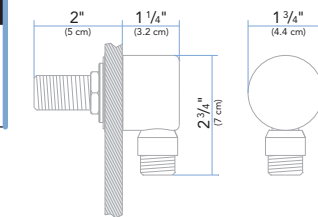
Stand-By Switch

MODEL #	FINISH	DESCRIPTION
131-0013-CP*	Chrome	Works with most 1/2" hoses • All brass • NOTE: "stand-by" is NOT a complete water shut-off, it allows a small amount of water to continue to trickle • Connections: 1/2" NPS-M & 1/2" NPS-F



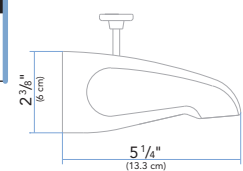
90° Bulkhead Elbow

MODEL #	FINISH	DESCRIPTION
130-0015-CP	Chrome	Works with most 1/2" hoses • All brass • Mounting hardware included • Connections: 1/2" NPS-M & 1/2" NPS-M
131-0015-CP*		
130-0015-CG∞	Chrome & 18k Gold	



Tub Spout

MODEL #	FINISH	DESCRIPTION
134-0006-CP∞	Chrome	All brass • Pull-up diverter switches to shower • Connection: 1/2" NPS-F
134-0006-GP∞	18k Gold	



* Aftermarket Packaging ∞ Available While Supplies Last

HEAD ACCESSORIES

NEW

Head Accessories MIAH™ SERIES

MODEL #	FINISH	DESCRIPTION
130-1810-CP	Chrome	Robe Hook
130-1807-CP		Towel Ring
130-1808-CP		Cup Holder
130-1809-CP		Soap Dish
130-1801-CP		Single Post T.P. Holder
130-1825-CP		18" (45.7 cm) Towel Bar Set
130-1838-CP		24" (60.9 cm) Towel Bar Set
130-1826-CP		Double Post T.P. Holder Set
130-0000-CP		T.P. Roller Only



COORDINATES WITH:

STASIS™ SERIES
TRINIDAD™ SERIES



Head Accessories STASIS™ SERIES

MODEL #	FINISH	DESCRIPTION
130-0110-CP≈	Chrome	Robe Hook
130-0107-CP≈		Towel Ring
130-0108-CP≈		Cup Holder
130-0109-CP≈		Soap Dish
130-0101-CP≈		Single Post T.P. Holder
130-0125-CP≈		18" (45.7 cm) Towel Bar Set
130-0126-CP≈		Double Post T.P. Holder Set
130-0106-CP≈		Towel Bar / T.P. Holder Post Set Only
130-0003-CP≈		18" (45.7 cm) Towel Bar Only
130-0000-CP		T.P. Roller Only



STASIS™ SERIES Accessories will be DISCONTINUED when inventory is depleted.
MIAH™ SERIES Accessories are the comparable replacements.
Please contact Ambassador for availability.

∞ Available While Supplies Last ≈ To Be Replaced When Inventory Is Depleted

HEAD ACCESSORIES

NEW

Head Accessories ELINA™ SERIES

MODEL #	FINISH	DESCRIPTION
130-1910-CP	Chrome	Robe Hook
130-1907-CP		Towel Ring
130-1908-CP		Cup Holder
130-1909-CP		Soap Dish
130-1901-CP		Single Post T.P. Holder
130-1925-CP		18" (45.7 cm) Towel Bar Set
130-1938-CP		24" (60.9 cm) Towel Bar Set



COORDINATES WITH:

AIDACK™ SERIES
ALLURE™ SERIES
AVIANI™ SERIES



Head Accessories ALLURE™ / AVIANI™ SERIES

MODEL #	FINISH	DESCRIPTION
130-1410-CP≈	Chrome	Robe Hook
130-1408-CP≈		Cup Holder
130-1409-CP≈		Soap Dish
130-1401-CP≈		Single Post T.P. Holder
130-1425-CP≈		18" (45.7 cm) Towel Bar Set
130-1438-CP≈		24" (60.9 cm) Towel Bar Set
130-1406-CP∞		Towel Bar Post Set Only
130-0021-CP∞		18" (45.7 cm) Towel Bar Only
130-0022-CP∞	24" (60.9 cm) Towel Bar Only	



ALLURE™ / AVIANI™ SERIES Accessories will be DISCONTINUED when inventory is depleted.
ELINA™ SERIES Accessories are the comparable replacements.
Please contact Ambassador for availability.

∞ Available While Supplies Last ≈ To Be Replaced When Inventory Is Depleted

HEAD ACCESSORIES

Head Accessories NAUTILUS™ SERIES

MODEL #	FINISH	DESCRIPTION
131-1016-NP*	Brushed Nickel	6-Piece Accessory Kit
130-1010-NP+		Robe Hook
130-1007-NP+		Towel Ring
130-1008-NP+		Cup Holder
130-1009-NP+		Soap Dish
130-1001-NP+		Single Post T.P. Holder
130-1025-NP≈		18" (45.7 cm) Towel Bar Set
130-1038-NP+		24" (60.9 cm) Towel Bar Set
130-1026-NP≈		Double Post T.P. Holder Set
130-1006-NP∞		Towel Bar / T.P. Holder Post Set Only
130-0002-NP∞		18" (45.7 cm) Towel Bar Only
130-0004-NP∞		24" (60.9 cm) Towel Bar Only
130-0000-NP		T.P. Roller Only



Head Accessories ESTANCIA™ / PACIFICA™ SERIES

MODEL #	FINISH	DESCRIPTION
130-1310-CP≈	Chrome	Robe Hook
130-1310-CG∞	Chrome & 18k Gold	
130-1310-CY∞	Chrome & PVD Gold	
130-1307-CP≈	Chrome	Towel Ring
130-1307-CG∞	Chrome & 18k Gold	
130-1307-CY∞	Chrome & PVD Gold	
130-1308-CP≈	Chrome	Cup Holder
130-1308-CG∞	Chrome & 18k Gold	
130-1308-CY∞	Chrome & PVD Gold	
130-1309-CP≈	Chrome	Soap Dish
130-1309-CG∞	Chrome & 18k Gold	
130-1309-CY∞	Chrome & PVD Gold	
130-1301-CP≈	Chrome	Single Post T.P. Holder
130-1301-CG∞	Chrome & 18k Gold	
130-1301-CY∞	Chrome & PVD Gold	
130-1325-CP≈	Chrome	18" (45.7 cm) Towel Bar Set
130-1325-CG∞	Chrome & 18k Gold	
130-1325-CY∞	Chrome & PVD Gold	
130-1326-CP≈	Chrome	Double Post T.P. Holder Set
130-1326-CG∞	Chrome & 18k Gold	
130-1326-CY∞	Chrome & PVD Gold	
130-1306-CP∞	Chrome	Towel Bar / T.P. Holder Post Set Only
130-1306-CG∞	Chrome & 18k Gold	
130-1306-CY∞	Chrome & PVD Gold	
130-0003-CP∞	Chrome	18" (45.7 cm) Towel Bar Only
130-0000-CP		T.P. Roller Only



HEAD ACCESSORIES

Head Accessories PISCES™ SERIES

MODEL #	FINISH	DESCRIPTION	
131-0416-CG*∞	Chrome & 18k Gold	6-Piece Accessory Kit	
130-0410-CG∞+		Robe Hook	
130-0407-CG∞+		Towel Ring	
130-0408-CG∞+		Cup / Toothbrush Holder	
130-0409-CG∞+		Soap Dish	
130-0401-CG∞+		Single Post T.P. Holder	
130-0425-CG∞		18" (45.7 cm) Towel Bar Set	
130-0438-CG∞+		24" (60.9 cm) Towel Bar Set	
130-0426-CG∞		Double Post T.P. Holder Set	
130-0406-CG∞		Towel Bar / T.P. Holder Post Set Only	
130-0002-CP∞		Chrome	18" (45.7 cm) Towel Bar Only
130-0004-CP∞			24" (60.9 cm) Towel Bar Only
130-0000-CP	T.P. Roller Only		



BOSTON WHALER 345 CONQUEST
FEATURING FAUCET# 133-0112-CP

* Aftermarket Packaging ∞ Available While Supplies Last ≈ To Be Replaced When Inventory Is Depleted + Item Included In Multi-Piece Accessory Kit

* Aftermarket Packaging ∞ Available While Supplies Last + Item Included In Multi-Piece Accessory Kit

MARINE SPRAYERS

Our **Small** and **Large Marine Sprayers** feature UV protected, heavy duty ABS plastic and allow for continuous or intermittent trigger spray with complete water shut-off.

Our **Classic Marine Sprayers** feature UV protected, heavy duty ABS plastic and chrome plated brass. Includes 2-setting sprayer/stream with built-in stand-by switch (**NOTE:** "stand-by" is NOT a complete water shut-off, it allows a small amount of water to continue to trickle).

Our **Hammer-Head Sprayers** feature UV protected, heavy duty ABS plastic and chrome plated brass. Includes all brass head and trigger and allows for continuous or intermittent trigger spray with complete water shut-off.



NEW FINISH

Small Marine Sprayer

MODEL #	SPRAYER FINISH	CONNECTION	ELBOW	HOOK
138-0000-AW	Arctic White	1/2" NPS-M	No Elbow	With Hook
138-0001-AW				No Hook
138-0002-AW			With Elbow	With Hook
138-0003-AW				No Hook
138-0005-AW			With Elbow With "Locking Teeth"	
138-0000-WH	Warm White	1/2" NPS-M	No Elbow	With Hook
139-0000-WH*				No Hook
138-0001-WH				No Hook
138-0002-WH			With Elbow	With Hook
138-0003-WH				No Hook
138-0005-WH	15/1 Metric-F	With Elbow With "Locking Teeth"		
138-0000-CP	Chrome	1/2" NPS-M	No Elbow	With Hook
138-0001-CP				No Hook
138-0002-CP			With Elbow	With Hook
138-0003-CP				No Hook
138-0005-CP			15/1 Metric-F	With Elbow With "Locking Teeth"
138-0000-KP	Black	1/2" NPS-M	No Elbow	With Hook
138-0001-KP				No Hook
138-0002-KP			With Elbow	With Hook
138-0003-KP				No Hook
138-0005-KP			15/1 Metric-F	With Elbow With "Locking Teeth"



"Locking Teeth" prevent sprayer from rotating while in faucet body or bulkhead holder

Large Marine Sprayer

MODEL #	SPRAYER FINISH	CONNECTION	ELBOW	HOOK
138-0100-WH∞	Warm White	1/2" NPS-M	No Elbow	With Hook
138-0102-WH∞			With Elbow	
138-0105-WH∞		15/1 Metric-F	With Elbow With "Locking Teeth"	No Hook
138-0100-CP∞	Chrome	1/2" NPS-M	No Elbow	With Hook
138-0102-CP∞			With Elbow	
138-0105-CP∞		15/1 Metric-F	With Elbow With "Locking Teeth"	No Hook
138-0100-KP∞	Black	1/2" NPS-M	No Elbow	With Hook
138-0102-KP∞			With Elbow	
138-0105-KP∞		15/1 Metric-F	With Elbow With "Locking Teeth"	No Hook



"Locking Teeth" prevent sprayer from rotating while in faucet body or bulkhead holder

* Aftermarket Packaging ∞ Available While Supplies Last

MARINE SPRAYERS

NEW Hammer-Head Marine Sprayer

MODEL #	SPRAYER FINISH	CONNECTION	ELBOW	HOOK
138-0300-CA	Arctic White & Chrome	1/2" NPS-M	No Elbow	With Hook
138-0301-CA				No Hook
138-0303-CA			With Elbow	
138-0300-CW	Warm White & Chrome	1/2" NPS-M	No Elbow	With Hook
138-0301-CW				No Hook
138-0303-CW			With Elbow	
138-0309-CW∞			No Elbow (For Use With Elite Deck Holder Base Only)	
138-0311-CW∞			With Elbow (For Use With Elite Deck Holder Base Only)	
138-0300-CK	Black & Chrome	1/2" NPS-M	No Elbow	With Hook
138-0301-CK				No Hook
138-0303-CK			With Elbow	
138-0309-CK∞			No Elbow (For Use With Elite Deck Holder Base Only)	
138-0311-CK∞			With Elbow (For Use With Elite Deck Holder Base Only)	



NEW FINISH

Classic Marine Sprayer

MODEL #	SPRAYER FINISH	CONNECTION	ELBOW	HOOK
138-0203-CA	Arctic White & Chrome	1/2" NPS-M	With Elbow	N/A
138-0205-CA		15/1 Metric-F	With Elbow With "Locking Teeth"	
138-0203-CW	Warm White & Chrome	1/2" NPS-M	With Elbow	N/A
138-0205-CW		15/1 Metric-F	With Elbow With "Locking Teeth"	
138-0207-CW∞			With Elbow No "Locking Teeth"	
138-0203-CK	Black & Chrome	1/2" NPS-M	With Elbow	N/A
138-0205-CK		15/1 Metric-F	With Elbow With "Locking Teeth"	
138-0207-CK∞			With Elbow No "Locking Teeth"	



"Locking Teeth" prevent sprayer from rotating while in faucet body or bulkhead holder



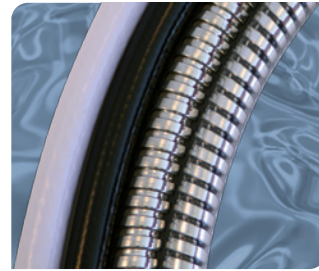
SPORTSMAN OPEN 282
FEATURING FAUCET# 132-1739-CP

∞ Available While Supplies Last

HOSES

Our heavy duty **White and Black Rubber Hoses** feature UV protected nylon to reduce cracking and prevent discoloring. Available in a variety of lengths and connection styles.

Our heavy duty **Stainless Steel Hoses** feature a soft inner nylon hose wrapped in a continuous stainless steel ribbon. They are very flexible and have little-to-no "memory", making them ideal for gathering in tight spaces. Available in a variety of lengths and connection styles.



Replacement Hose for Aidack™ Pull-Out Deck Tap & Trinidad™ Head/Shower Combo Faucet

MODEL #	HOSE FITTINGS	HOSE STYLE	HOSE LENGTH
130-0017-WH	15/1 Metric-M	White Rubber	6' (1.8 m)
131-0017-WH*	1/2" NPS-F		10' (3 m)
130-0028-WH			
130-0017-KP		Black Rubber	6' (1.8 m)
130-0028-KP			10' (3 m)
130-0017-SS		Stainless Steel	6' (1.8 m)
130-0028-SS			10' (3 m)

15/1 Metric-M

1/2" NPS-F

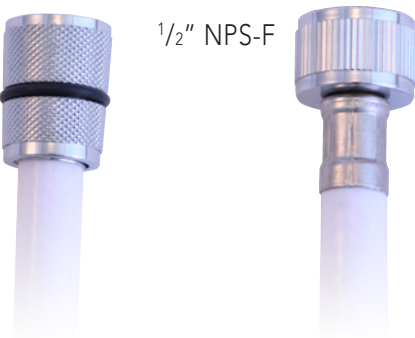


Replacement Hose for Recessed / Transom / Slide Bar / Hand-Held Shower & Deck Sprayer with Elite Deck Holder Base

MODEL #	HOSE FITTINGS	HOSE STYLE	HOSE LENGTH
130-0033-WH	1/2" NPS-F Conical	White Rubber	6' (1.8 m)
130-0018-WH	1/2" NPS-F		10' (3 m)
130-0033-KP			Black Rubber
130-0018-KP			10' (3 m)
130-0033-SS		Stainless Steel	6' (1.8 m)
130-0018-SS			10' (3 m)
130-0031-CK*		Chrome/Black Rubber	6' (1.8 m)

1/2" NPS-F Conical

1/2" NPS-F



Replacement Hose for Deck Sprayer with Standard Deck Holder Base

MODEL #	HOSE FITTINGS	HOSE STYLE	HOSE LENGTH
130-0032-WH	1/2" NPS-F Conical	White Rubber	6' (1.8 m)
130-0029-WH	1/2" NPS-F Adapter		10' (3 m)
130-0032-KP			Black Rubber
130-0029-KP			10' (3 m)
130-0032-SS		Stainless Steel	6' (1.8 m)
130-0029-SS			10' (3 m)

1/2" NPS-F Conical

1/2" NPS-F Adapter



* Aftermarket Packaging ∞ Available While Supplies Last

HOSES

Replacement Hose for Pull-Out Faucets with Quick-Connect Pull-Out Hose Connection

MODEL #	HOSE FITTINGS	HOSE STYLE	HOSE LENGTH
130-0037-SS*	Spout Head +	Stainless Steel	4' (1.2 m)
130-0034-SS*	Quick Connect Adapter "66G142N"		6' (1.8 m)
130-0036-SS*			10' (3 m)

Spout Head



Quick Connect Adapter "66G142N"

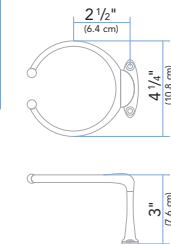


STAINLESS STEEL

DRINK HOLDERS

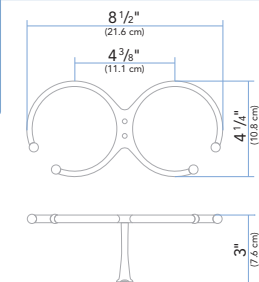
Single Drink Holder

MODEL #	FINISH	DESCRIPTION
P56-8820-SS*	Stainless Steel	Bright polished solid 316 stainless steel • Deck mount • Ideal for mugs with handles • Easy installation • Uses #10 fasteners (not included)
P56-8821-SS		



Double Drink Holder

MODEL #	FINISH	DESCRIPTION
P56-8800-SS*	Stainless Steel	Bright polished solid 316 stainless steel • Deck mount • Ideal for mugs with handles • Easy installation • Uses #10 fasteners (not included)
P56-8801-SS		



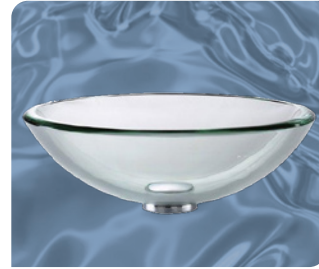
* Aftermarket Packaging ∞ To Be Replaced When Inventory Is Depleted

VESSEL SINKS

GLASS

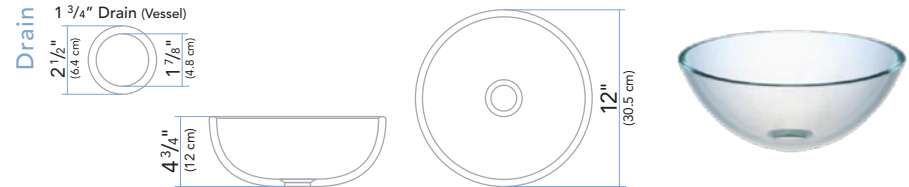
Our **Glass Vessel Sinks** work with over mount installations only and may be installed with or without a decorative base ring. All sinks are made from heavy tempered glass. Drain kit sold separately (see page 45 & 50).

If you need a configuration that is not shown, simply ask your sales representative for options. Additional configurations (colors / textures / sizes) may be available. Minimum annual commitment and additional lead-time may be required for non-standard configurations.



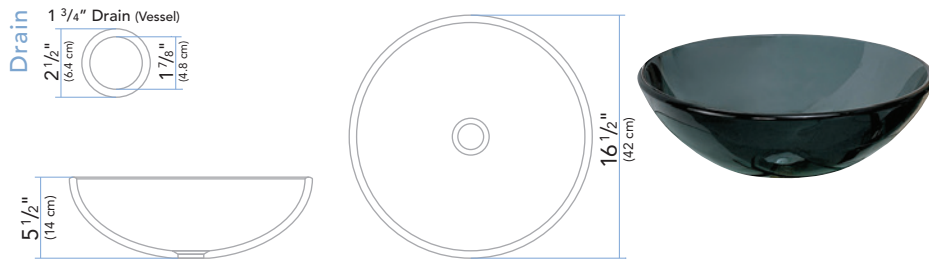
Half Sphere— Smooth Glass

MODEL #	FINISH	CASE QTY
V21-1402-CL	Clear	1
V21-1402-CL-R*		



Half Sphere— Smooth Glass

MODEL #	FINISH	CASE QTY
V21-1506-SM [∞]	Smoke	1
V21-1506-SM-R* [∞]		



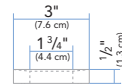
Rectangle— Smooth Glass

MODEL #	FINISH	CASE QTY
V41-1533-CL [∞]	Clear	1
V41-1533-CL-R* [∞]		



Glass Vessel Mounting Base

MODEL #	FINISH	DESCRIPTION
V03-0050-CP	Chrome	Optional— for use with any glass vessel sink • Lifts sink 1/2" off counter top • Solid brass • For 1 3/4" drains
V03-0050-CP-R*		
V03-0050-NP	Brushed Nickel	
V03-0050-NP-R*		



* Aftermarket Packaging ∞ Available While Supplies Last

PORCELAIN

VESSEL SINKS

Our **Porcelain Vessel Sinks** work with over mount installations only. All sinks are made from real porcelain. Drain kit sold separately (see page 45 & 50).

If you need a configuration that is not shown, simply ask your sales representative for options. Additional configurations (colors / textures / sizes) may be available. Minimum annual commitment and additional lead-time may be required for non-standard configurations.



Half Sphere— Smooth Surface

MODEL #	FINISH	CASE QTY
V28-1502-WH	White	1
V28-1502-WH-R*		



GLASS AND PORCELAIN VESSEL SINKS

ARE AVAILABLE IN A WIDE VARIETY OF COLORS, SHAPES, SIZES AND TEXTURES.

Our exclusive partnerships allow us to quickly add virtually any style requested glass or porcelain vessel, simply ask your sales representative for options.

Minimum annual commitment and additional lead-time may be required.

GLASS COLORS

- Clear
- Blue
- Smoke
- Green
- Frost
- Amber
- Purple
- Stone
- and many more!

PORCELAIN COLORS

- White
- Biscuit
- Almond
- and more!

GLASS TEXTURES

- Smooth
- Rain
- Squares
- Triangles
- Scalloped
- and many more!

* Aftermarket Packaging

STAINLESS STEEL SINKS

HALF SPHERES

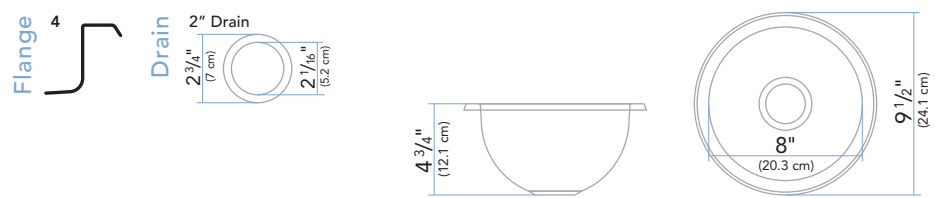
Our **Half Sphere Stainless Steel Sinks** work with over or under mount installations. All sinks are made from heavy gauge 304 stainless steel and features our exclusive **SoundKOTE** – Noise Reduction Technology. Drain kit sold separately (see pages 45 through 50).

If you need a configuration that is not shown, simply ask your sales representative for options. Additional configurations (finishes / flanges / drain sizes) may be available. Minimum annual commitment and additional lead-time may be required for non-standard configurations.



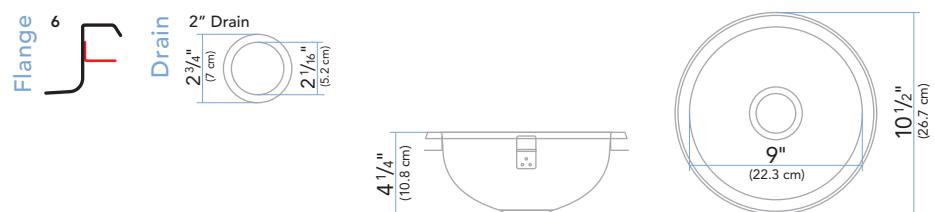
Half Sphere

MODEL #	FINISH	CASE QTY
S24-1408-UM	Ultra-Mirror	1
S24-1408-UM-R*		
S24-1408-UM-10p		10
S24-1408-BR	Brushed	1
S24-1408-BR-R*		
S24-1408-BR-10p		10



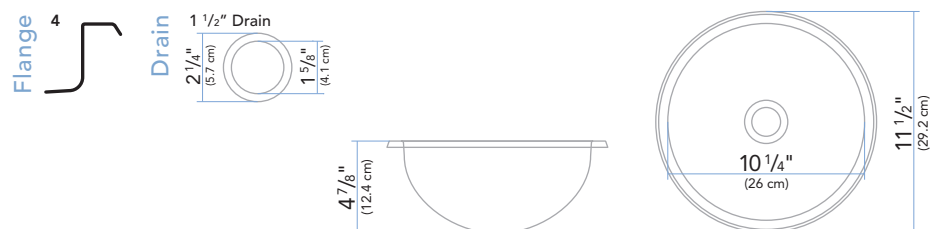
Half Sphere

MODEL #	FINISH	CASE QTY
S26-1409-UM	Ultra-Mirror	1
S26-1409-UM-R*		
S26-1409-UM-10p		10
S26-1409-BR	Brushed	1
S26-1409-BR-R*		
S26-1409-BR-10p		10



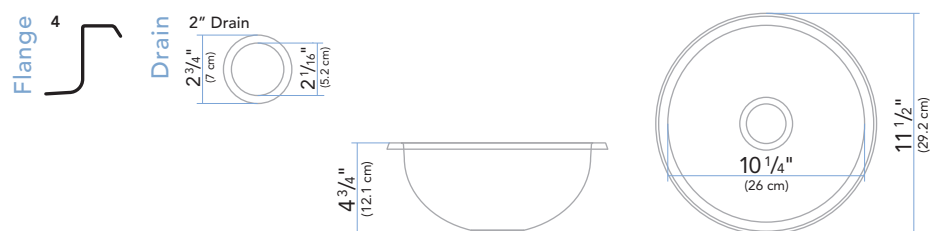
Half Sphere

MODEL #	FINISH	CASE QTY
S24-6400-UM	Ultra-Mirror	1
S24-6400-UM-R*		
S24-6400-UM-10p		10



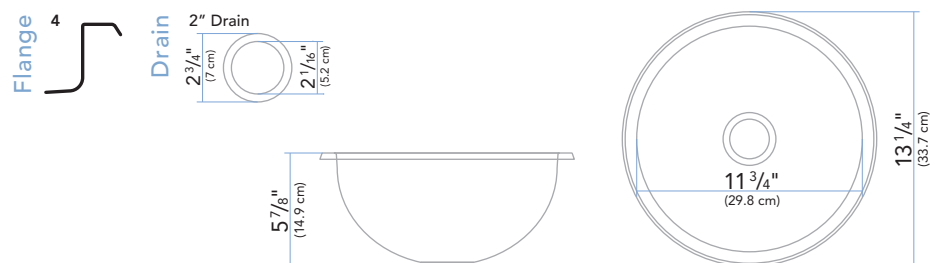
Half Sphere

MODEL #	FINISH	CASE QTY
S24-1400-UM	Ultra-Mirror	1
S24-1400-UM-R*		
S24-1400-UM-10p		10



Half Sphere

MODEL #	FINISH	CASE QTY
S24-1501-UM	Ultra-Mirror	1
S24-1501-UM-R*		
S24-1501-UM-10p		10



* Aftermarket Packaging **NOTE:** Dimensions ± 1/8". Line Drawings are for reference only and may not be to scale.

OVALS

STAINLESS STEEL SINKS

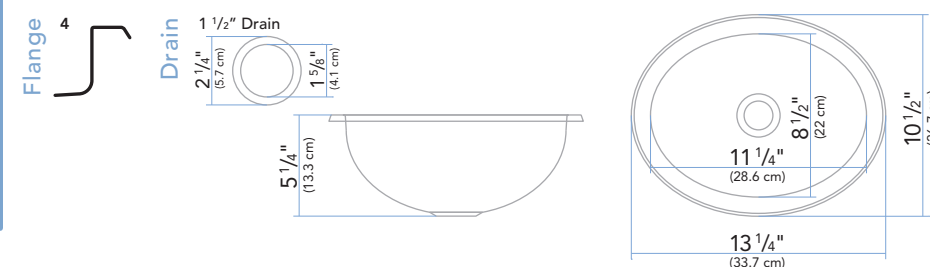
Our **Oval Stainless Steel Sinks** work with over or under mount installations. All sinks are made from heavy gauge 304 stainless steel and features our exclusive **SoundKOTE** – Noise Reduction Technology. Drain kit sold separately (see pages 45 through 50).

If you need a configuration that is not shown, simply ask your sales representative for options. Additional configurations (finishes / flanges / drain sizes) may be available. Minimum annual commitment and additional lead-time may be required for non-standard configurations.



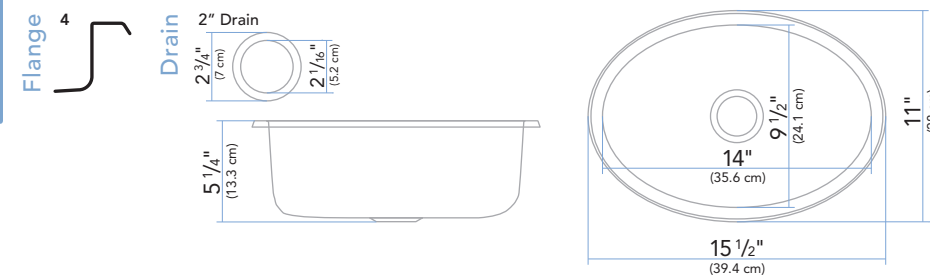
Oval

MODEL #	FINISH	CASE QTY
S64-6530-UM	Ultra-Mirror	1
S64-6530-UM-R*		
S64-6530-UM-10p		10
S64-6530-BR	Brushed	1
S64-6530-BR-R*		
S64-6530-BR-10p		10



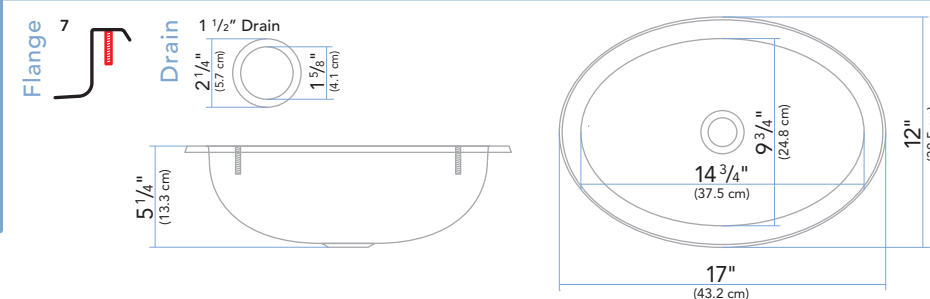
Oval

MODEL #	FINISH	CASE QTY
S64-1515-UM	Ultra-Mirror	1
S64-1515-UM-R*		
S64-1515-UM-10p		10



Oval

MODEL #	FINISH	CASE QTY
S67-6515-UM	Ultra-Mirror	1
S67-6515-UM-R*		
S67-6515-UM-10p		10
S67-6515-BR	Brushed	1
S67-6515-BR-R*		
S67-6515-BR-10p		10



Optional—
Under-Mount Sink Brackets
sold separately (see page 50)



* Aftermarket Packaging **NOTE:** Dimensions ± 1/8". Line Drawings are for reference only and may not be to scale.

STAINLESS STEEL SINKS

CYLINDERS

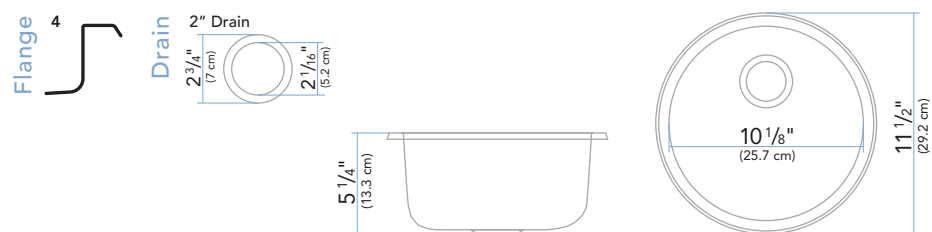
Our **Cylinder Stainless Steel Sinks** work with over or under mount installations. All sinks are made from heavy gauge 304 stainless steel and features our exclusive **SoundKOTE** – Noise Reduction Technology. Drain kit sold separately (see pages 45 through 50).

If you need a configuration that is not shown, simply ask your sales representative for options. Additional configurations (finishes / flanges / drain sizes) may be available. Minimum annual commitment and additional lead-time may be required for non-standard configurations.



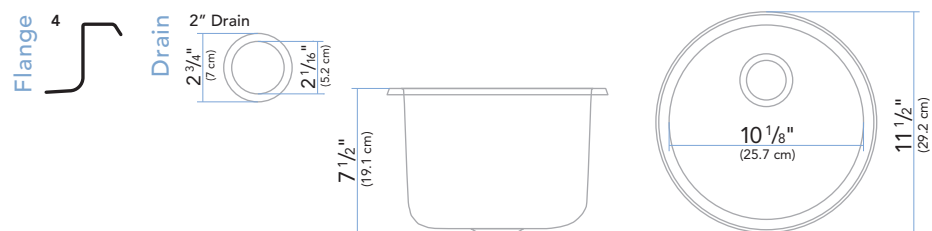
Cylinder

MODEL #	FINISH	CASE QTY
S14-2500-UM	Ultra-Mirror	1
S14-2500-UM-R*		
S14-2500-UM-10p		10
S14-2500-BR	Brushed	1
S14-2500-BR-R*		
S14-2500-BR-10p		10



Cylinder

MODEL #	FINISH	CASE QTY
S14-2700-UM	Ultra-Mirror	1
S14-2700-UM-R*		
S14-2700-UM-10p		10



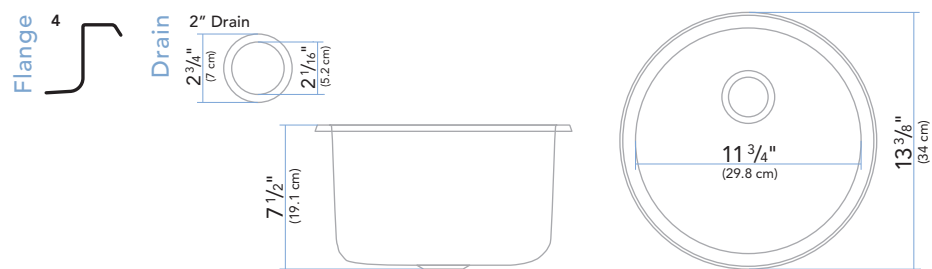
Cylinder

MODEL #	FINISH	CASE QTY
S14-2501-UM	Ultra-Mirror	1
S14-2501-UM-R*		
S14-2501-UM-10p		10
S14-2501-BR	Brushed	1
S14-2501-BR-R*		
S14-2501-BR-10p		10



Cylinder

MODEL #	FINISH	CASE QTY
S14-2701-UM	Ultra-Mirror	1
S14-2701-UM-R*		
S14-2701-UM-10p		10



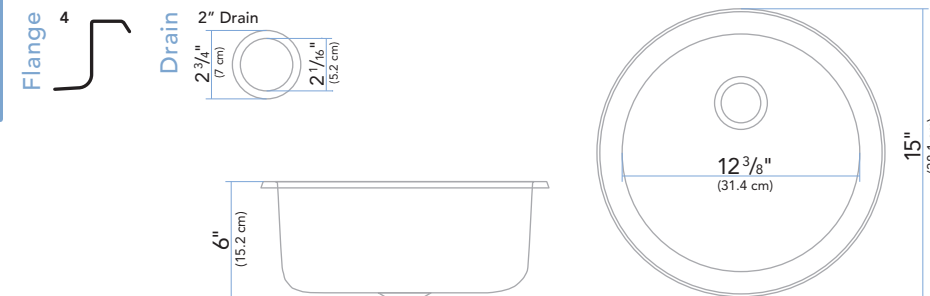
* Aftermarket Packaging **NOTE:** Dimensions ± 1/8". Line Drawings are for reference only and may not be to scale.

CYLINDERS

STAINLESS STEEL SINKS

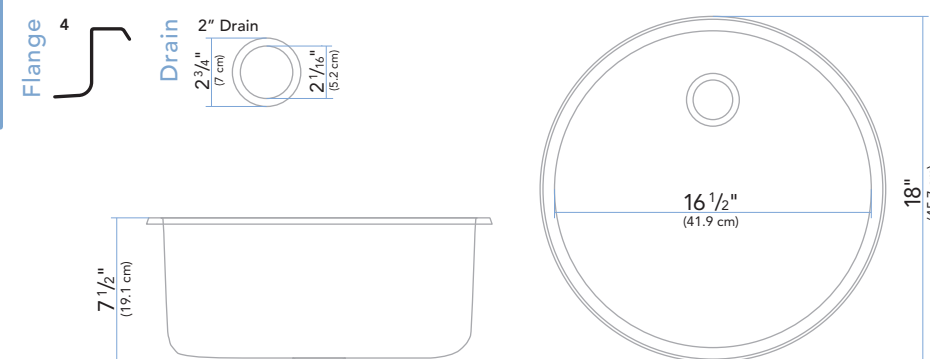
Cylinder

MODEL #	FINISH	CASE QTY
S14-2602-UM	Ultra-Mirror	1
S14-2602-UM-R*		
S14-2602-UM-10p		10



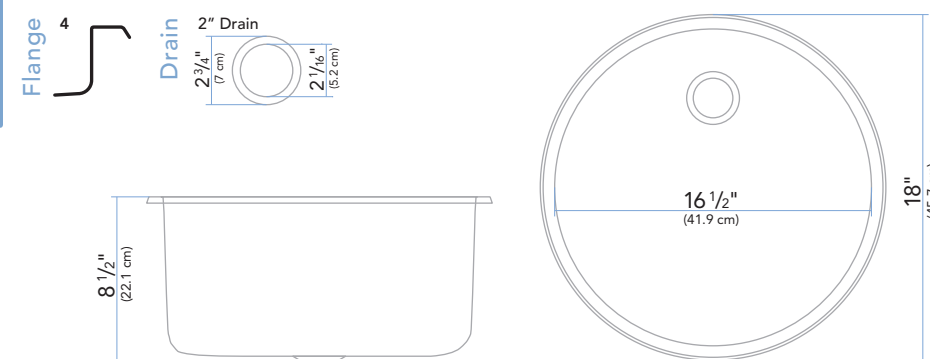
Cylinder

MODEL #	FINISH	CASE QTY
S14-2706-BR	Brushed	1
S14-2706-BR-R*		
S14-2706-BR-5p		5



Cylinder

MODEL #	FINISH	CASE QTY
S14-2806-UM	Ultra-Mirror	1
S14-2806-UM-R*		
S14-2806-UM-5p		5



Optional—
Under-Mount Sink Brackets
sold separately (see page 50)



* Aftermarket Packaging **NOTE:** Dimensions ± 1/8". Line Drawings are for reference only and may not be to scale.

STAINLESS STEEL SINKS

RECTANGLES

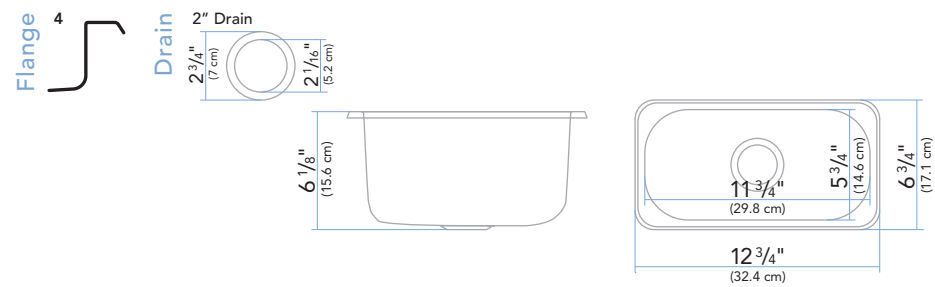
Most of our **Rectangle Stainless Steel Sinks** work with over or under mount installations. All sinks are made from heavy gauge 304 stainless steel and feature our exclusive **SoundKOTE** – Noise Reduction Technology. Drain kit sold separately (see pages 45 through 50).

If you need a configuration that is not shown, simply ask your sales representative for options. Additional configurations (finishes / flanges / drain sizes) may be available. Minimum annual commitment and additional lead-time may be required for non-standard configurations.



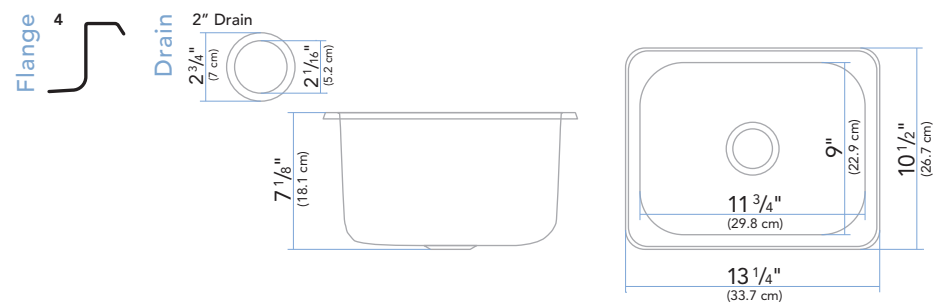
Rectangle

MODEL #	FINISH	CASE QTY
S44-1610-UM	Ultra-Mirror	1
S44-1610-UM-R*		
S44-1610-UM-10p		10
S44-1610-BR	Brushed	1
S44-1610-BR-R*		
S44-1610-BR-10p		10



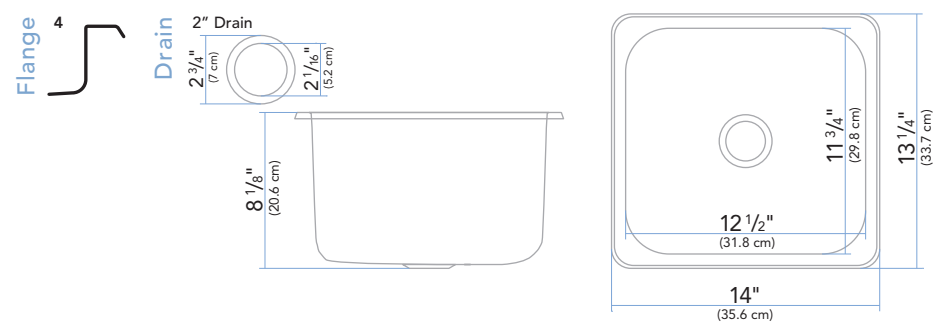
Rectangle

MODEL #	FINISH	CASE QTY
S44-1711-BR	Brushed	1
S44-1711-BR-R*		
S44-1711-BR-5p		5



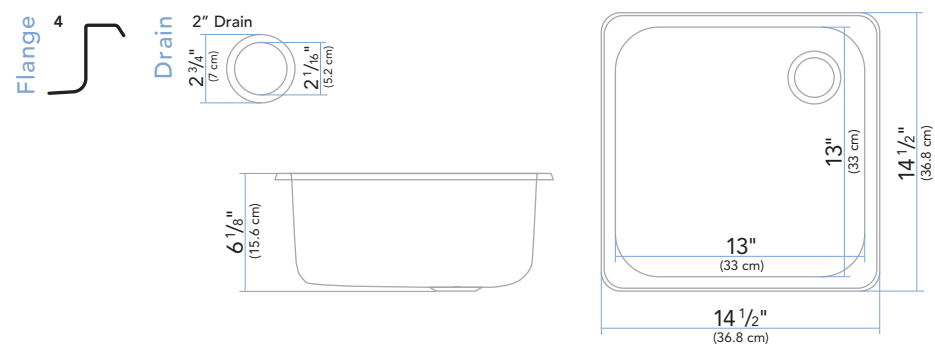
Rectangle

MODEL #	FINISH	CASE QTY
S44-1831-UM	Ultra-Mirror	1
S44-1831-UM-R*		
S44-1831-UM-5p		5
S44-1831-BR	Brushed	1
S44-1831-BR-R*		
S44-1831-BR-5p		5



Rectangle

MODEL #	FINISH	CASE QTY
S44-4614-UM	Ultra-Mirror	1
S44-4614-UM-R*		
S44-4614-UM-5p		5
S44-4614-BR	Brushed	1
S44-4614-BR-R*		
S44-4614-BR-5p		5



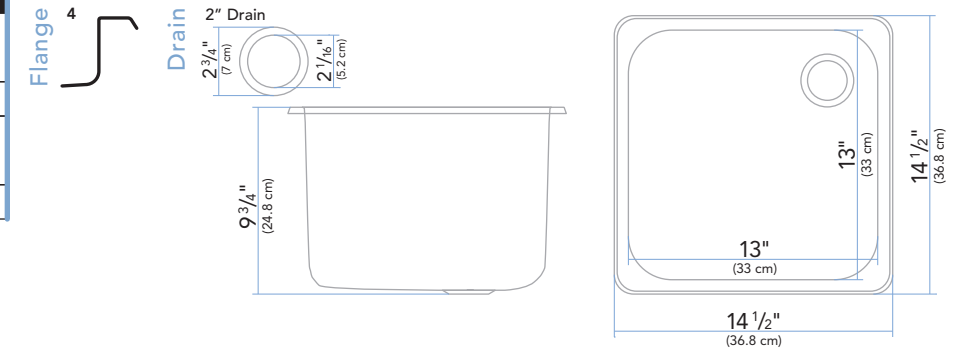
* Aftermarket Packaging **NOTE:** Dimensions ± 1/8". Line Drawings are for reference only and may not be to scale.

RECTANGLES

STAINLESS STEEL SINKS

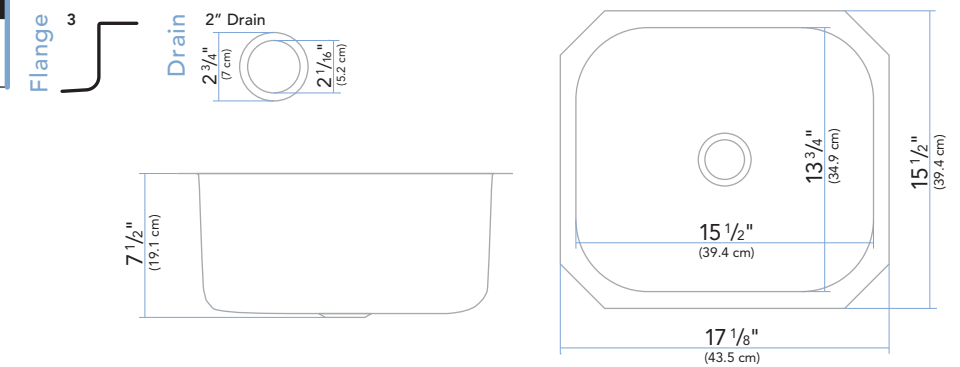
Rectangle

MODEL #	FINISH	CASE QTY
S44-4914-UM	Ultra-Mirror	1
S44-4914-UM-R*		
S44-4914-UM-5p		5
S44-4914-BR	Brushed	1
S44-4914-BR-R*		
S44-4914-BR-5p		5



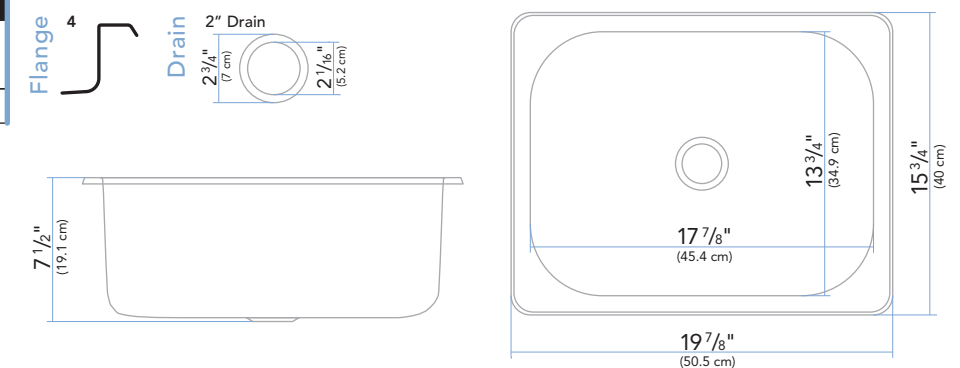
Rectangle

MODEL #	FINISH	CASE QTY
S43-1718-BR	Brushed	1
S43-1718-BR-R*		



Rectangle

MODEL #	FINISH	CASE QTY
S44-1732-BR	Brushed	1
S44-1732-BR-R*		
S44-1732-BR-5p		5



Optional—
Under-Mount Sink Brackets
sold separately (see page 50)



* Aftermarket Packaging **NOTE:** Dimensions ± 1/8". Line Drawings are for reference only and may not be to scale.

STAINLESS STEEL SINKS

DOUBLE RECTANGLES

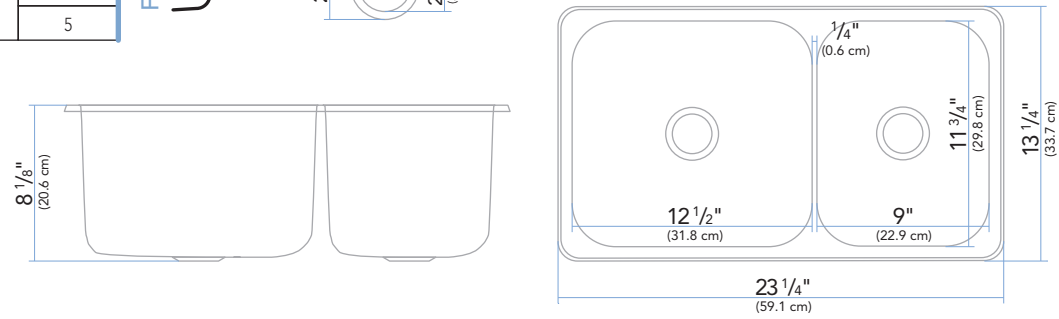
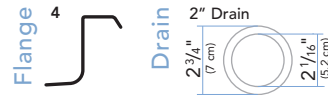
Our **Double Rectangle Stainless Steel Sinks** work with over or under mount installations. All sinks are made from heavy gauge 304 stainless steel and features our exclusive **SoundKOTE** – Noise Reduction Technology. Drain kit sold separately (see pages 45 through 50).

If you need a configuration that is not shown, simply ask your sales representative for options. Additional configurations (finishes / flanges / drain sizes) may be available. Minimum annual commitment and additional lead-time may be required for non-standard configurations.



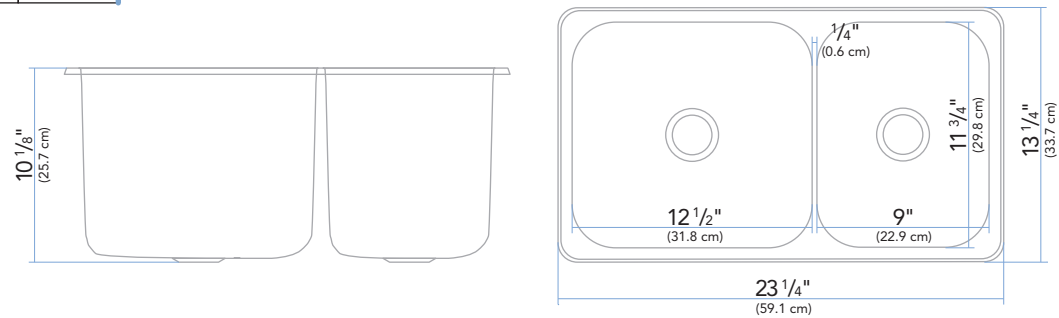
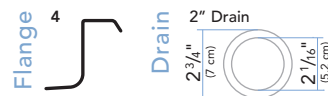
Double Rectangle

MODEL #	FINISH	CASE QTY
S54-1823-UM	Ultra-Mirror	1
S54-1823-UM-R*		
S54-1823-UM-5p		5



Double Rectangle

MODEL #	FINISH	CASE QTY
S54-1123-UM	Ultra-Mirror	1
S54-1123-UM-R*		
S54-1123-UM-5p		5



Optional—
Under-Mount Sink Brackets
sold separately (see page 50)



* Aftermarket Packaging ◊ Available While Supplies Last **NOTE:** Dimensions ± 1/8". Line Drawings are for reference only and may not be to scale.

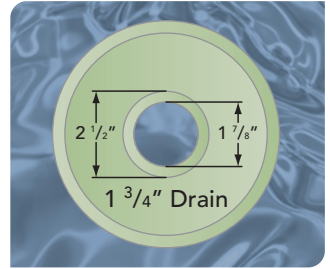
1 3/4"

DRAINS

Our 1 3/4" **Drains** are made from heavy duty plastic, brass and/or stainless steel and are available in a wide variety of configurations and finishes, to match our sinks and your décor.

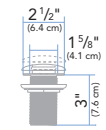
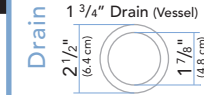
Most vessel sinks use a 1 3/4" drain and are generally used as head sinks. 1 3/4" drains are the standard size drain for vessel sinks in North America and Europe.

If you need a configuration that is not shown, simply ask your sales representative for options. Minimum annual commitment and additional lead-time may be required for non-standard configurations.



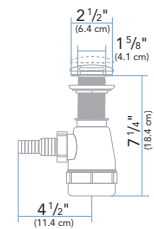
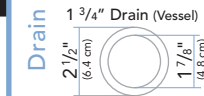
Touch Drain Kit 1 3/4" SERIES

MODEL #	FINISH	DESCRIPTION
V03-0704-CP	Chrome	Tap to open/close • No overflow intake
V03-0704-CP-R*		• All brass • Connection: 1 1/4"-M thread
V03-0704-NP	Brushed Nickel	
V03-0704-NP-R*		



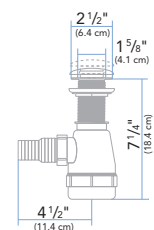
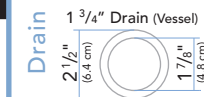
Touch / Trap Drain Kit 1 3/4" SERIES

MODEL #	FINISH	DESCRIPTION
V03-0708-CP	Chrome	Tap to open/close • No overflow intake
V03-0708-CP-R*		• All brass top • Easy trap access
V03-0708-NP	Brushed Nickel	• Connection: 3/4" & 1" hose barb
V03-0708-NP-R*		



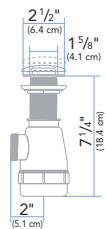
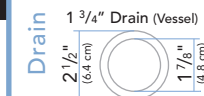
Touch / Trap Drain Kit 1 3/4" SERIES

MODEL #	FINISH	DESCRIPTION
V03-0709-CP	Chrome	Tap to open/close • No overflow intake
V03-0709-CP-R*		• All brass top • Easy trap access
V03-0709-NP	Brushed Nickel	• Connection: 1 1/4" & 1 1/2" hose barb
V03-0709-NP-R*		



Touch / Trap Drain Kit 1 3/4" SERIES

MODEL #	FINISH	DESCRIPTION
V03-0716-CP	Chrome	Tap to open/close • No overflow intake
V03-0716-CP-R*		• All brass top • Easy trap access
V03-0716-NP	Brushed Nickel	• Connection: 1 1/4"-M thread
V03-0716-NP-R*		



* Aftermarket Packaging

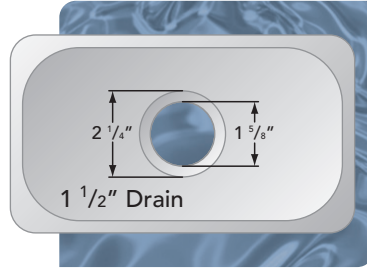
DRAINS

1 1/2"

Our 1 1/2" Drains are made from heavy duty plastic, brass and/or stainless steel and are available in a wide variety of configurations and finishes, to match our sinks and your décor.

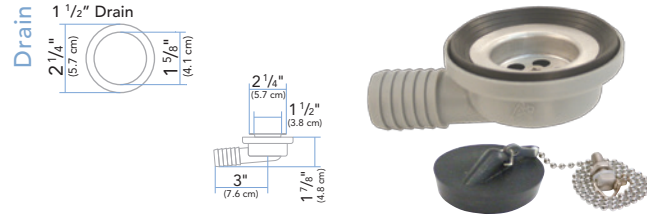
Sinks with 1 1/2" drains are generally used as head sinks. 1 1/2" drains are the standard size drain for lavatory sinks in North America.

If you need a configuration that is not shown, simply ask your sales representative for options. Minimum annual commitment and additional lead-time may be required for non-standard configurations.



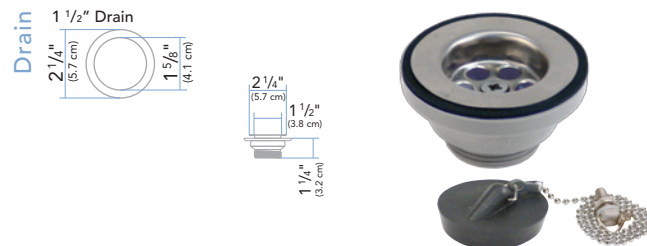
95° Elbow Drain Kit 1 1/2" SERIES

MODEL #	FINISH	DESCRIPTION
S01-0101-UP	Ultra-Mirror	Low profile • Stainless steel flange • Chain stopper • Connection: 1" hose barb
S01-0101-UP-R*		
S01-0101-BP	Brushed	
S01-0101-BP-R*		



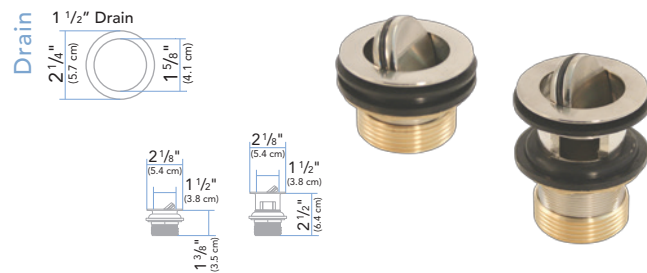
Straight Drain Kit 1 1/2" SERIES

MODEL #	FINISH	DESCRIPTION
S01-0104-UP	Ultra-Mirror	Low profile • Stainless steel flange • Chain stopper • Connection: 1 1/4"-M thread
S01-0104-UP-R*		
S01-0104-BP	Brushed	
S01-0104-BP-R*		



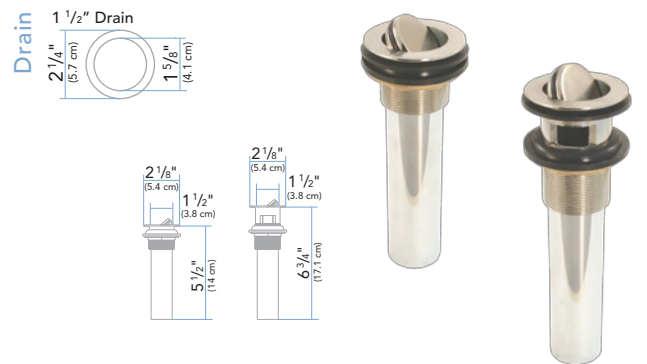
Flip Drain Kit 1 1/2" SERIES

MODEL #	FINISH	DESCRIPTION
S01-0304-CP	Chrome	No overflow intake • Low profile • All brass • Connection: 1 1/4"-M thread
S01-0304-CP-R*		
S01-0304-NP	Brushed Nickel	
S01-0304-NP-R*		
S01-0504-CP	Chrome	With overflow intake • Low profile • All brass • Connection: 1 1/4"-M thread
S01-0504-CP-R*		
S01-0504-NP	Brushed Nickel	
S01-0504-NP-R*		



Flip Drain Kit 1 1/2" SERIES

MODEL #	FINISH	DESCRIPTION
S01-0311-CP	Chrome	No overflow intake • All brass • Connection: 1 1/4"-M sweat fitting
S01-0311-CP-R*		
S01-0311-NP	Brushed Nickel	
S01-0311-NP-R*		
S01-0511-CP	Chrome	With overflow intake • All brass • Connection: 1 1/4"-M sweat fitting
S01-0511-CP-R*		
S01-0511-NP	Brushed Nickel	
S01-0511-NP-R*		



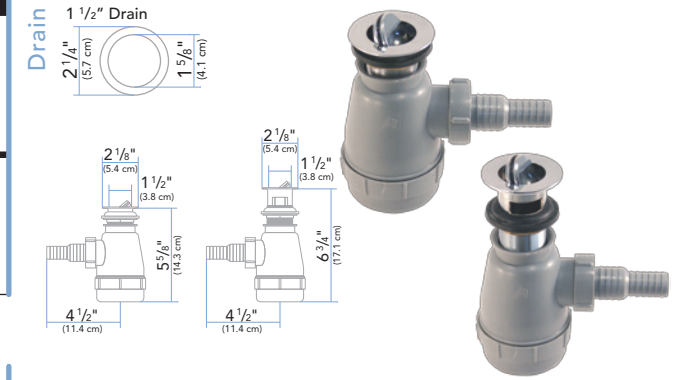
* Aftermarket Packaging

DRAINS

1 1/2"

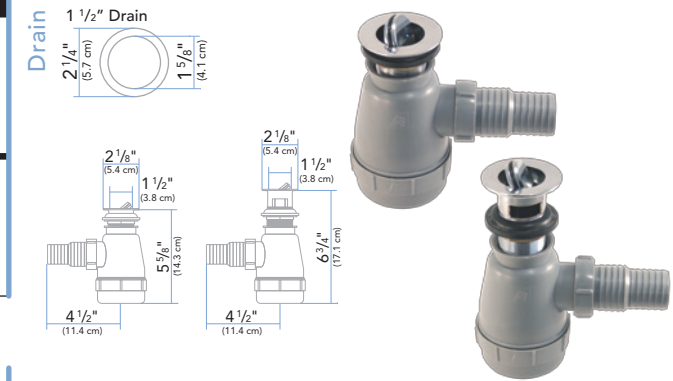
Flip / Trap Drain Kit 1 1/2" SERIES

MODEL #	FINISH	DESCRIPTION
S01-0308-CP	Chrome	No overflow intake • All brass top • Easy trap access • Connection: 3/4" & 1" hose barb
S01-0308-CP-R*		
S01-0308-NP	Brushed Nickel	
S01-0308-NP-R*		
S01-0508-CP	Chrome	With overflow intake • All brass top • Easy trap access • Connection: 3/4" & 1" hose barb
S01-0508-CP-R*		
S01-0508-NP	Brushed Nickel	
S01-0508-NP-R*		



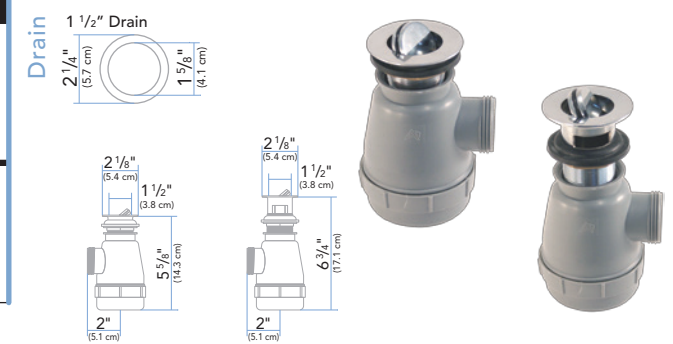
Flip / Trap Drain Kit 1 1/2" SERIES

MODEL #	FINISH	DESCRIPTION
S01-0309-CP	Chrome	No overflow intake • All brass top • Easy trap access • Connection: 1 1/4" & 1 1/2" hose barb
S01-0309-CP-R*		
S01-0309-NP	Brushed Nickel	
S01-0309-NP-R*		
S01-0509-CP	Chrome	With overflow intake • All brass top • Easy trap access • Connection: 1 1/4" & 1 1/2" hose barb
S01-0509-CP-R*		
S01-0509-NP	Brushed Nickel	
S01-0509-NP-R*		



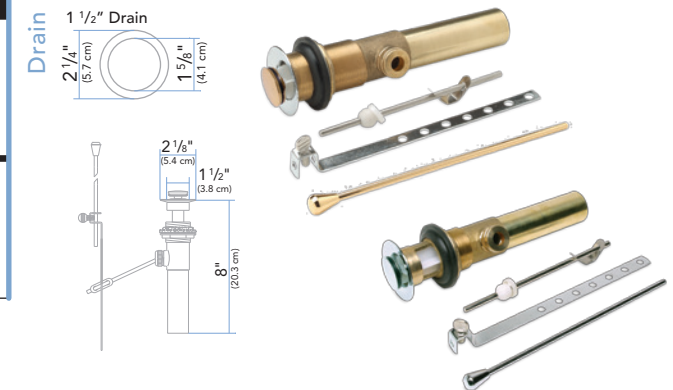
Flip / Trap Drain Kit 1 1/2" SERIES

MODEL #	FINISH	DESCRIPTION
S01-0316-CP	Chrome	No overflow intake • All brass top • Easy trap access • Connection: 1 1/4"-M thread
S01-0316-CP-R*		
S01-0316-NP	Brushed Nickel	
S01-0316-NP-R*		
S01-0516-CP	Chrome	With overflow intake • All brass top • Easy trap access • Connection: 1 1/4"-M thread
S01-0516-CP-R*		
S01-0516-NP	Brushed Nickel	
S01-0516-NP-R*		



Pop-Up Drain Kit 1 1/2" SERIES

MODEL #	FINISH	DESCRIPTION
130-0027-CP [∞]	Chrome	No overflow intake • Universal lift-rod style • All metal construction • All brass body • Connection: 1 1/4"-M sweat fitting
130-0027-NP [∞]	Brushed Nickel	
130-0027-CG [∞]	Chrome & 18k Gold	
130-0027-CY [∞]	Chrome & PVD Gold	
130-0019-CP [∞]	Chrome	With overflow intake • Universal lift-rod style • All metal construction • All brass body • Connection: 1 1/4"-M sweat fitting
131-0019-NP [∞]	Brushed Nickel	
130-0019-CG [∞]	Chrome & 18k Gold	
130-0019-CY [∞]	Chrome & PVD Gold	



* Aftermarket Packaging ^ Not Pictured ∞ Available While Supplies Last

DRAINS

2"

Our 2" Drains are made from heavy duty plastic, brass and/or stainless steel and are available in a wide variety of configurations and finishes, to match our sinks and your décor.

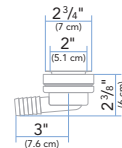
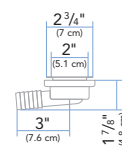
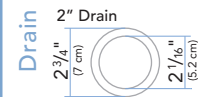
Sinks with 2" drains can be used as galley or head sinks. This is the standard size for most sinks in Europe and the rest of the world.

If you need a configuration that is not shown, simply ask your sales representative for options. Minimum annual commitment and additional lead-time may be required for non-standard configurations.



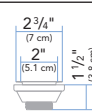
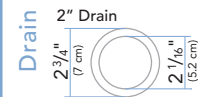
95° Elbow Drain Kit 2" SERIES

MODEL #	FINISH	DESCRIPTION
S00-0101-UP	Ultra-Mirror	Low profile • Stainless steel flange • Chain stopper • Connection: 1" hose barb
S00-0101-UP-R*		
S00-0101-BP	Brushed	
S00-0101-BP-R*		
S00-1102-UP	Ultra-Mirror	Stainless steel lift-out strainer basket • Stainless steel flange • Chain stopper • Connection: 1" hose barb
S00-1102-UP-R*		
S00-1102-BP	Brushed	
S00-1102-BP-R*		



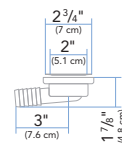
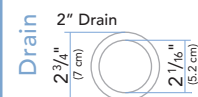
Straight Drain Kit 2" SERIES

MODEL #	FINISH	DESCRIPTION
S00-0104-UP	Ultra-Mirror	Low profile • Stainless steel flange • Chain stopper • Connection: 1 1/4"-M thread
S00-0104-UP-R*		
S00-0104-BP	Brushed	
S00-0104-BP-R*		
S00-1104-UP	Ultra-Mirror	Stainless steel lift-out strainer basket • Stainless steel flange • Chain stopper • Connection: 1 1/4"-M thread
S00-1104-UP-R*		
S00-1104-BP	Brushed	
S00-1104-BP-R*		



95° Elbow Floor Drain 2" SERIES

MODEL #	FINISH	DESCRIPTION
S00-0003-UP	Ultra-Mirror	Flush mount • Low profile • Stainless steel flange • Connection: 1" hose barb
S00-0003-UP-R*		
S00-0003-BP	Brushed	
S00-0003-BP-R*		



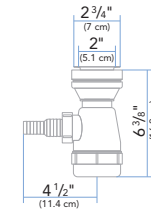
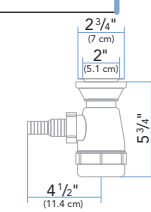
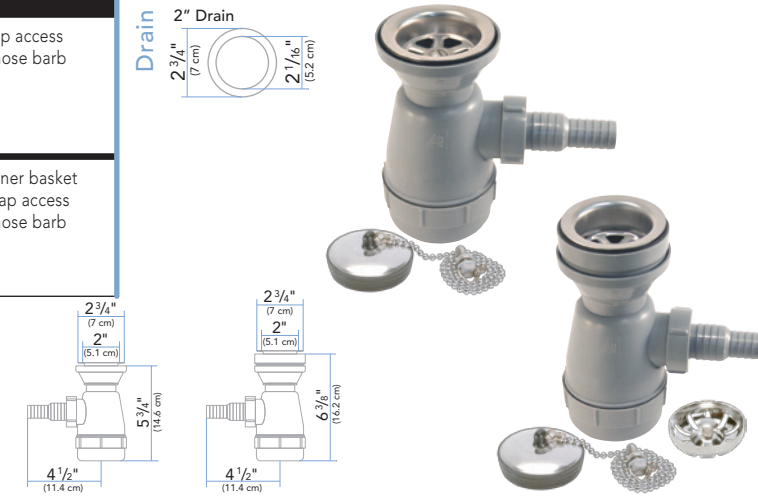
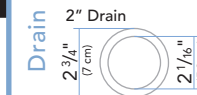
* Aftermarket Packaging

DRAINS

2"

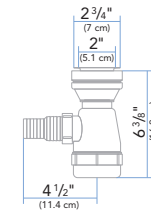
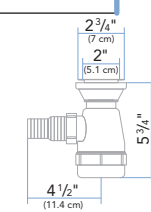
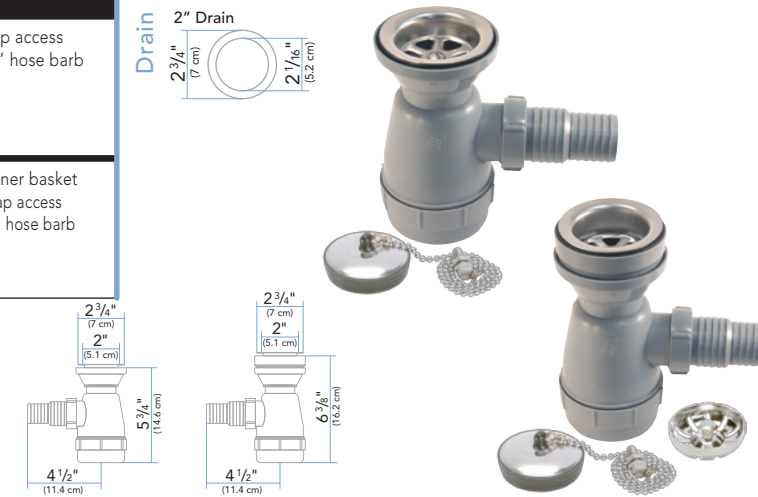
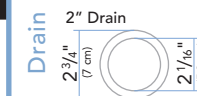
Trap Drain Kit 2" SERIES

MODEL #	FINISH	DESCRIPTION
S00-0108-UP	Ultra-Mirror	Chain stopper • Easy trap access • Connection: 3/4" & 1" hose barb
S00-0108-UP-R*		
S00-0108-BP-R*	Brushed	
S00-1108-UP	Ultra-Mirror	Stainless steel lift-out strainer basket • Chain stopper • Easy trap access • Connection: 3/4" & 1" hose barb
S00-1108-UP-R*		
S00-1108-BP	Brushed	
S00-1108-BP-R*		



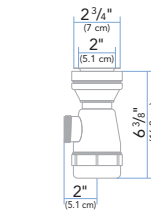
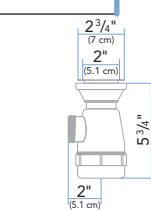
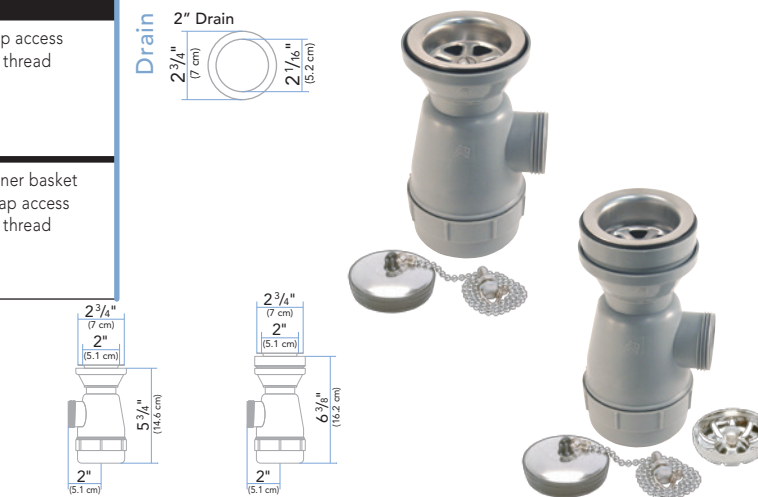
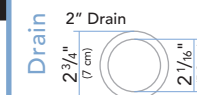
Trap Drain Kit 2" SERIES

MODEL #	FINISH	DESCRIPTION
S00-0109-UP	Ultra-Mirror	Chain stopper • Easy trap access • Connection: 1 1/4" & 1 1/2" hose barb
S00-0109-UP-R*		
S00-0109-BP-R*	Brushed	
S00-1109-UP	Ultra-Mirror	Stainless steel lift-out strainer basket • Chain stopper • Easy trap access • Connection: 1 1/4" & 1 1/2" hose barb
S00-1109-UP-R*		
S00-1109-BP	Brushed	
S00-1109-BP-R*		



Trap Drain Kit 2" SERIES

MODEL #	FINISH	DESCRIPTION
S00-0116-UP	Ultra-Mirror	Chain stopper • Easy trap access • Connection: 1 1/4"-M thread
S00-0116-UP-R*		
S00-0116-BP-R*	Brushed	
S00-1116-UP	Ultra-Mirror	Stainless steel lift-out strainer basket • Chain stopper • Easy trap access • Connection: 1 1/4"-M thread
S00-1116-UP-R*		
S00-1116-BP	Brushed	
S00-1116-BP-R*		



* Aftermarket Packaging

DRAIN & SINK ACCESSORIES

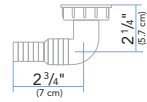
Straight Hose Barb Adapters

MODEL #	FINISH	DESCRIPTION
S00-0020-PL	Gray	1 1/4"-F thread to 3/4" & 1" hose
S00-0020-PL-R*		
S00-0021-PL	Gray	1 1/4"-F thread to 1 1/4" & 1 1/2" hose
S00-0021-PL-R*		



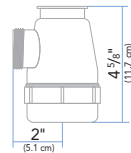
90° Elbow Hose Barb Adapter

MODEL #	FINISH	DESCRIPTION
S00-0022-PL	Gray	1 1/4"-F thread to 3/4" & 1" hose
S00-0022-PL-R*		



Trap Drain Body

MODEL #	FINISH	DESCRIPTION
S00-0016-PL	Gray	1 1/4"-F thread top & 1 1/4"-M thread side port
S00-0016-PL-R*		



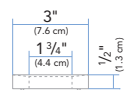
In-Drain Accessories

MODEL #	FINISH	DESCRIPTION
S00-1010-SS	Stainless Steel	Lift-Out Strainer Basket • For 2" drains
S00-1010-SS-R*		
S00-0110-UP	Ultra-Mirror	Chain Stopper • For 2" drains
S00-0110-UP-R*		
S01-0110-PS	Rubber	Chain Stopper • For 1 1/2" drains
S01-0110-PS-R*		



Glass Vessel Mounting Base

MODEL #	FINISH	DESCRIPTION
V03-0050-CP	Chrome	Optional- for use with any glass vessel sink • Lifts sink 1/2" off counter top • Solid brass • For 1 3/4" drains
V03-0050-CP-R*		
V03-0050-NP	Brushed Nickel	
V03-0050-NP-R*		



Under-Mount Sink Bracket for use with solid surface or stone counter tops

MODEL #	FINISH	DESCRIPTION
S00-0040-SS	Stainless Steel	Individual
S00-0044-SS		4-Pack
S00-0044-SS-R*		



* Aftermarket Packaging

REPLACEMENT PARTS

