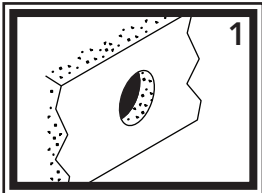
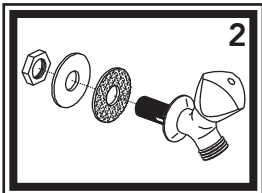


INSTALLATION INSTRUCTIONS

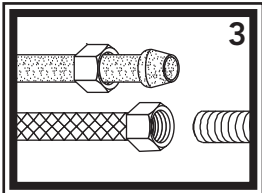
Thank you for choosing Ambassador Marine. Your new Ambassador Marine faucet, sprayer, shower or accessory will give you years of trouble-free performance. Please read these instructions carefully before installing your new item.



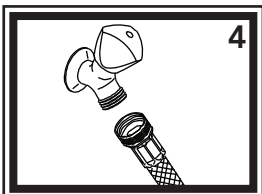
1) Hold spigot on the wall where desired. Make sure to leave enough room for your hose to hang freely. Drill 1" hole in the wall in the desired location.



2) Make sure male nipple is tight into the spigot. Slip nipple through the hole in the wall. Make sure gasket properly lines up with the back of the spigot. From the back side of the wall, slide the rubber and metal washers onto the nipple. Thread the lock nut onto the nipple and tighten.

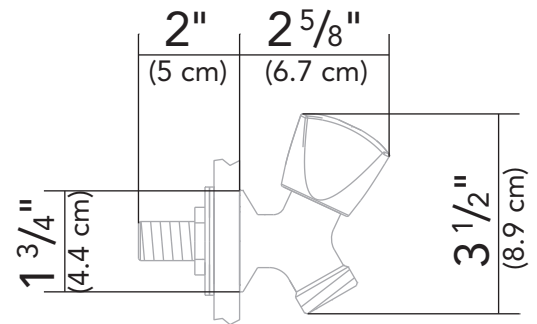
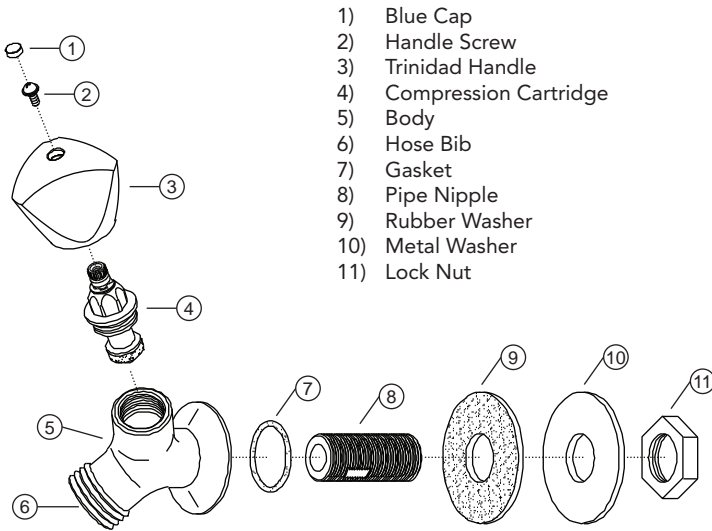


3) Connect water supply line (not provided) to the nipple. Wrap the end of the nipple with Teflon (Plumber's) tape. Follow the appropriate steps depending on your water supply line. If you have a pre-assembled water supply hose with a threaded connector, simply screw on supply hose. If you have a plastic water line with a formed end, water line will seat partially up into the nipple. Connect by tightening the coupling nut on the supply line. We do NOT suggest using sweat fittings as they are prone to blow-outs.



4) Attach your garden hose to the bib. Turn the water supply on. While water is running, check all connections for leaks. Connections may need re-tightening.

Parts



PROPER FINISH CARE

Your new faucet or accessory is protected by a clear-coat. To clean it, you only need to wipe it with a damp, soft cloth. NEVER use any abrasive cleaners, steel wool, or chemicals (including alcohol or ammonia), as they will harm the finish and void your warranty. If the item will be installed in a salt-air environment (boat exterior), regular cleaning with gentle soap and carnauba wax will prolong the life of the finish.

Ambassador Marine reserves the right to update specifications, change prices, or make substitutions without notice.