



Waterproof Epoxy Sealed Construction



Easy Connection

Most Efficient use of Available Alternator Output



Maximize Battery Performance

IBI SERIES IDEAL BATTERY ISOLATORS

Analytic Systems introduces the IBI (Ideal Battery Isolator) for 1, 2 and 3 bank battery systems, allowing all the batteries to be fully charged from a single alternator while maintaining electrical isolation between the battery banks or between a vehicle and trailer.

Ideal Diode technology uses MosFet Transistors and control circuitry to replace the diode used in a traditional battery isolator and reduces the voltage drop across the isolator to a mere 160 millivolts at 200 Amps of charging current and essentially zero volts at low current, so all the power of the alternator is applied to the batteries ensuring a full recharge every time.

While the Ideal Battery Isolator is designed to be used with an alternator, it can also be used to convert a single bank battery charger to a 2 or 3 bank charger or as a pure diode between a vehicle and trailer or other remote load.

3 YEAR WARRANTY



Available models

| | | |
|-------------|--------------|-------------|
| IB11-40-200 | IB11-40-280 | IB11-40-340 |
| IB12-40-200 | IB12H-40-280 | IB13-40-200 |

Applications



IBI SERIES | IDEAL BATTERY ISOLATORS

MODEL

| | | | | | | |
|-------|-------------|-------------|-------------|-------------|--------------|-------------|
| Model | IBI1-40-200 | IBI1-40-280 | IBI1-40-340 | IBI2-40-200 | IBI2H-40-280 | IBI3-40-200 |
|-------|-------------|-------------|-------------|-------------|--------------|-------------|

ELECTRICAL

| | | | | | | |
|-------------------------|--|---------|---------|---------|-----------------------------------|---------|
| Voltage | 10 - 40 VDC for 12, 24, 28 or 32 V Battery Systems | | | | | |
| Current (Amps) | 0 - 200 | 0 - 280 | 0 - 340 | 0 - 200 | 0 - 200 Starting 0 - 280 House | 0 - 200 |
| Number of Battery Banks | 1 | 1 | 1 | 2 | 2 | 3 |
| Temperature Rise | < 40C at Maximum Continuous Current | | | | | |
| Isolation | None - Chassis connected to Battery Negative | | | | | |

MECHANICAL

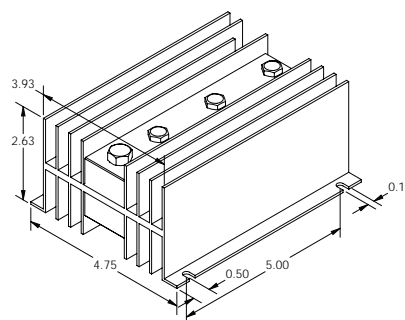
| | |
|-------------|---|
| Length | 6.0 in / 152.2 cm |
| Width | 4.8 in / 12.2 cm |
| Height | 2.6 in / 6.6 cm |
| Clearance | 1 in (2.5 cm) all around |
| Material | Marine Grade Aluminum |
| Finish | Black, Red or Blue Anodize / Epoxy Potting |
| Fastenings | All Silicone Bronze |
| Weight | 2.0 lbs / 0.9 kg |
| Connections | Alternator Positive, Battery Positive (x1 for IBI1, x2 for IBI2; x3 for IBI3), Control Ground |
| Warranty | Three years |

OPTIONS

Three colours



DIMENSIONS



ANALYTIC SYSTEMS
Power Conversion Solutions

Looking for dependable marine batteries & power? Rely on Analytic Systems for quality and long-lasting products.