



Digital Signal Processor controlled

Universal worldwide AC input

Computer programmable

Simple front panel controls



Easy connection to loads

PWI320 INTELLIGENT POWER SUPPLY

The PWI320 Intelligent Power Supply delivers a full 300 watts of output power for communications, control or a wide variety of other devices. It is fully Digital Signal Processor controlled and feature Universal Input Voltage from 85 to 265 VAC at 50 or 60 Hz with Active Power Factor Correction for the most efficient use of AC power.

The Power Supply is preset to the same voltage as a fully charged battery of the nominal output voltage (ie. 13.6V for a 12V model, etc.).

Seven dual color LEDs clearly indicate output current levels as well as indicating faults with the Power Supply. Safety features include Power Supply over temperature shutdown, current limiting, short circuit protection, input under voltage shutdown and output overvoltage protection all with automatic recovery.

5 YEAR WARRANTY



Available models

12V 24V 28V 32V 36V 48V

Applications



PWS320 | INTELLIGENT BATTERY CHARGER

INPUT

Volts	85 - 265VAC, 1 Phase, 45 - 65 Hz
Current (max) *	4 Amps w/ Inrush Protection
Input Fuse	AGC 5 Amp
Power Factor	>0.99 at Full Load
Efficiency	>90% at Full Load

* Maximum Input Current Specified at 105 VAC, output power derated below 105 VAC

OUTPUT

Nominal Voltage	12 VDC	24 VDC	32 VDC	36 VDC	48 VDC
Voltage Range **	12.0 - 14.0	24.0 - 28.0	32.0 - 37.3	36.0 - 42.0	48.0 - 56.0
Output Amps Cont/Peak	20 / 25	10 / 12.5	8.0 / 9.6	7.5 / 9.4	5 / 6.25

** Actual Output Voltage determined by User Settings or by Charger Firmware

MECHANICAL

Dimensions	9.5 in / 24.1 cm Long x 8.2 in / 20.3 cm Wide x 3.25 in / 8.3 cm High
Clearance	1.0 in / 2.5 cm all around
Weight	6.2 lb / 2.8 kg
Material and Finish	Marine Grade Black Anodized Aluminum with 18-8 Stainless Fasteners
Mounting	Wall or Shelf Mount
Connections	Integrated Color Coded Terminal Blocks

ENVIRONMENTAL AND SAFETY

Operating Temperature Range	-25°C to +40°C (-40°C to +55°C Optional)
Storage Temperature Range	-55°C to +85°C
Humidity	0 - 95% Relative Humidity (non-condensing) with standard conformal coating
Emissions	Meets FCC Part 15, Class B
Ingress Protection	IP52, Dust and Dripping Water Protected
Isolation	> 1500 VDC Input-Output, Input-Case, Output-Case
Audible Noise	None
Duty Cycle	Continuous
Warranty	Five Years Parts and Labor
Safety	Built to meet ABS, CE, UL458 and CSA 22.2.107.1

OPTIONS

Digital Display of Voltage and Current (lengthens chassis)

High Vibration Rugged Duty

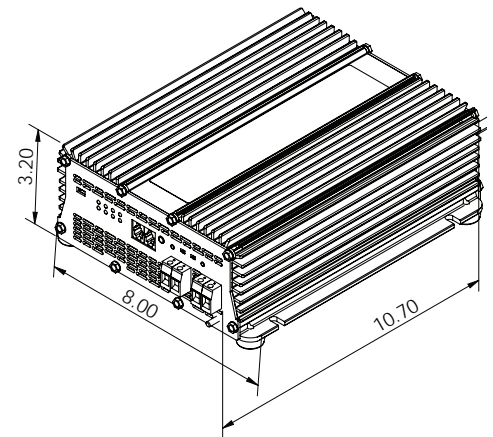
Dry Contact Output Fail Relay

Carrying Handle

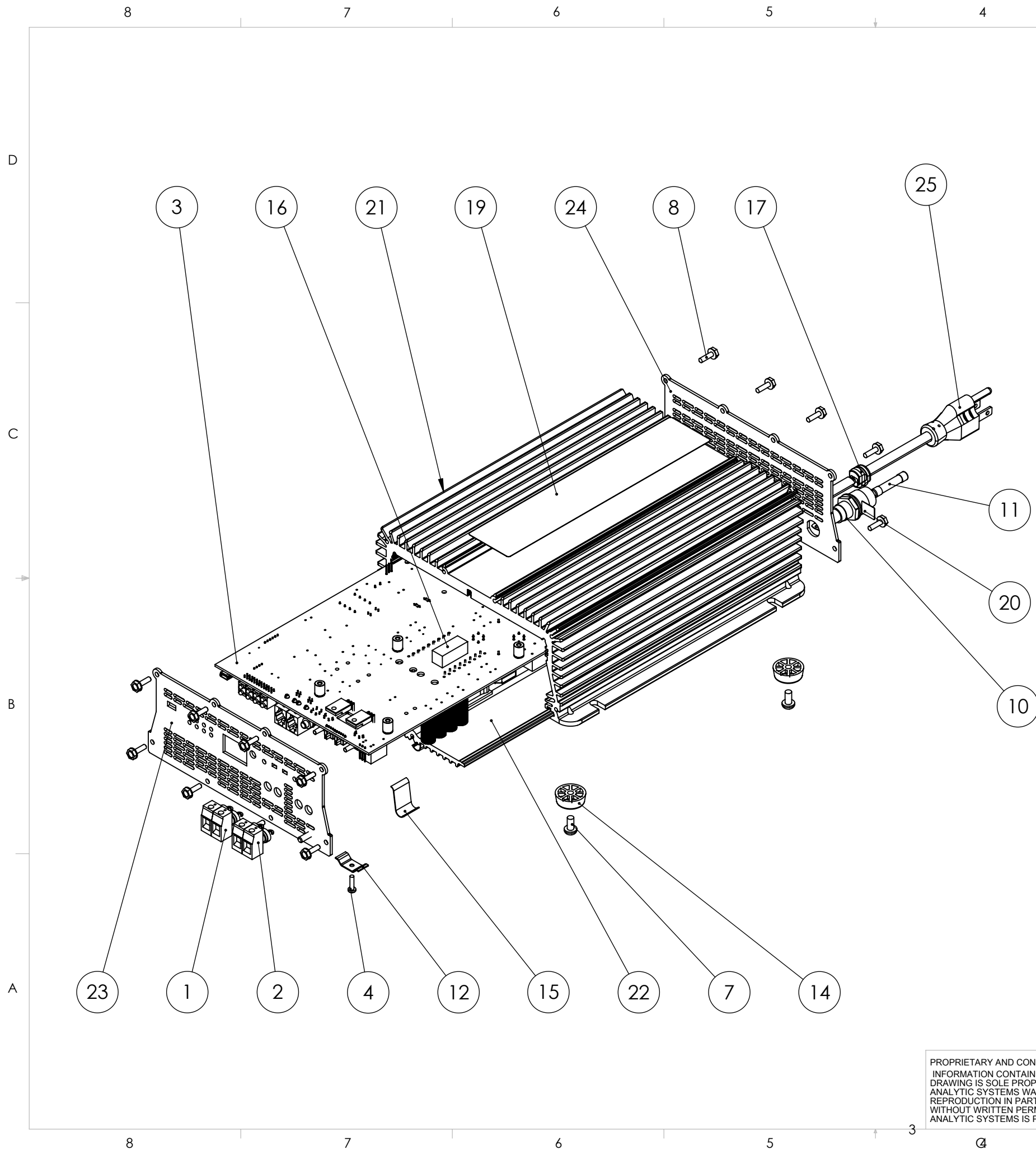
Canbus / RS232 / Remote Control port

PWI320MW model available with MIL connectors, extra input and output filtering and sealed to IP66


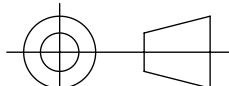
DIMENSIONS



ANALYTIC SYSTEMS
Power Conversion Solutions



ITEM NO.	PartNo	DESCRIPTION	QTY.
1	CONN.100559	Conn, Feed Through 32A Phoenix 1846592 VDFK 4 BK	2
2	CONN.100582	Conn, Feed Through 32A Phoenix 1846602 VDFK 4 RD	2
3	CORE.100294	Core 12455 - IBC300-24 Rev.1	1
4	FAST.100067	SCREW, 4-40 x 7/16 PH, PH, SS	1
5	FAST.100092	SCREW, 6-32 x 3/4 PH, PH, SS	3
6	FAST.100107	WASHER, #6, SPLIT, SS	3
7	FAST.100223	SCREW, 10-32, PH, PH, 3/8 IN LONG	4
8	FAST.100239	SCREW, 6-32x1/2 HEX HEAD TAPTITE	16
9	FAST.100272	WASHER, #6 FLAT 5/16 OD SS	3
10	FUSE.100025	FUSE HOLDER HKP	1
11	FUSE.100036	FUSE MDA 5 AMP	1
12	HDWE.100150	POWER CLIP KUNZE KU-4-430	1
13	MGTC.100254	Ferrite Core EMI L/F 15.0MM, LFB250150-000	2
14	HDWE.100311	BUDWIG RUBBER FEET SF8T-TPR87-B	4
15	HDWE.100334	MOUNTING CLIP TO 220/TO247 - AAVID MAX 03NG	1
16	HDWE.100346	IMTH Thermal Pad Kit - 12455	0.0275
17	HEYC.1137	HEYCO STRAIN RELIEF 1137 (SP3-4)	1
18	LABL.100354	LABEL, FRONT, BCA PWS 320 - 12455	1
19	LABL.100355	LABEL, TOP, BCA PWS 320 - 12455	1
20	LABL.100356	LABEL, BACK, BCA PWS 320 - 12455	1
21	METL.200712	CHASSIS EXT. 19 BCA-PWS 320 12455	1
22	METL.200713	BOTTOM PLATE EXTR. 18 IBC 12455	1
23	METL.200714	FRONT PANEL EXTRUSION 19 BCA-PWS 320 12455	1
24	METL.200715	REAR PANEL EXTRUSION 19, BCA-PWS 320 - 12455	1
25	WIRE.100172	POWER CORD 3x14 AWG SJT SHIELDED 1.5M	1

	0.A	PRELIMINARY RELEASE		JUN-25-2013	PAUL RADA
ECO REV.		DESCRIPTION		DATE	BY
UNLESS OTHERWISE SPECIFIED ALL DIMENSIONS ARE IN INCHES		ENG.DSGN.	NAME	DATE	 ANALYTIC SYSTEMS Power Conversion Solutions TITLE: Final Assy IBC300-24 - 12455
TOLERANCES: ANGULAR: ± .5° BEND ± 0.015 ONE PLACE DECIMAL ± 0.030 TWO PLACE DECIMAL ± 0.020 THREE PLACE DECIMAL ± 0.010		ENG. APPR.	ED	03-JUL-12	
INTERPRET GEOMETRIC TOLERANCING PER: ASME Y14.5 - 2009		MFG APPR.	GB		
		Q.A.	AM		
PROJECT		12455		PRODUCT	IBC 300
MATERIAL		THIRD ANGLE PROJECTION		SIZE	DWG. NO.
FINISH				B	FASY.101035 MKT B
DO NOT SCALE DRAWING		SCALE: 1:3		CAGE CODE: L0694	SHEET 1 OF 3

PROPRIETARY AND CONFIDENTIAL INFORMATION CONTAINED IN THIS DRAWING IS SOLE PROPERTY OF ANALYTIC SYSTEMS WARE LTD. REPRODUCTION IN PART OR WHOLE WITHOUT WRITTEN PERMISSION OF ANALYTIC SYSTEMS IS PROHIBITED.

