

AQUALUMA®
LED LIGHTING



INTERNATIONAL PATENTS APPLY

MARINE CATALOGUE

COMPANY PROFILE

Established in 2004 Aqualuma is a privately owned company based on the Gold Coast, Queensland, Australia. Situated in the heart of the Australian marine industry, Aqualuma is widely regarded as the world's leading LED marine lighting manufacturer. Aqualuma has redefined the underwater light industry with superior technology and high-quality products, lighting the water and exteriors of vessels around the world.

In 2014 Aqualuma introduced the all new GEN 4 Thru-Hull Range.

Aqualuma's iconic Thru-Hull range is the world's first and only underwater light range with a one-piece polymer housing unit that has no lenses or seals and is patented in 127 countries. Aqualuma's extensive research and development program has seen the range grow to include a comprehensive and versatile range of lighting, including thru-hull, submersible, deck and flood lighting.

Aqualuma's use of LED technology allows the company to help manufacturers and owners around the world become more energy efficient. State of the art manufacturing processes offers the minimization of energy consumption in every step of the production and distribution process. Aqualuma products are more than 90% recyclable.

Aqualuma operates globally with sales and service centers in Europe, Asia, Oceania, UAE and the Americas and products are distributed in more than 36 countries.

With a superior product range, market leading warranty and cutting edge technology, Aqualuma has made the choice easy for customers who desire the best in marine lighting.

In 2013 Aqualuma was the winner of the Gold Coast Mayors Innovation Award. In 2011 voted "Australian Exporter of the Year" by AIMEX Australian International Marine Export Group, and in 2010, we were awarded the Sunseeker "Supplier of the year" for excellence and customer service.





UNDERWATER LIGHTING RANGE & WARRANTY

Aqualuma revolutionized underwater lighting in 2004 with its Thru-Hull range, a unique upgradeable and serviceable LED underwater light. Aqualuma Thru-Hull lights are the world's first and only underwater lights with a one piece, corrosion-proof and injection-moulded housing that has no lenses or seals and can be serviced and upgraded without the need for haul out.

These lights are virtually unbreakable and have been pressure tested to 396 metres (1300 feet) below sea level. The real advantage of the Aqualuma Thru-Hull system is the ability to continually upgrade without the need of a haul out as LED technology advances and many of Aqualuma's original customers have taken advantage of this service.

Aqualuma's Submersible Range, which includes the Dock Light and Surface Mounts are also made from a high tech polymer and are non-corrosive. Aqualuma's Thru-Hull range features a world-leading 6 year warranty on the Thru-Hull housings and a 3 year warranty on internals, something unmatched by any other underwater light manufacturer. All other Aqualuma products carry an impressive 2 year warranty. This a total warranty, covering all components of the product.



GEN 4 6 SERIES

THE ICONIC 3 SERIES HAS DOUBLED IN OUTPUT BUT NOT IN SIZE.
ALL GROWN UP INTO THE AMAZING, NEW GEN 4, 6 SERIES.

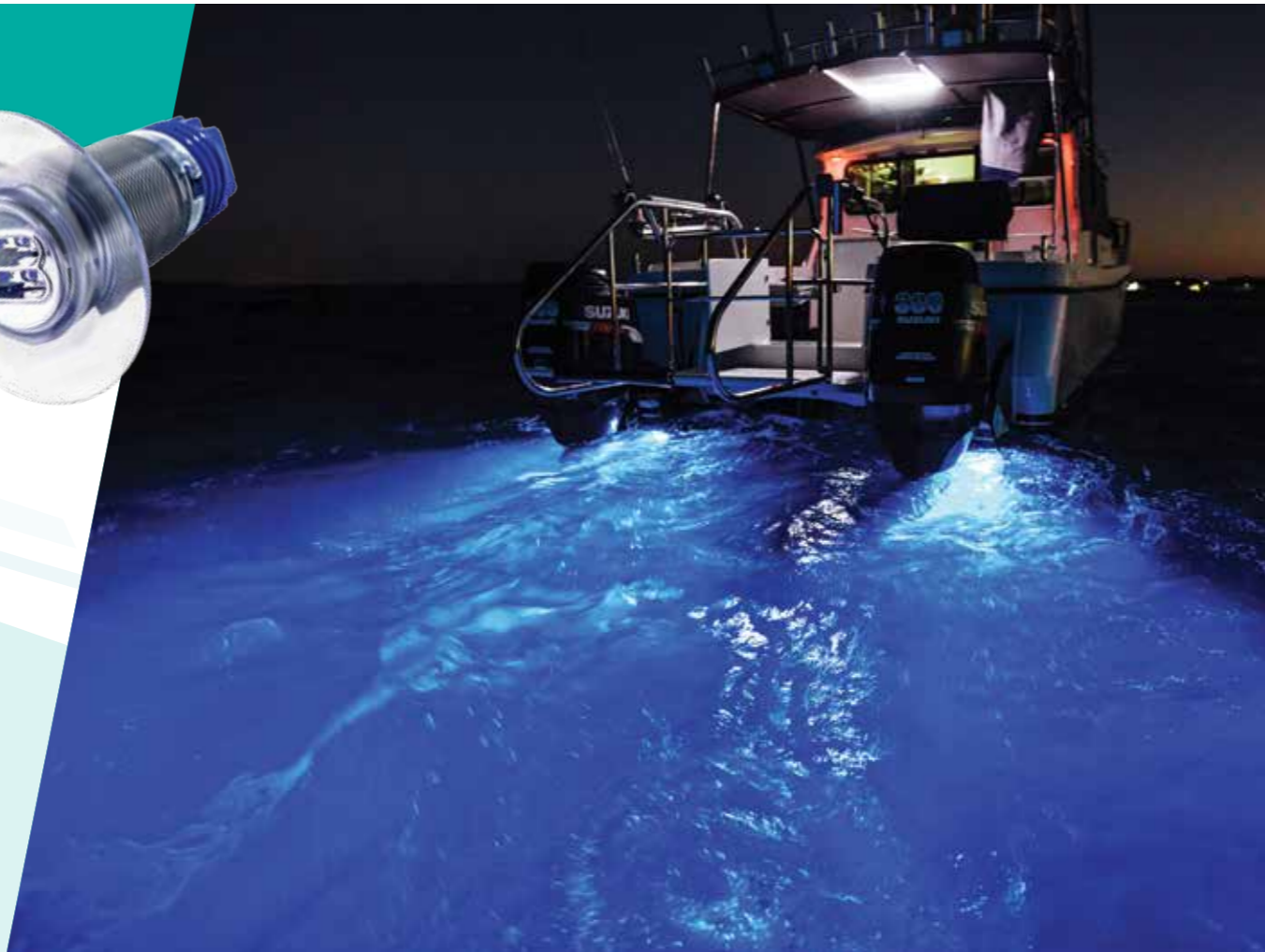
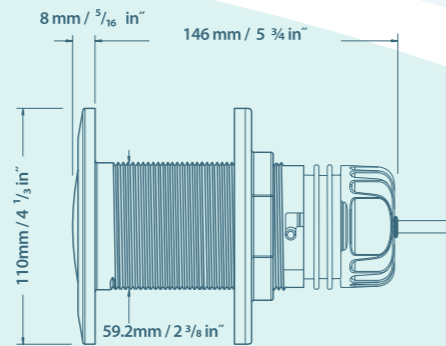
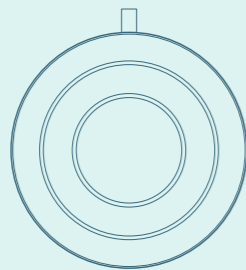
Designed with long life in mind, the all new 6 Series is corrosion-proof and features Aqualuma's injection-moulded, patented polymer housing – the most sophisticated material in underwater lighting available. The 6 Series is fully serviceable and upgradable without the need for haul out. Available in Ultra Blue and Brilliant White, this product is recommended for boats ranging from 6 metres (20 feet) to 13 metres (45 feet). As part of the thru-hull range, the 6 Series features Aqualuma's 6 year housing warranty with a 3 year warranty on internals.

BRILLIANT WHITE

- Color temperature 9000 to 10000 degrees Kelvin (the colder the white the further it travels in water)
- Fixture Lumens : 770 lm
- Fixture Lumens Lowlight Conditions: 1,725 lm

ULTRA BLUE

- Color temperature 470nm (the color that travels further in salt water than any other)
- Fixture Lumens : 295 lm
- Fixture Lumens Lowlight Conditions : 4,900 lm



TECHNICAL SPECIFICATIONS

- Gen 4 LED technology
- 3 year warranty on internals
- 6 year housing warranty
- Patented, High-Tech chemically resistant polymer housing
- No lens seal to leak, low heat emission
- Low power consumption: 12 or 24 volt dc approx. 1 amp per light @ 12 volt or 0.5 of an amp @ 24 volt
- Internally serviceable and upgradable without haul-out
- Can be operated in or out of the water
- No bonding to anodes required
- Reverse polarity protected
- External ignition protection
- Serviceable driver module
- Each light comes with 3.7 metres (12 feet) of cable
- Easy and low cost 2-wire installation
- 60mm/2 3/8" thru-hull fitting
- Meets World EMI standard
- All new combination optic with increased horizontal spread

GEN 4 12 SERIES

BIGGER, BETTER, BRIGHTER: AS PART OF THE ICONIC THRU-HULL RANGE, THE 12 SERIES IS A SERIOUS LIGHT DESIGNED TO ILLUMINATE LARGER BOATS

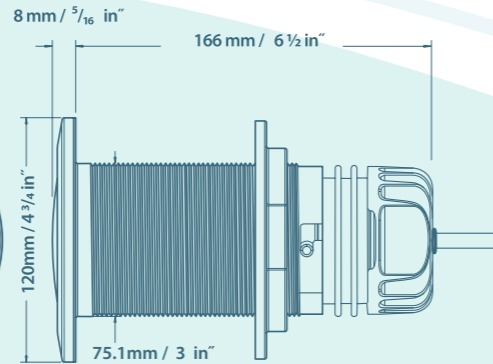
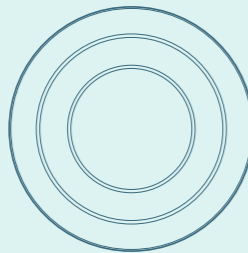
The 12 Series is a larger thru-hull option. This powerful light is capable of packing a serious punch. The 12 Series has a corrosion-proof, injection-molded, patented polymer housing and is internally driven and maintainable. Available in Ultra Blue and Brilliant White, this product is recommended for boats from 12 metres (40 feet) to 30 metres (100 feet). As part of the Thru-Hull range, the 12 Series features Aqualuma's 6 year housing warranty with a 3 year warranty on internals.

BRILLIANT WHITE

- Color temperature 9000 to 10000 degrees Kelvin (the colder the white the further it travels in water)
- Fixture Lumens : 1,525 lm
- Fixture Lumens Lowlight Conditions: 3,608 lm

ULTRA BLUE

- Color temperature 470nm (the color that travels further in salt water than any other)
- Fixture Lumens : 570 lm
- Fixture Lumens Lowlight Conditions : 9,990 lm



TECHNICAL SPECIFICATIONS

- Gen 4 LED technology
- 3 year warranty on internals
- 6 year housing warranty
- Patented, High-Tech chemically resistant polymer housing
- Internally serviceable and upgradable
- 12 or 24 volt dc
- Current draw of less than 2.0 amps @ 12 volt or 1.0 amp @ 24 volt
- No bonding to anodes required
- Meets world EMI standard
- No lens seals to deteriorate or leak
- Serviceable driver module
- 3.7 metre (12 feet) of tinned marine cable
- Easy low cost 2-wire installation
- 75mm/3" thru-hull fitting
- External ignition protection
- Throws both a deep penetrating and wide flat beam of light from the one unit
- All new combination optic with increased horizontal spread

GEN 4 18 SERIES

BIGGER, BEST, BRIGHTEST. THE 18 SERIES IS THE LATEST EDITION TO AQUALUMA'S THRU-HULL RANGE. DESIGNED TO ILLUMINATE THE WORLDS LARGEST SUPERYACHTS.

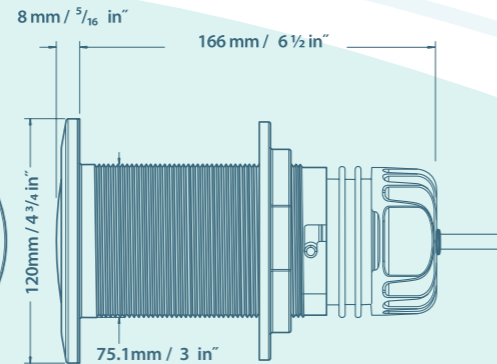
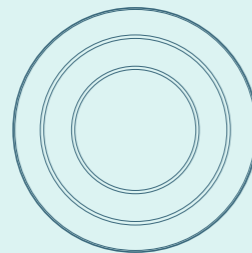
The 18 Series is our largest Thru-Hull option. Designed for large vessels and superyachts, the 18 Series delivers a huge light output at an affordable price in our patented, one piece polymer housing and has the ability to be serviced from inside the vessel. The 18 Series ultra light is encased in our 12 Series housing and gives Aqualuma 6 and 12 Series owners the ability to upgrade to the 18 Series from inside the boat with no haul out.

BRILLIANT WHITE

- Color temperature 9000 to 10000 degrees Kelvin (the colder the white the further it travels in water)
- Fixture Lumens : 2,150 lm
- Fixture Lumens Lowlight Conditions: 4,920 lm

ULTRA BLUE

- Color temperature 470nm (the color that travels further in salt water than any other)
- Fixture Lumens : 835 lm
- Fixture Lumens Lowlight Conditions : 14,100 lm



TECHNICAL SPECIFICATIONS

- Gen 4 LED technology
- 3 year warranty on internals
- 6 year housing warranty
- Patented, High-Tech chemically resistant polymer housing
- Internally serviceable and upgradable
- 12 or 24 volt dc
- Current draw of less than 2.6 amps @ 12 volt or 1.3 amp @ 24 volt
- No bonding to anodes required
- Meets world EMI standard
- Throws both a deep penetrating and wide flat beam of light from the one unit
- No lens seals to deteriorate or leak
- Serviceable driver module
- 3.7 metre (12 feet) of tinned marine cable
- Easy low cost 2-wire installation
- 75mm/3" thru-hull fitting
- All new combination optic with increased horizontal spread

GEN 4 18 TRI SERIES

THE COLOURFUL TRI SERIES IS ALL ABOUT OFFERING CHOICE. DECIDING WHICH AQUALUMA PRODUCT TO PURCHASE HAS JUST BEEN MADE EASIER.

The Tri Series combines the brilliance of the blue and white LEDs within the body of the 12 and 18 Series and offers customers the choice of two colours (9 blue and 9 white LEDs) in the one housing. Choose to operate just one colour, or run them together to get a mix of the two, at an intensity that is equal to the 18 Series. Manufactured in the incredibly robust one-piece, corrosion-proof and injection-molded polymer housing. As part of the Thru-Hull range, the 18 Series features Aqualuma's 6 year housing warranty with a 3 year warranty on internals.

BRILLIANT WHITE

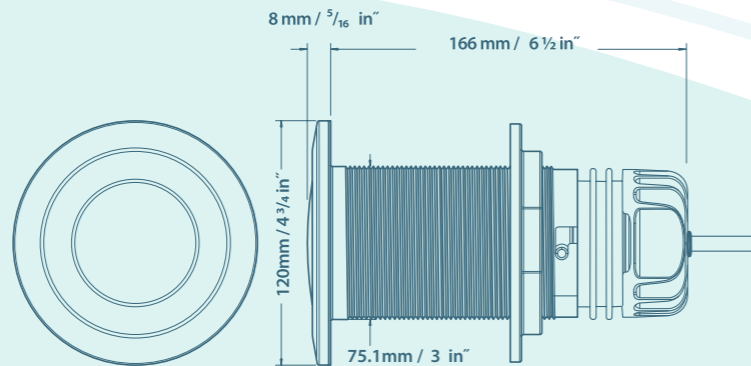
- Color temperature 9000
- Fixture Lumens : 1075 lm
- Fixture Lumens Lowlight Conditions: 2475 lm

ULTRA BLUE

- Color temperature 470nm
- Fixture Lumens : 418lm
- Fixture Lumens Lowlight Conditions : 7,050 lm

BLUE / WHITE TRI

- Fixture Lumens : 1,493lm
- Fixture Lumens Lowlight Conditions : 9,525 lm



TECHNICAL SPECIFICATIONS

- Gen 4 LED technology
- 3 year warranty on internals
- 6 year housing warranty
- Patented, High-Tech chemically resistant polymer housing
- Low dc current draw, 12 or 24 volt dc
- 2 colours in the one unit can be run individually or together
- Internally serviceable and upgradable
- Can be operated in or out of the water
- Meets World EMI standard
- No bonding to anodes required
- Operating current:
 - with 1 of either colours: less than 1.3 amps @ 12 volt
 - with both colours: less than 2.6 amps @ 12 volt
- Serviceable driver module
- Throws both a deep penetrating and wide flat beam of light from one unit
- 75mm/3" thru-hull fitting
- All new combination optic with increased horizontal spread

GEN 4 FF12 SURFACE MOUNT

**THE FF12 SURFACE MOUNT OFFERS THE ULTIMATE PERFORMANCE
WHERE A SURFACE MOUNTED UNDERWATER LIGHT IS THE ONLY OPTION.**

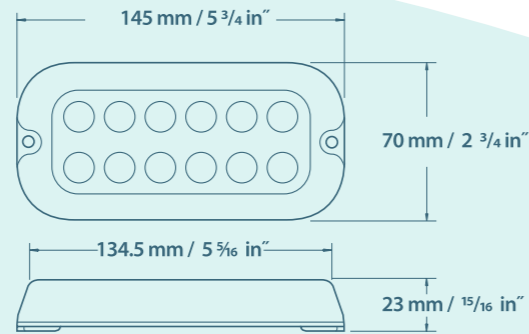
The FF12 has a new design, higher output and built in thermo control allowing greater life and wider applications. The FF12 caters to all boats where a Thru-Hull fitting is not possible. The FF12 is a fully self contained fitting with a simple 2 wire installation. It produces both distance and width and can be mounted on any flat surface.

BRILLIANT WHITE

- Color temperature 9000 to 10000 degrees Kelvin (the colder the white the further it travels in water)
- Fixture Lumens : 2,000 lm
- Fixture Lumens Lowlight Conditions: 4,390 lm

ULTRA BLUE

- Color temperature 470nm (the color that travels further in salt water than any other)
- Fixture Lumens : 600 lm
- Fixture Lumens Lowlight Conditions : 10,460 lm



TECHNICAL SPECIFICATIONS

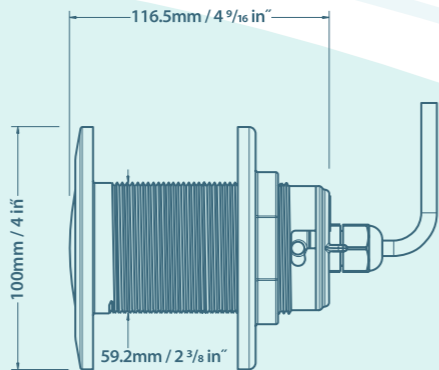
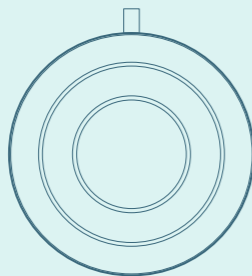
- Cable length 2 metres (6 feet) of tinned submersible cable
- Cable diameter 6mm/¼ inch
- Can accept 12 or 24 volt dc
- Current draw less than 2 amps @ 12 volt dc and 1 @ 24 volt dc
- High-tech polymer housing
- Reverse polarity protected
- Long life, high output 12 LED light engine
- Low cost installation
- Fitting kit contains mounting screws and drilling template
- Recommended for any vessel where thru-hull applications are not suited
- Available in Brilliant White and Ultra Blue
- 2 year warranty



LUMA-VU

FOR THOSE CURIOUS TO FIND OUT WHAT LIES BELOW THE OCEAN'S GLASSY SURFACE, LET THE LUMA-VU CAMERA SHOW YOU.

The Luma-Vu Camera gives you a crystal clear view of what's happening in the ocean beneath you. Simply flick the switch and a kaleidoscope of colour will be revealed. Manufactured with Aqualuma's famous corrosion-proof, injection-moulded polymer housing, this high resolution colour CCTV camera is virtually bullet proof (and definitely shark proof!). Luma-Vu will connect to any video input and continues Aqualuma's commitment to enhance your boating experience.



TECHNICAL SPECIFICATIONS

- 2 year warranty
- Colour CCTV camera
- Hi res 520 TV lines
- NTSC or Pal Format
- Scanning system NTSC 525 lines, PAL 625 lines
- 3.6mm lens = 92° viewing angle
- 12 volt dc power source (tolerance 10-15 volt)
- Operating current 130 mA
- Sony image sensor
- Front face and sealing flange 110mm/4.33"
- Overall length 110.5mm/4.35"
- Hole saw size 60mm/2 3/8"
- Supplied with 15 metre (49 feet) of video and power supply cable.
- Scratch resistant polymer housing
- Auto iris
- Luma Vu Camera is mounted in a 6 Series housing (60mm 2 3/8" cut out)

GEN 4 DOCK LIGHT

AQUALUMA'S PREMIUM QUALITY DOCK LIGHT ILLUMINATES MARINA'S AND DOCKS WORLDWIDE.

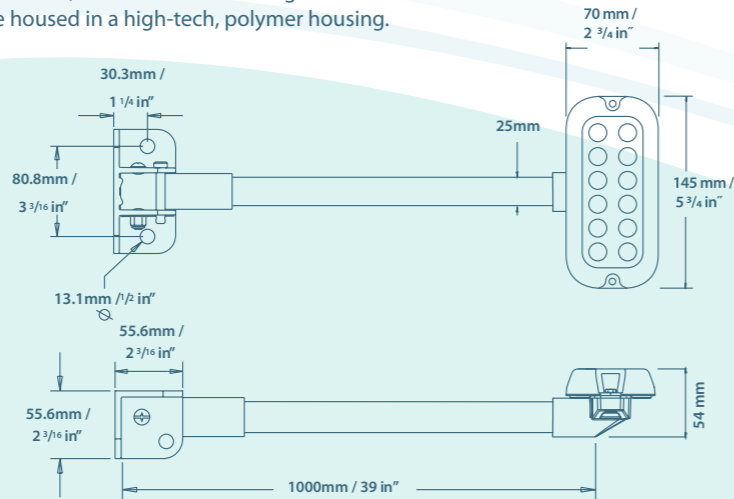
The all new Dock Light is a totally redesigned light and has a greater output than its predecessor. With 12 high powered LED's and new optics certain to offer a fantastic light display to docks and marina's. The Dock Light has no metal parts in contact with the water and its leak proof construction eliminates corrosion worries, as well as withstanding environmental forces. Incredibly durable, its 12 LEDs are housed in a high-tech, polymer housing.

BRILLIANT WHITE

- Color temperature 9000 to 10000 degrees Kelvin (the colder the white the further it travels in water)
- Fixture Lumens : 2,000 lm
- Fixture Lumens Lowlight Conditions: 4,390 lm

ULTRA BLUE

- Color temperature 470nm (the color that travels further in salt water than any other)
- Fixture Lumens : 600 lm
- Fixture Lumens Lowlight Conditions : 10,460 lm



TECHNICAL SPECIFICATIONS

- Cable length 6 metres (19.6 feet) of tinned submersible cable
- Cable diameter 6mm/1/4 inch
- Can accept 12 or 24 volt dc
- Current draw less than approximately 2 amps @ 12 volt dc and 1 @ 24 volt dc
- High-tech polymer housing
- Reverse polarity protected
- Long life, high output 12 LED light engine
- Low cost installation
- Fiberglass pole, nylon mounting bracket and 316 S/S pin included
- Quick release bracket system for ease of cleaning
- Available in Brilliant White and Ultra Blue
- 2 year warranty



SPREADER LIGHT 12

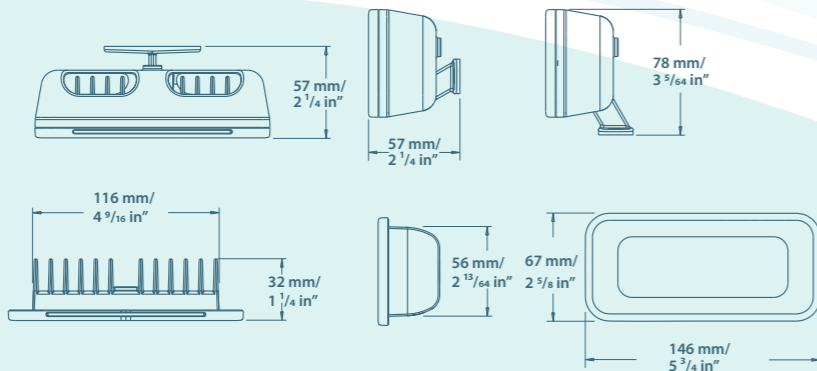
THE NEW SL12 COMES IN TWO VERSIONS: FLUSH MOUNT AND BRACKET MOUNT ALLOWING FUNCTIONALITY AND SMOOTH STYLING FOR A WIDE RANGE OF APPLICATIONS.

The very powerful SL12 has built in thermo control to monitor heat and will automatically ramp itself down if left on during excessively hot days.

The SL12 is available in flush or bracket mount versions. Either are easy to install, offering a fantastic output and neat appearance. Manufactured in marine grade aluminium and powder coated with a stainless steel or white bezel.

BRILLIANT WHITE

- Color temperature 8000 degrees Kelvin
- Fixture Lumens : 2,000 lm



TECHNICAL SPECIFICATIONS

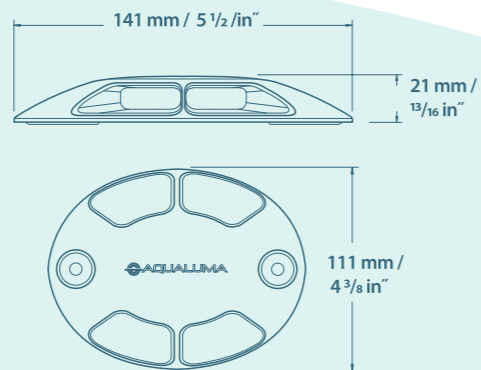
- Cable length 2 metres (6 feet)
- Current draw less than 2 amps @ 12 volt dc
- Reverse polarity protected
- Available in flush or bracket mount
- 8000k White
- Long life, high output 12 LED light engine
- White or S/S bezel
- Can accept 12 or 24 volt dc
- Recommended for any vessel where quality deck lighting is essential
- Powder coated aluminium housing with scratch resistant polymer lens
- Very wide beam to illuminate large areas
- 2 year warranty



PATHWAY LIGHT

THE PATHWAY LIGHT CASTS A FLAT BEAM OF LIGHT IN TWO DIRECTIONS FOR MARINAS, WALKWAYS, GENERAL LAND BASED PATHWAYS AND WALL WASH APPLICATIONS.







Made from die cast stainless steel, this light is designed for many applications including marina walkways, driveways, parks and anywhere an illumination is required without glare. The Pathway Light throws a flat, wide beam to produce accent lighting and safety lighting to areas where pedestrian traffic is likely. Colours can be mixed: For example it can be white on the path side and green on the lawn side. Also available in a white and blue combination for marina's. Combinations can be customized.



TECHNICAL SPECIFICATIONS

- 12V AC / DC
- 2 year warranty
- Current draw less than .2 of an amp @ 12 v
- Reverse polarity protected
- Low cost install
- Long life, high output LEDs
- Strong enough to be driven over
- Super slim profile
- Throws a wide flat beam with no upwards glare
- IP 66 Rated
- Housing 316 marine grade S/S
- Available in various combinations: white/white, white/blue, white/green, blue/blue, green/green and blue/green

LIGHT FITTING GUIDE

Boat Length		10-25 Ft	25-35 Ft	35-45 Ft	45-60 Ft	60-80 Ft	80-200 Ft
		3-7.5 Mtr	7.5-10.5 Mtr	10.5-14 Mtr	14-18 Mtr	18-24 Mtr	24-60 Mtr
1 Series		✓✓✓✓💧	✓☑️💧	✕✕	✕✕	✕✕	✕✕
6 Series		✓✓✓✓💧	✓✓✓✓💧	✓✓✓✓💧	✓☑️💧	✓☑️💧	✕✕
12 Series		✕☑️💧	✓✓✓✓💧	✓✓✓✓💧	✓✓✓✓💧	✓☑️💧	✓☑️💧
18 Series		✕☑️💧	✓☑️💧	✓✓✓✓💧	✓✓✓✓💧	✓✓✓✓💧	✓✓✓✓💧
Tri Series 18		✕☑️💧	✓☑️💧	✓✓✓✓💧	✓✓✓✓💧	✓✓✓✓💧	✓✓✓✓💧
FF12		✓☑️	✓✓✓	✓☑️	✕✕	✕✕	✕✕

Legend	✓✓✓✓	✓☑️	✕✕	💧
		Highly Recommended	Recommended. There are better options	Not Recommended

Please note the above chart is a guide only. Consult an Aqualuma dealer if you require additional assistance.

UPGRADE TO GEN 4

Did you know that all Aqualuma Thru-Hull fittings can be upgraded to the latest generation, with one simple process shown below. This upgrade can be done while the boat is in the water.



Twist end cap clockwise and remove old internals.



Slide new Generation internals into housing.



Twist cap anti clockwise, connect wire and you are done.

NOTES

COMPANY PROFILE

Established in 2004, Aqualuma is a privately owned company based on the Gold Coast in Queensland, Australia.



Widely regarded as the world's leading marine lighting manufacturer, Aqualuma has redefined the category with superior technology and high-quality products. An extensive research and development program has seen the range grow to include a comprehensive and versatile range of lighting, including thru-hull, submersible, deck and flood lighting. Aqualuma's iconic thru-hull range is the world's first and only underwater light range with a one-piece polymer housing unit that has no lenses or seals and is patented in 127 countries.

Since its inception, Aqualuma has worked exclusively with LEDs and has gained an extensive knowledge of what is required to design and manufacture world-class LED fixtures. Aqualuma's engineers include some of the world's leading LED specialists and optical designers. Strategic partnerships with US based LED and electronics manufacturers combine to give Aqualuma the strength on which its reputation has been built.

Building on their technological advantage, Aqualuma started developing their commercial and industrial lighting range, which was introduced in January 2013. The Highbay family has been independently tested to be the most energy efficient in the world. Designed and manufactured in Australia to the same standards as their marine lighting range, Aqualuma guarantees a long maintenance-free life span.

By harnessing the latest LED technology, it is now possible to manufacture industrial and commercial light fixtures that save money in both power consumption and maintenance costs. However, it is apparent that traditional lighting manufacturers and new start up companies do not always unlock the full potential offered by LED technology. Light fixtures currently available often leave a lot to be desired in terms of efficacy (the amount of light emitted for the power consumed) and reliability.

Aqualuma has sales and service centres in Europe, Asia, Oceania, UAE and the USA. Aqualuma products are distributed to more than 52 countries.



ISO 9001:2015 CERTIFIED

PRIMARY APPLICATIONS



Warehousing



Manufacturing



Exteriors / Awnings



Sports



Cold Rooms



Retail



Showrooms

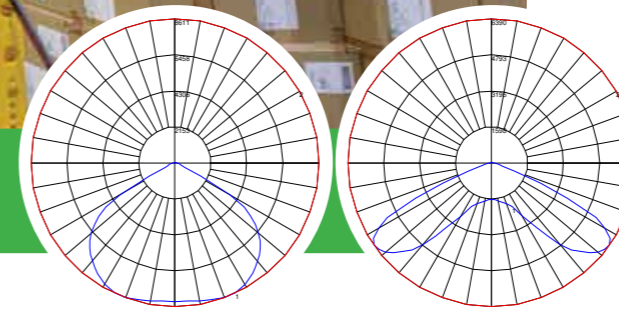


Food Production / Clean Rooms

Aqualuma is proud to service the following industry leaders



10
YEAR
WARRANTY



LED HIGHBAY

HIGHBAY OR LOWBAY OPTIC

The Aqualuma LED Highbay standard / lowbay optic is part of the premium commercial range and is designed specifically to replace traditional metal halide or induction lighting used in indoor and outdoor applications. Ideally suited for use in factories, cold stores and warehouses, including hazardous areas. Suitable for approximate heights between 3-13m.

Specifications

LED Light Source	Lumileds
Colour Temp (Tc)	4000 or 5300 Kelvin
CRI	CRI > 80 CRI > 70
Luminous Flux	Up to 27,500 lm
Efficacy	Up to 162lm/W
LED Current / LED	90W, 125W, 165W, 185W
Input Voltage	90V-277V 47-63Hz
Warranty	10 Year premium warranty (90-165W) - 7 Year (185W)
Optical Options	Highbay, lowbay, shops & stores
Lens Options	Clear or diffused acrylic, polycarbonate

Features

- One for one replacement for >400W metal halide light fittings
- 90W, 125W, 165W & 185W versions available
- Full spectrum colour rendering (improved visual acuity in comparison to metal halide and fluorescent light fittings)
- L70 rated for minimum 100,000hrs at 25°C
- LM6 marine grade aluminium / powder coated
- Certified to all applicable AS/NZ, European and USA standards
- Instant on / off
- IP66 rated
- IPART and VEET approved
- Intelligent control & sensor options available
- Flicker free

Electrical Specifications

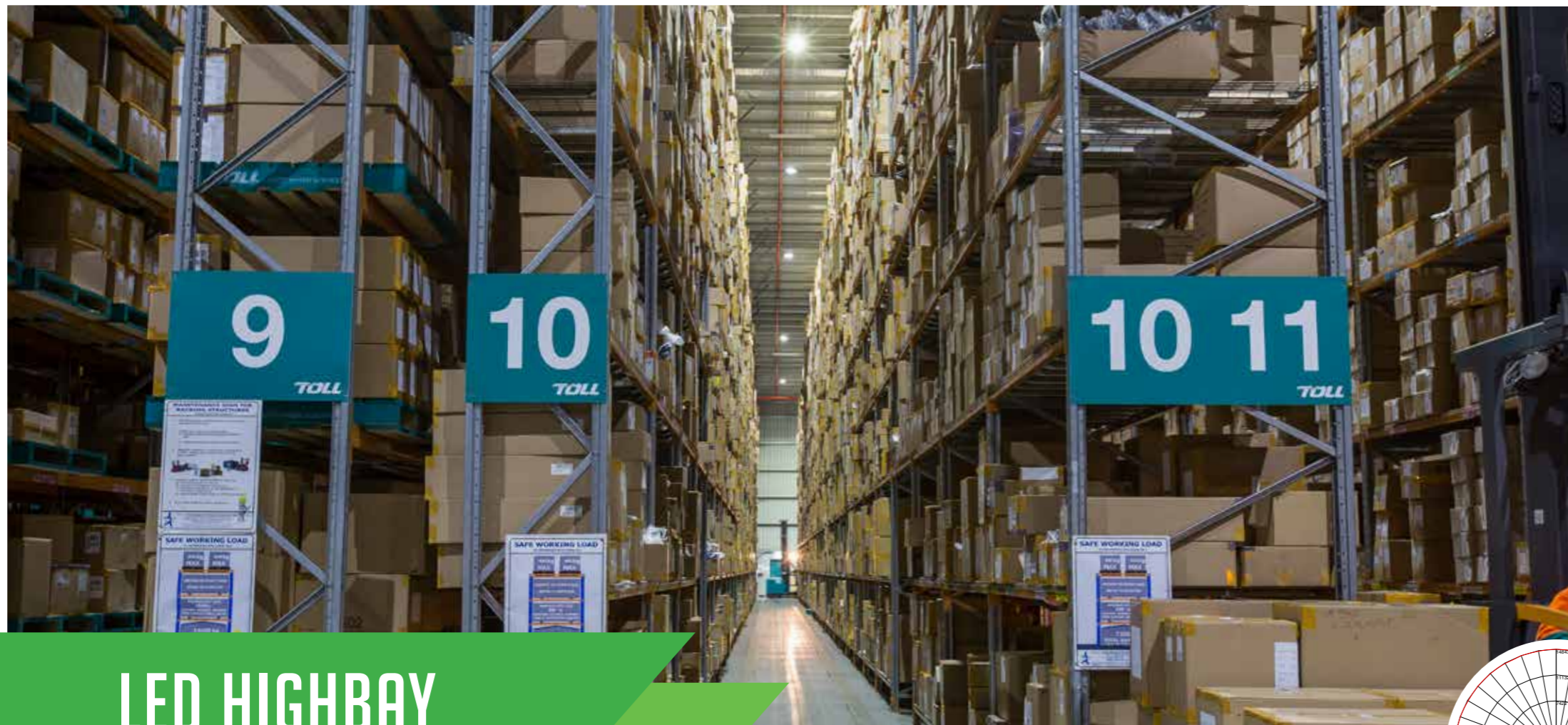
- Operating voltage:** 90-277VAC, 47-63Hz
- Power factor:** $\lambda > 0.90$
- Operating Temperature:** -40 °C to 45 °C

Mechanical Information

- Weight:** 7.5kg
- Mounting:** Eye, bracket, ceiling plate, ezystrut
- Cabling:** 3m PVC cable + 3 pin plug (std)
- Housing:** Marine grade powder coated "copper free" aluminium
- Lens:** Clear or diffused acrylic, polycarbonate

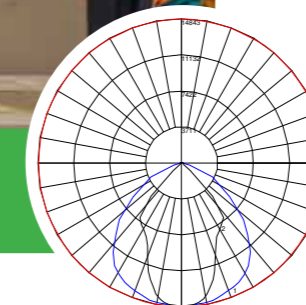


10 YEAR WARRANTY



LED HIGHBAY

aisle optic



The Aqualuma LED Highbay aisle optic is part of the premium commercial range and is designed specifically to replace traditional metal halide or induction lighting used in indoor and outdoor applications. The Highbay Aisle Optic is optimised to provide a long and narrow beam pattern, which is ideally suited to illuminate tall storage racking in warehouses and distribution centres.

Specifications

LED Light Source	Lumileds
Colour Temp (Tc)	4000 or 5300 Kelvin
CRI	CRI > 80 CRI > 70
Luminous Flux	Up to 25,945 lm
Efficacy	Up to 151lm/W
LED Current / LED	90W, 125W, 165W, 185W
Input Voltage	90V-277V 47-63Hz
Warranty	10 Year premium warranty (90-165W) - 7 Year (185W)
Optical Options	Aisle optic
Lens Options	Clear or diffused acrylic, polycarbonate

Features

- One for one replacement for >400W metal halide light fittings
- 90W, 125W, 165W & 185W versions available
- Full spectrum colour rendering (improved visual acuity in comparison to metal halide and fluorescent light fittings)
- L70 rated for minimum 100,000hrs at 25°C
- LM6 marine grade aluminium / powder coated
- Certified to all applicable AS/NZ, European and USA standards
- Instant on / off
- IP66 rated
- IPART and VEET approved
- Intelligent control & sensor options available
- Flicker free

Electrical Specifications

- **Operating voltage:** 90-277VAC, 47-63Hz
- **Power factor:** $\lambda > 0.90$
- **Operating Temperature:** -40 ° C to 45 ° C

Mechanical Information

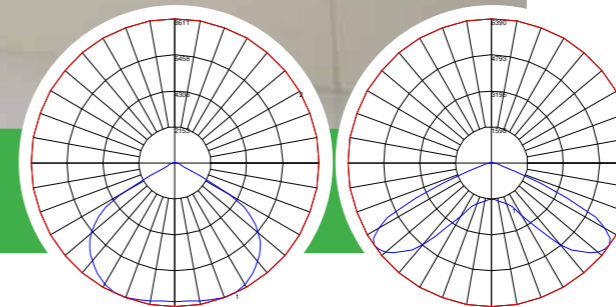
- **Weight:** 7.5kg
- **Mounting:** Eye, bracket, ceiling plate , ezystrut
- **Cabling:** 3m PVC cable + 3 pin plug (std)
- **Housing:** Marine grade powder coated "copper free" aluminium
- **Lens:** Clear or diffused acrylic, polycarbonate





LED HIGHBAY

WITH FOODSAFE ENCLOSURE



The Aqualuma Premium LED Highbay is designed to replace traditional metal halide or induction lighting used in indoor and outdoor applications. Ideally suited for use in factories, cold stores and warehouses, including hazardous areas. Suitable for heights between 5-13m. **Now available with HACCP approved Food Safe enclosure for clean areas food processing facilities.**

Specifications

LED Light Source	Lumileds
Colour Temp (Tc)	4000 or 5300 Kelvin
CRI	CRI > 80 CRI > 70
Luminous Flux	Up to 19,047 lm
Efficacy	Up to 162lm/W
LED Current / LED	90W and 125W
Input Voltage	90V-277V 47-63Hz
Warranty	7 Year premium warranty
Optical Options	Highbay, lowbay, Aisle, Shops & Stores
Lens Options	Clear or diffused acrylic, polycarbonate

Features

- Replaces >400W metal halide light fittings in any areas requiring food grade fixtures
- 90W & 125W versions available
- Full spectrum colour rendering (improved visual acuity in comparison to metal halide and fluorescent light fittings)
- L70 rated for minimum 100,000hrs at 25°C
- LM6 marine grade aluminium / powder coated
- Certified to all applicable AS/NZ, European and USA standards
- Instant on / off
- IP66 rated
- IPART and VEET approved
- Intelligent control & sensor options available
- Flicker free

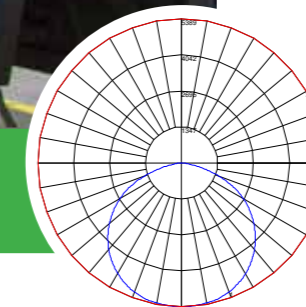
Electrical Specifications

- Operating voltage:** 90-277VAC, 47-63Hz
- Power factor:** $\lambda > 0.90$
- Operating Temperature:** -40 ° C to 45 ° C

Mechanical Information

- Weight:** 9.4kg
- Mounting:** Eye, bracket, ceiling plate, ezystrut
- Cabling:** 3m PVC cable + 3 pin plug (std)
- Housing:** Marine grade powder coated "copper free" aluminium
- Enclosure:** 1150 Aluminium powdercoated white gloss
- Lens:** Clear or diffused acrylic, polycarbonate





LED HIGHBAY

LITEBAY

Our market research indicated a high demand for a suitable alternative to the Aqualuma premium Highbay range. To facilitate this need Aqualuma has developed the Litebay, an Australian made and warranted Highbay. The Litebay has been created with the same quality and ingenuity Aqualuma is renowned for, but at a very competitive price. The 130W Litebay produces an impressive 16,130 lumen's providing an ideal light for light replacement solution for the commercial & industrial sector.

Specifications

LED Light Source	Lumileds	
Colour Temp (Tc)	5000 Kelvin	
CRI	CRI > 80	
Lens Options	Clear Acrylic	Diffuse Acrylic
Luminous Flux	16,130lm (127lm/w)	15,623lm (123lm/w)
LED Current / LED	130W	
Input Voltage	90V-277V 47-63Hz	
Warranty	5 year	
Lens Options	Clear or diffused acrylic	

Features

- One for one replacement for 400W metal halide light fittings
- Output flux 16,130 lm
- Luminaire efficacy up to 127 lm/W
- Full spectrum colour rendering (improved visual acuity in comparison to metal halide and fluorescent light fittings)
- LM6 marine grade aluminium / powder coated
- Certified to all applicable AS/NZ standards
- Instant on / off
- Sensor options available
- IP66 rated
- IPART approved
- VEET approved
- Flicker free

Electrical Specifications

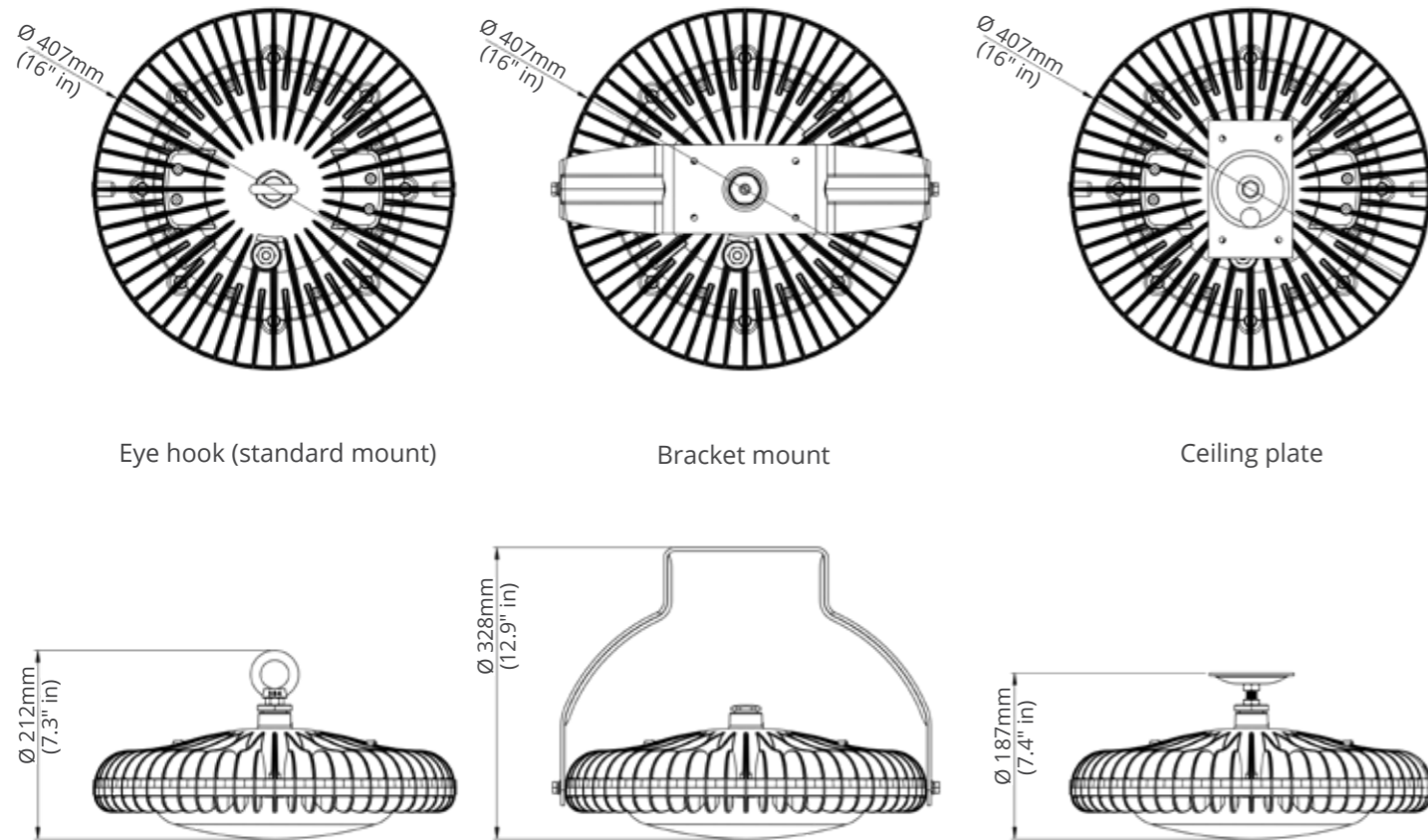
- Operating voltage:** 90-277VAC, 47-63Hz
- Power factor:** $\lambda > 0.99$
- Operating Temperature:** -40 ° C to 45 ° C

Mechanical Information

- Weight:** 7.5kg
- Mounting:** Eye, bracket, ceiling plate, ezystrut
- Cabling:** 3m PVC cable + 3 pin plug (std)
- Housing:** Marine grade powder coated "copper free" aluminium
- Lens:** Clear or diffused acrylic



DIMENSIONS - ALL HIGHBAY MODELS



MOUNTING OPTIONS - ALL HIGHBAY MODELS

	Eye mount (standard mount) 316 marine grade stainless steel eye mount
	Bracket mount (full 360° rotation) Powder coated aluminium bracket
	Ceiling plate
	Clear acrylic lens, diffuse acrylic lens, polycarbonate lens
	Ezystrut mount

HIGHBAY WITH UPLIGHT



The all new Aqualuma LED Highbay with uplight has given our world renowned Highbay a new dimension. The Aqualuma LED uplight is compatible with all versions of the premium LED Highbay. The Highbay with uplight has been designed specifically for the "Big Box Retail" sector where studies have shown a negative correlation between un-lit ceilings and shopper comfort, and therefore time spent in the store.

Features

- Provides simultaneous down and uplighting for retail and warehousing
- 90W, 125W, 165W & 185W versions available (highbay) + 20W uplight
- Output flux up to 25,600lm (highbay), 2000lm (uplight)
- Wall plug efficacy up to 144lm/W
- L70 rated for minimum 100,000hrs at 25°C
- LM6 marine grade aluminium / powder coated
- 7 year warranty
- Instant on / off
- IP 64
- Flicker free



HIGHBAY - HIGH OUTPUT

The Aqualuma LED Highbay - high output is part of the premium commercial range and is designed specifically to replace 1000W metal halide or induction lighting used in high indoor and outdoor applications. Ideally suited for use in factories and warehouses with approximate heights between 10-30m.

Features

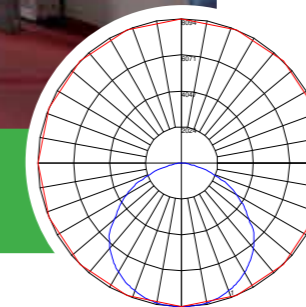
- Replaces up to 1000W metal halide light fittings
- 200W, 225W & 250W versions available
- Output Flux up to 32,497 lm
- Efficacy up to 132lm/W
- Full spectrum colour rendering results in improved visual acuity in comparison to metal halide and fluorescent light fittings
- L70 rated for minimum 100,000hrs at 25°C
- LM6 marine grade aluminium / powder coated
- 7 year warranty
- Instant on / off
- IP66 rated
- Flicker free





LED CANOPY

FOOD & PETROLEUM GRADE



The all new Aqualuma Food & Petroleum Grade Canopy Light has been designed for both new builds and retro fitting into food processing facilities, commercial cold stores, fuel station forecourts, and other canopy roofs. The Canopy light allows for ease of installation and can be surface mounted on multiple ceiling types including concrete or sandwich panel. The slim low-profile design requires very low maintenance and continues Aqualuma's renowned product reliability and energy efficiency.

Specifications

LED Light Source	Lumileds
Colour Temp (Tc)	5000 Kelvin
CRI	CRI 75
Luminous Flux	from 13,500lm to 23,095lm
LED Current / LED	90W, 125W, 165W
Input Voltage	90V-277V 47-63Hz
Warranty	5 year
Lens Options	Clear or Diffuse Acrylic
Mounting Options	Surface mount or with stand off frame

Features

- Provides lighting for food preparation facilities, commercial cold stores and service station forecourts
- 90W, 125W & 165W versions available
- Output flux from 13,500lm to 23,095lm
- Luminaire efficacy up to 150lm/W
- 6063 T5 aluminium, white powder coated and ABS componentry
- 5 year warranty
- Instant on / off
- Food Grade certification
- IP65 rated
- IPART Approved
- VEET Approved
- Flicker free

Electrical Specifications

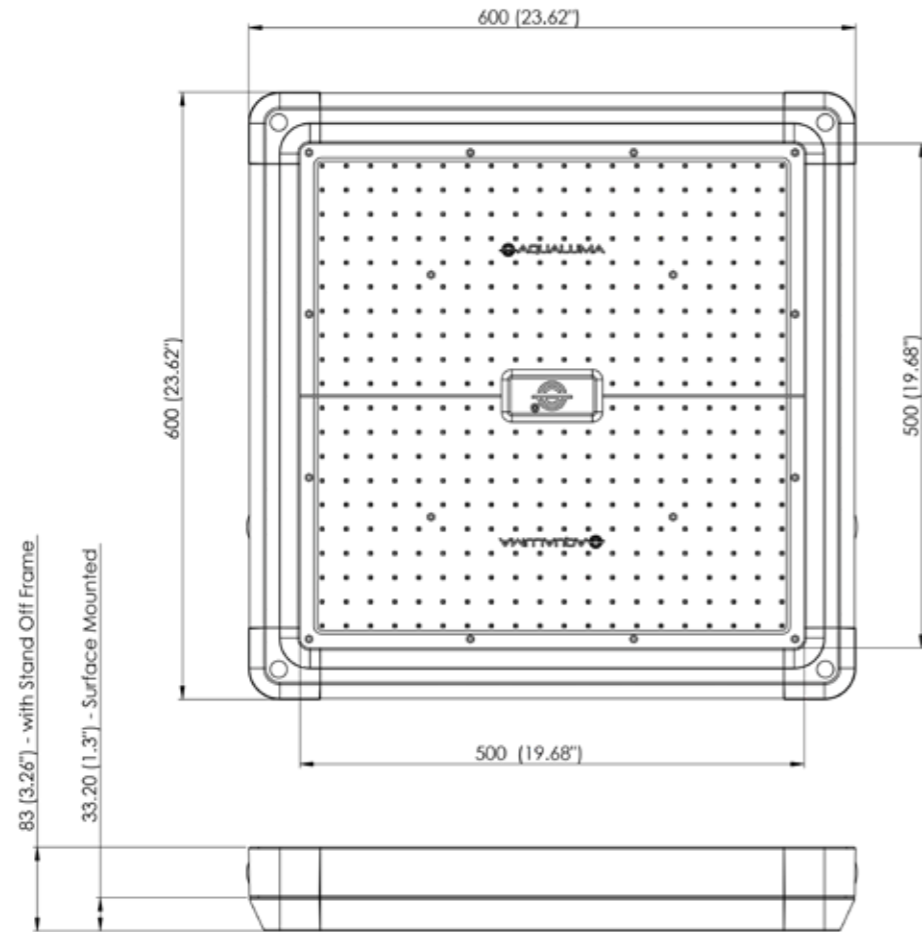
- Operating voltage:** 90-277VAC, 47-63Hz
- Power factor:** $\lambda > 0.96$
- Operating Temperature:** -40 ° C to 45 ° C

Mechanical Information

- Weight:** Slimline=6.5kg / with stand off frame=8kg
- Mounting:** Surface mount or with stand off frame
- Cabling:** 1.5m cable rated to -40 ° C to 75 ° C (std)
- Housing:** 6063 T5 aluminium, white powder coated and polycarbonate componentry
- Lens:** Hardened acrylic, UV Polycarbonate, Toughened Glass



DIMENSIONS - FGP CANOPY LIGHT



MOUNTING OPTIONS - FGP CANOPY LIGHT



Stand Off Frame: Allows install into surfaces where surface mount option is not available such as concrete slabs or any material where ceiling access is limited. Stand off frame sold as an optional extra.



Surface Mount - Slimline: Allows for a clean visually appealing surface install where the driver can be placed upright into the ceiling cavity. Plastic caps are provided to conceal the screw heads once securely tightened.

Please Note: It is the responsibility of the installer to ensure that the appropriate hardware is used to fix the luminaire to the ceiling. Holes have been sized for a M5 Tech Screw.

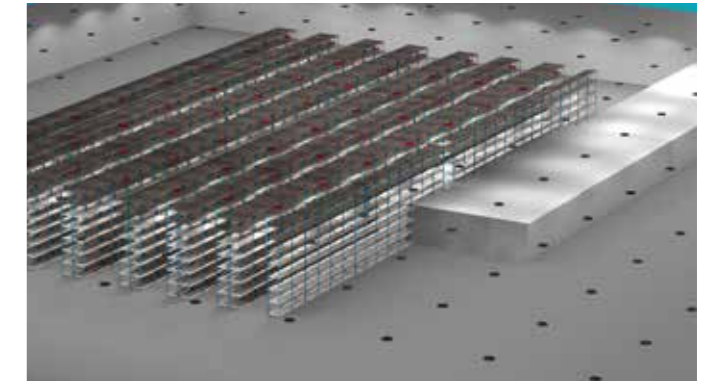
LIGHTING DESIGN SERVICE



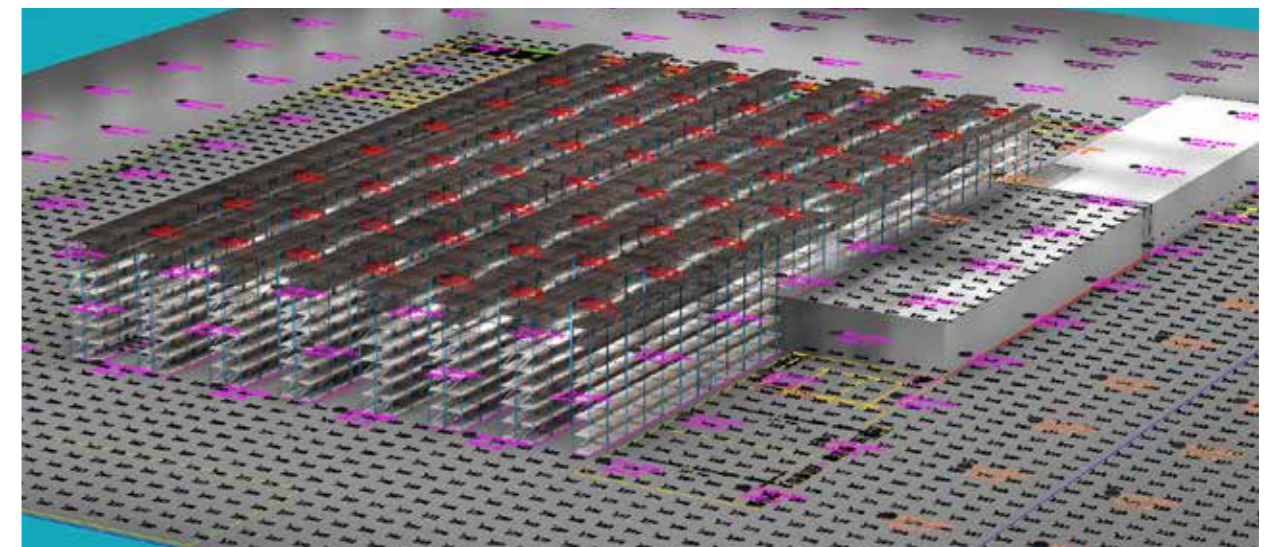
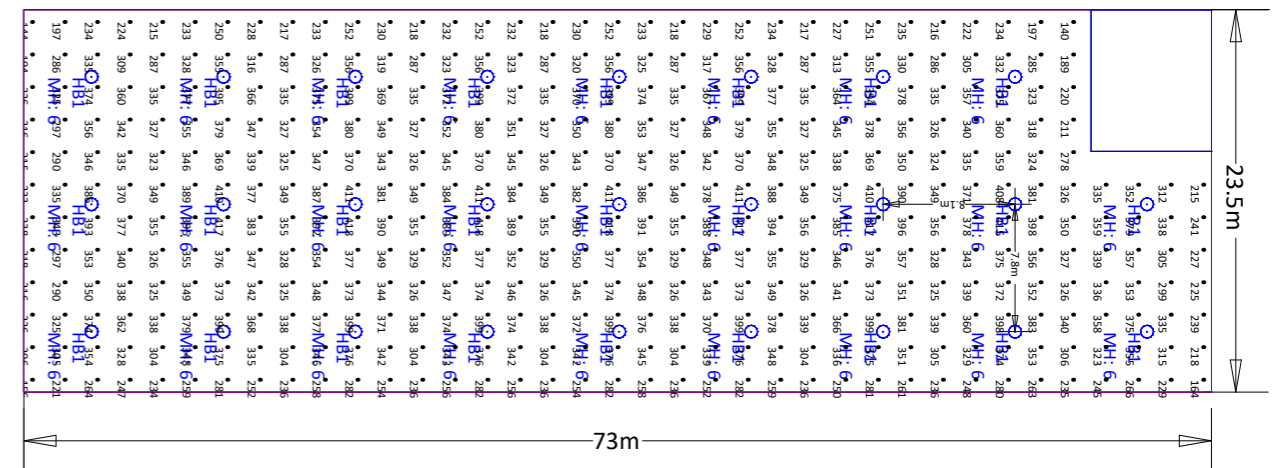
Aqualuma offers a lighting design service to ensure that your conversion to energy efficient lighting maintains or improves your current lighting situation. Aqualuma's vast knowledge in the commercial and industrial sector allows us to best meet and exceed your needs across multiple environments, whilst ensuring your illumination meets relevant applicable regional standards.

Lighting design service offers:

- Design service for new builds
- Design service for retrofit
- Fixture optimisation
- Correct fixture selection for area or project
- 3D renders
- Lux readings point by point
- Isoline graphs
- Average / uniform lux levels across area or project



Point by point lux readings



Check out an excellent selection of marine lighting we offer on our website.