



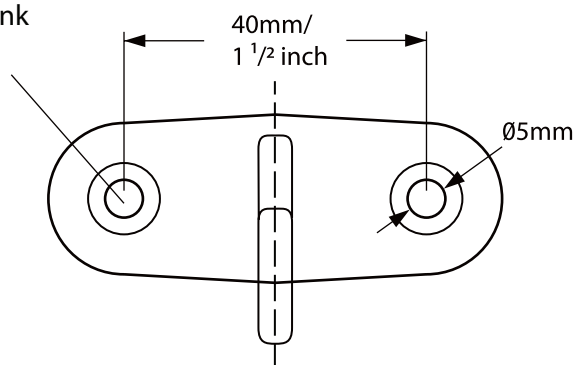
SPREADER LIGHT 12 BRACKET MOUNT

Spreader Light 12 - Bracket Mount Fitting Instructions

1. Determine location of lights.
2. Using template below to mark and drill mounting holes (Drill size $9/64$ or 3.5mm).
3. Using a hand screwdriver and 10 gauge countersunk self tapping screws, add a small amount of sealant around screws and fix bracket to vessel.
4. Connect red wire to (+) and black wire to (-).
5. 12 or 24 Volt DC only.

(Fuse size will be determined by number of lights - allow 2.5 amps per light @ 12 Volts DC)
2 year warranty see website for details.

Drill size $9/64$ or 3.5mm
10 gauge countersunk
self tapping screw





SPREADER LIGHT 12

FLUSH MOUNT

Spreader Light 12 - Flush Mount Fitting Instructions

1. Determine location of lights
2. Using template below mark and cut recess area and drill mounting holes (1/8 drill bit).
3. Using a hand screwdriver and screws provided fix lights to vessel **HAND TIGHTEN ONLY**
4. If not using screws provided please ensure countersink fixing sits flush into housing to ensure correct fitting of bezel

(Fuse size will be determined by number of lights - allow 2.5 amps per light @ 12 Volts DC)
2 year warranty see website for details.

