

# ARKON® MOUNTS

## Product Catalog



Transportation



Construction



Delivery



Agriculture



Trucking



Material Handling

The Tablet Mounting Specialists®

# ARKON MOUNTS PRODUCT CATALOG

Arkon is a leading brand in the mounting solutions community with over 32 years in business. Our mounts, holders, and accessories are sold by resell partners internationally.

We are committed to meeting and exceeding the product needs of consumers and businesses, whether they're on the road, at home, at work, or enjoying the outdoors. We are passionate about providing the highest quality, service, and value to all of our customers and partners.

## FEATURED PRODUCTS

This Product Catalog includes a wide selection of products for enterprise use.



TAB188L22AL



SM6RM023

In addition to our variety of popular tablet mounts, Arkon also offers tablet mounting accessories, including those for:

- heating the tablet in extreme climates
- allowing your tablet to double as a push-to-talk device (compatible with Zello™, Kodiak, and Wave™ Push-To-Talk apps)
- charging the tablet (hardwire and charge port options available)
- securing your tablet to prevent theft

Our wide selection of forklift mounts for both overhead guards and pillars are made with heavy gauge steel construction to last in tough environments, such as construction sites, factories, and warehouses. These products can be found on pages 36-43.

## ARKON ROBUST SERIES

Arkon's extensive Robust Mount Series provides a reliable and tough solution for commercial use. This rugged and durable product line can be used in a variety of settings, including:

- Agriculture
- Aviation
- Commercial Trucking
- Construction
- Material Handling
- Paratransit
- Public Safety
- Taxicabs
- Tow Trucks
- Warehouse



FLBK3885TAB5

Arkon's Robust mounts and adapters are compatible with third-party mounts having the 25mm (1 inch) or 38mm (1.5 inch) ball pattern.

## TABLE OF CONTENTS

Robust 4-Hole AMPS/Drill Base Mounts.....	5-7	38mm Adapters and Shafts .....	25	Suction Mounts .....	59-66
Robust Seat Rail Mounts.....	8-9	Powered Tablet Mounts.....	28-30	Headrest Mounts .....	67-70
Robust Suction Mounts.....	10-12	Locking Tablet Mounts.....	31-32	Clamp/Handlebar Mounts .....	71-84
Robust Cup Holder Mounts.....	13	Locking Tablet Holders.....	33	Other Mounts .....	85-87
Robust Mounts for Cameras & Tripods.....	14-15	Tablet Holders .....	34	Camera & Camera Hot Shoe.....	88
Other Robust Mounts .....	16-17	Forklift Mounts .....	36-43	Video Creation.....	89-96
Robust Security Hardware .....	18	4-Prong Mounts .....	44	Holders.....	97-104
Robust Mount Shafts.....	20	Mobile Printer Mounts.....	45-46	Adapters.....	105-124
25mm Adapters and Shafts.....	22-24	Drill Base Mounts .....	47-52	Index.....	126-127
26mm Adapters and Shaft .....	24	Seat Rail Mounts .....	53-58		



**TABRM2X80**



**XLRM023**




**TAB188L22AL**

# ROBUST MOUNTS

## ARKON'S DOUBLE-BALL ROBUST MOUNTS

Arkon's Robust Mount Series is built tough for commercial and enterprise applications. Made of the highest quality, Robust Mounts last and can endure everyday use as well as extreme weather. Our Robust Mount Series features a modular design, with a full assortment of compatible components. 25mm (1 inch) and 38mm (1.5 inch) components are interchangeable with third-party manufacturer's including Ram® Mounts.

All products in Arkon's Robust Mount Series feature four distinctive components, each working with other parts to provide rugged protection, whether on the road or on the job:



**HOLDER** – Our range of universal device holders help protect and keep your device safe. Holders can be found on pages 33-34 and 98-104.

**ADAPTER** – The ball adapter fits into the Robust Shaft to provide double-ball positioning (along with the base) and a solid connection between the Robust Shaft and holder. Choose the rubber or metal adapter that is compatible with your device's holder. Our assortment of adapters can be found on pages 22-25 and 106-124

**SHAFT** – Arkon's distinctive Robust Shaft facilitates durable heavy-duty double ball adjustment, and is available in both metal and composite in sizes ranging from 2.75 to 8.5 inches. Find out more about our Robust Mount Shafts on page 20.

**BASE** – The mount's base provides stability and versatility, and is available in 4-Hole AMPS or other drill base, suction, seat rail, headrest, clamp/handlebar, cup holder, or other base options. Our selection of rubber and metal mount bases can be found on pages 22-25 and 106-124.

Security options are available for your Robust Mount. See page 18 for our security hardware.

**TABRMAMPS-MET**  
Metal 4-Hole AMPS  
Tablet Mount



**TABRMAMPS**  
4-Hole AMPS  
Tablet Mount



**XLRMAMPSMET**  
RoadVise® XL Metal 4-Hole AMPS  
Phone or Midsize Tablet Mount



**XLRMAMPS**  
RoadVise® XL 4-Hole AMPS Phone or  
Midsize Tablet Mount



**RVAMPS**  
RoadVise® 4-Hole AMPS  
Phone Mount



**RM6AMPS2T**  
Slim-Grip® Ultra™ 4-Hole AMPS Phone  
or Midsize Tablet Mount



**RM6AMPS2T-MET**  
Slim-Grip® Ultra™ Metal 4-Hole AMPS  
Phone or Midsize Tablet Mount



**RMAMPS2517**  
4-Hole AMPS Mount -  
17mm Ball Compatible



# ROBUST DRILL BASE / AMPS MOUNTS

**RMVESAMPS**  
Metal 4-Hole AMPS Mount -  
VESA 75/100 Compatible



**RM2XAMPS-MET-SH**  
Metal 4-Hole AMPS Mount with  
Security Hardware

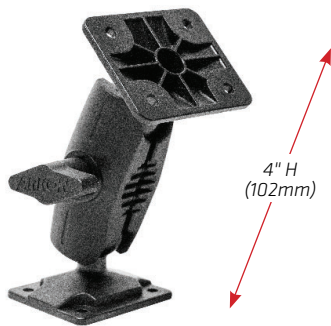


*Also available:*  
**RM2XAMPS-MET**  
Metal 4-Hole  
AMPS Mount

**RM2XCMAMPS25**  
Metal 4-Hole AMPS Mount -  
25mm (1 inch) Ball Compatible



**RMS2XAMPS**  
4-Hole AMPS Mount



**RMS2XAMPS-MET-SH**  
Metal 4-Hole AMPS Mount  
with Security Hardware -  
25mm (1 inch) Ball Compatible



*Also available:*  
**RMS2XAMPS-MET**  
Metal 4-Hole AMPS Mount -  
25mm (1 inch) Ball Compatible

**RM2XCMAMPS38**  
Metal 4-Hole AMPS Mount -  
38mm (1.5 inch) Ball Compatible



**MRM2XAMPS**  
Metal 4-Hole AMPS Mount -  
25mm (1 inch) Ball Compatible



**RM2562XMAMPS**  
Metal 4-Hole AMPS Mount -  
25mm (1 inch) Ball Compatible



**RM382XMAMPSSH**  
Metal 4-Hole AMPS Mount  
with Security Hardware -  
38mm (1.5 inch) Compatible



# ROBUST DRILL BASE / AMPS MOUNTS

## RM382XMAMPS

Metal 4-Hole AMPS Mount -  
38mm (1.5 inch) Ball Compatible



7" H  
(178mm)

## RM38852XMAMPS

Metal 4-Hole AMPS Mount -  
38mm (1.5 inch) Ball Compatible



10.25" H  
(260mm)

## RMAMPS2T-MET

4-Hole AMPS Mount  
with Metal Base



5.25" H  
(133mm)

## RMAMPS2T

4-Hole AMPS Mount



5.25" H  
(133mm)

## RM38352XMAMPS

Metal 4-Hole AMPS Mount -  
38mm (1.5 inch) Ball Compatible



5.4" H  
(137mm)

## RMSAMPS2T

4-Hole AMPS Mount



4" H  
(102mm)

## RMEQUIP

4-Hole AMPS Mount with  
Mounting Plate



5.25" H  
(133mm)

## RM57502XAMPS

Metal 4-Hole AMPS Mount -  
57mm (2.25 inch) Ball Compatible



8" H  
(203mm)

## RM57802XAMPS

Metal 4-Hole AMPS Mount -  
57mm (2.25 inch) Ball Compatible



11" H  
(279mm)

# ROBUST SEAT RAIL MOUNTS

## TAB4RM8825AL

Heavy-Duty Universal Metal Locking Seat Rail or Floor Tablet Mount



Also available:

### TAB48825MM

Universal Metal Locking Seat Rail or Floor Tablet Mount

## TAB5RM8825AL

Heavy-Duty Universal Plastic Locking Seat Rail or Floor Tablet Mount



Also available:

### TAB58825MM

Universal Plastic Locking Seat Rail or Floor Tablet Mount

## TAB1RM8825AL

Heavy-Duty Seat Rail or Floor Tablet Mount



Also available:

### TAB188AMPS2

Seat Rail or Floor Tablet Mount

## XLRM8825AL

RoadVise® XL Seat Rail or Floor Phone or Midsize Tablet Mount



## SM6RM8825AL

Slim-Grip® Ultra™ Heavy-Duty Seat Rail or Floor Phone or Midsize Tablet Mount



Also available:

### SM68825MM

Slim-Grip® Ultra™ Seat Rail or Floor Mount

## SM48825MM

Mega Grip Seat Rail or Floor Phone Mount





# ROBUST SEAT RAIL MOUNTS

## RM88MAMPS

Seat Rail or Floor  
Pedestal - 4-Hole  
AMPS Compatible



AMPS



## RM8825MM2T

Seat Rail or Floor Pedestal -  
Dual T-Tab Compatible



DUAL-T

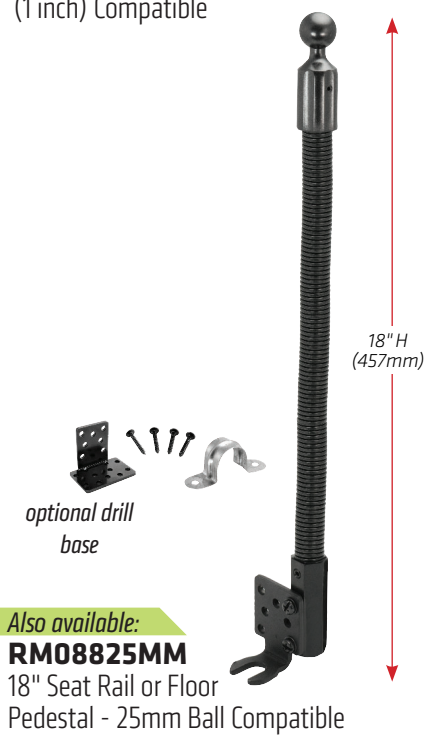


## RM08825AL

Heavy-Duty Seat Rail or Floor  
Pedestal - 25mm Ball  
(1 inch) Compatible



25MM



TAB4RM8825AL

# ROBUST SUCTION MOUNTS

**TABRM079**  
Universal Sticky  
Suction Tablet Mount



**TABRM080**  
Windshield Suction  
Tablet Mount



**TABRM2X80**  
Double 80mm Windshield  
Suction Tablet Mount



**RM60802T**  
Slim-Grip® Ultra™ Windshield Suction  
Phone or Midsize Tablet Mount



**RM179**  
RoadVise® Sticky Suction Mirror  
or Table Phone Mount



**RV180**  
RoadVise® Windshield Suction  
Phone Mount



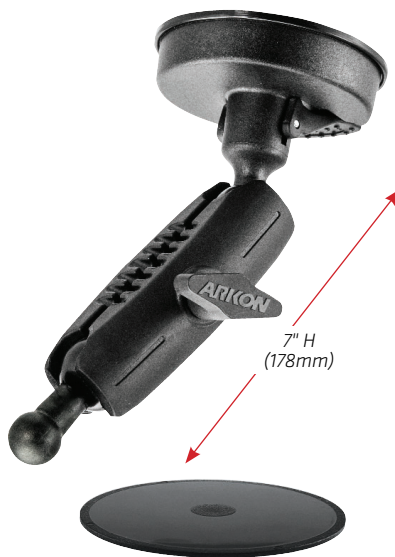
**RM40802T**  
Mega Grip Windshield  
Suction Phone Mount



**RM0792517**  
Sticky Suction  
Pedestal - 17mm  
Ball Compatible



**RM0802517**  
Windshield Suction Mount -  
17mm Ball Compatible



**RM080AMPS-MET**  
Windshield Suction  
Metal AMPS Mount



*Also available:*

**RM080AMPS**  
Windshield Suction  
AMPS Mount

# ROBUST SUCTION MOUNTS

**RM2X80AMPS**  
 Double 80mm Windshield  
 Suction Mount - 4-Hole  
 AMPS Compatible



**RM2X802T**  
 Double 80mm Windshield  
 Suction Mount -  
 Dual-T Compatible



**RM0792TWD**  
 Sticky Suction Mount -  
 Dual-T Compatible



**RMS0792T**  
 Sticky Suction Mount -  
 Dual-T Compatible



**RM0802T**  
 Windshield Suction Mount -  
 Dual T-Tab Compatible



**RM080VESA**  
 Windshield Suction Mount -  
 VESA 75/100 Compatible



# ROBUST CUP HOLDER MOUNTS

## TABRM2X023

Cup Holder Tablet Mount with Double Robust Shafts



## TABRM023

Cup Holder Tablet Mount



## XLRM023

RoadVise® XL Cup Holder Phone or Midsize Tablet Mount



## SM6RM023

Slim-Grip® Ultra™ Cup Holder Phone or Midsize Tablet Mount



## SM4RM023

Mega Grip Cup Holder Phone Mount



## RM0232517

Cup Holder Mount - 17mm Ball Compatible



17MM



## RM023AMPS

Cup Holder Mount - 4-Hole AMPS Compatible



AMPS



## RM0232T

Cup Holder Mount - Dual T-Tab Compatible



DUAL-T



## RM023VESA

Cup Holder Mount - VESA 75/100 Compatible



VESA



## SPRM023

Cup Holder Mount - 25mm Ball Compatible



25MM



Also available:

## SP02320

Robust Cup Holder Mount - 20mm Ball Compatible

Unlike other cup holder mounts that give you multiple size bases to choose from, Arkon's **one-piece mount base** twists to expand to fit cup holders up to 3.5 inches in diameter to fit a variety of car and truck sizes.



# ROBUST MOUNTS FOR CAMERAS & TRIPODS



L to R: Models TABRMTRI, RM0791420, RM0861420

## TABRMTRI Tablet Tripod Mount



Compatible with tripods with 1/4"-20 mounting bolt

Also available:

## TABTRI22 Tablet Tripod Mount - 22mm Compatible

## SM6RMTRI Slim-Grip® Ultra™ Tripod Phone or Midsize Tablet Mount



Compatible with tripods with 1/4"-20 mounting bolt

## RM14202T Tripod Mount - Dual T-Tab Compatible



Compatible with tripods with 1/4"-20 mounting bolt

## RM0791420 Sticky Suction Windshield or Dash Camera Mount



Also available:

## RM0801420 Heavy-Duty Windshield Suction Camera Mount

## RM080CAM Windshield Suction Camera Mount



6.75" H (171mm)

## RM1420RV RoadVise® Phone Mount - 1/4"-20 Pattern Compatible



## RMCPMCAM

Camera Clamp  
Post Mount

- Clamps to handlebars 0.25"-2" diameter
- Clamps to tables 0.2"-1.75" thick
- Two Robust shafts included
- Optional removable security knob



## MC25MM1420

Aluminum Handlebar  
Camera Mount



• For handlebars 0.78"-1.4" (20mm-35mm) dia.

## RM0861420

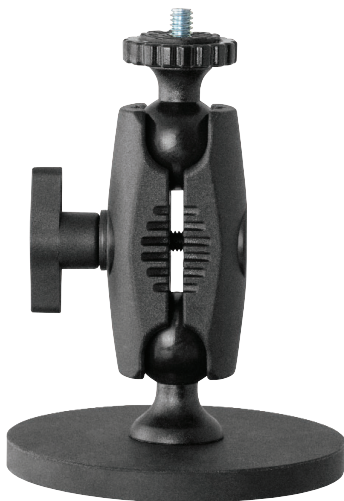
Adjustable Clamp  
Camera Mount



• C-Clamp Opening: 0.25"-2.5" (6mm-64mm)

## RMSMAG1420

Robust Magnetic  
Camera Mount



## RMSAMPS1420

4-Hole AMPS  
Camera Mount



Also available:

## RMAMPS1420

4-Hole AMPS  
Camera Mount (4.5")

## GPRM086

Adjustable Clamp Mount for  
GoPro® Action Cameras



• C-Clamp Opening: 0.25"-2.5" (6mm-64mm)

# OTHER ROBUST MOUNTS

## TABRM086

Tablet Mount with Adjustable C-Clamp Base



• C-Clamp Opening: 0.25"-2.5" (6mm-64mm)

## XLMC25MM

RoadVise® XL Handlebar Phone or Midsize Tablet Mount



• For handlebars 0.78"-1.4" (20mm-35mm) dia.



## RVMC25MM

RoadVise® Handlebar Phone Mount



• For handlebars 0.78"-1.4" (20mm-35mm) dia.

## MC25MM632

Slim-Grip® Ultra™ Handlebar Phone or Midsize Tablet Mount



• For handlebars 0.78"-1.4" (20mm-35mm) dia.

## MC25MM432

Mega Grip Handlebar Phone Mount



• For handlebars 0.78"-1.4" (20mm-35mm) dia.



## RVRMAG

RoadVise Robust Magnetic Phone Mount



## MC25MM17

Aluminum Handlebar Pedestal - 17mm Ball Compatible



• For handlebars 0.78"-1.4" (20mm-35mm) dia.

## RMHM4AMPS

Headrest Mount Pedestal - 4-Hole AMPS Compatible



## RM0862T

Heavy-Duty Clamp Pedestal with 4" Arm - Dual-T Compatible



• C-Clamp Opening: 0.5"-2.5" (13mm-64mm)

## MC25MM2T

Aluminum Handlebar Pedestal - Dual-T Compatible



• For handlebars 0.78"-1.4" (20mm-35mm) dia.

## RMVHB2T

VHB Adhesive Pedestal - Dual-T Compatible



# ROBUST SECURITY HARDWARE

## Lock It Up

Arkon's Robust Mount Shafts can be converted to accommodate environments needing a secure solution. The shaft's knob can be removed and replaced with a screw that requires a hex key or other tool to install. This simple but effective substitution deters theft and provides a clean solution for your mount.



### STEP 1:



Unscrew the Robust knob and remove the existing bolt.

### STEP 2:



Replace with socket head/bolt.

### STEP 3:



Tighten with Allen Key/Hex Bit.

### SP-RMSH-KIT

Security Kit for 25mm Robust Shafts

#### Includes:

- 40mm Socket Head
- Zinc Nut
- Allen Key

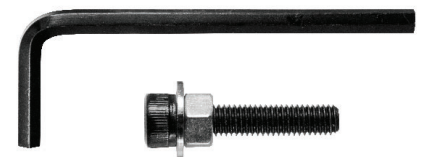


### SP-RMSH30-KIT

Robust Mount Security Hardware Kit with 30mm Socket Head

#### Includes:

- 30mm Socket Head
- Zinc Nut
- Washer
- Allen Key

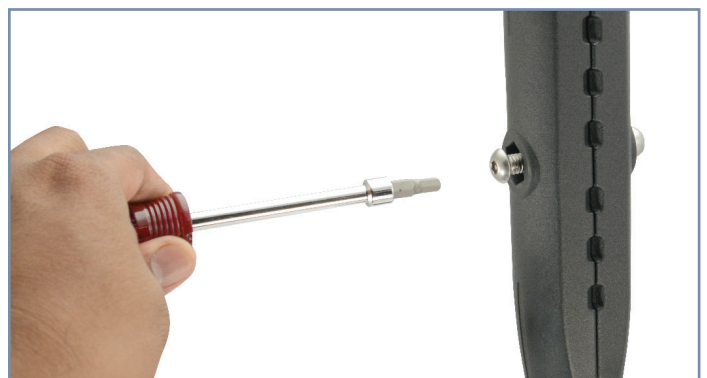
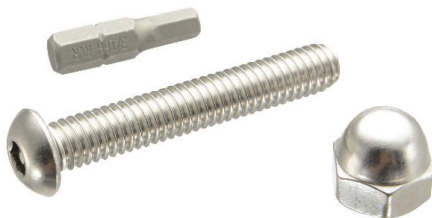


### SPRMSH38KIT

Security Kit for 38mm Robust Shafts

#### Includes:

- Acorn Nut
- Bolt
- Hex Bit



# ROBUST MOUNT COMPONENTS



# ROBUST MOUNT SHAFTS

## SP-RM250

Composite Robust Mount Shaft - Compatible with 25mm (1 inch) Ball Components



## SP-RMS250

Composite Small Robust Mount Shaft - Compatible with 25mm (1 inch) Ball Components



## SPRMET-B

Metal Robust Mount Shaft - Compatible with 25mm (1 inch) Ball Components



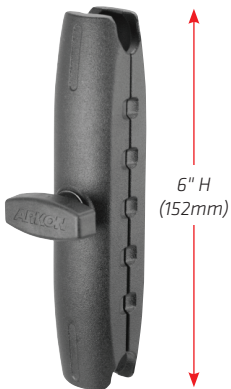
## SPRMSMET-B

Small Metal Robust Mount Shaft - Compatible with 25mm (1 inch) Ball Components



## SPRM256B

Metal Robust Mount Shaft - Compatible with 25mm (1 inch) Ball Components



## SPRM3885

Metal Robust Mount Shaft - Compatible with 38mm (1.5 inch) Ball Components



## SPRM38MM

Metal Robust Mount Shaft - Compatible with 38mm (1.5 inch) Ball Components



## SPRM3835B

Composite Robust Mount Shaft - Compatible with 38mm (1.5 inch) Ball Components

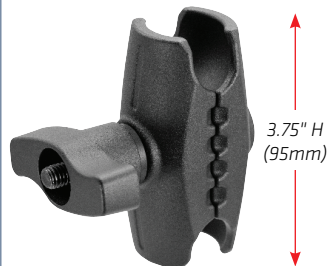


## Arkon Mounts are Compatible with Your Existing Mounts

Arkon's Robust Series Mounts, Shafts, and Adapters are compatible with those made by third-party manufacturers, including HiNT Mounts™, PanaVise®, and Ram® Mounts. Our 25mm (1 inch), 26mm (1.02 inch), and 38mm (1.5 inch) components can be used in conjunction with existing pedestals and bases. Even if your fleet already has mounts in place, Arkon Mounts can help with replacement parts or upgrades. Our unique mix-and-match modular products provide an incredible amount of flexibility and are of the highest quality—backed by our 2-year limited warranty.

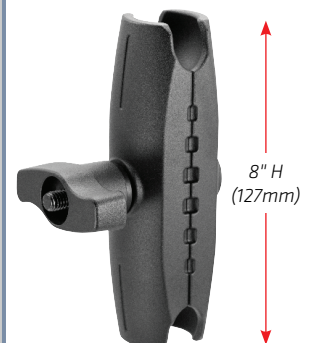
## SPRMSM5750

Metal Robust Mount Shaft - Compatible with 57mm (2.25 inch) Ball Components



## SPRM5780

Metal Robust Mount Shaft - Compatible with 57mm (2.25 inch) Ball Components



## Guide to Arkon Robust Adapter Plates and Spare Parts



### Dual T-Tab Adapters

Dual T-Tab adapter plates and spare parts feature double male T-shaped tabs that fit into Dual T-Slot adapters and device holders.



### 4-Hole AMPS Adapters

AMPS pattern adapter plates and spare parts are compatible with selected vehicle-specific mounts (VSMs), cameras, GPS devices, audio/video receivers, or satellite radios.



### VESA Pattern Adapters

Arkon's VESA pattern adapters include both VESA 75 (75mm x 75mm) and VESA 100 (100mm x 100mm) patterns.



### 17mm (.67 inch) Ball Adapters

17mm ball adapter plates and spare parts are compatible with selected Garmin nüvi devices having the 17mm swivel ball mounting pattern.



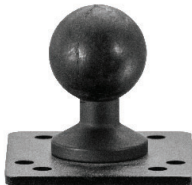
### 20mm (.79 inch) Ball Adapters

20mm ball adapters and spare parts are compatible with Arkon's Heavy-Duty Mounts, including Models HD001, HD002, HD003, HD004, HD005, HD006, HD008, and HD010.



### 25mm Ball (1 inch) Adapters

25mm ball adapters are compatible with Arkon Robust Mounts, RAM® Mounts and other third-party 25mm ball pattern mounts.



### 26mm (1.02 inch) Ball Adapters

26mm ball adapters are compatible with products made by various third-party manufacturers.



### 38mm (1.5 inch) Ball Adapters

38mm ball adapters are compatible with 1.5 inch RAM® Mounts and other third-party mounts.



### Camera Bolt Adapters

Adapters featuring a camera pattern are compatible with tripods or other devices having a 1/4"-20 mounting bolt.



### GoPro® Adapters

Arkon adapters for GoPro® action cameras feature the lateral screw pattern used by all GoPro® models.



### Adhesive Adapters

Adhesive adapters feature both 3M semi-permanent (blue and white backing) and permanent (red backing) solutions.



### Magnet Mount Adapters

Adapters for magnet mounts feature rare earth magnets.

# 25MM SPARE PARTS AND ADAPTERS

## APMAMPS25MM

4-Hole Metal AMPS to 25mm (1 inch) Ball Adapter



## APAMPS25MM

4-Hole AMPS to 25mm (1 inch) Ball Adapter



## APCMAMPS25

Circular Metal 25mm (1 inch) Ball to 4-Hole AMPS Adapter



2.44" Dia.  
(62mm)

## APD2MAMPS25

Diamond-Shaped Metal 25mm (1 inch) Ball to 2-Hole AMPS Compatible Adapter



## SP25MM25

25mm (1 inch) Ball to 25mm Ball Adapter - Metal Connector



## SP25MMPL

25mm (1 inch) Ball to 25mm Ball Adapter - Plastic Connector



## SP20MM25

20mm Metal Ball to 25mm (1 inch) Ball Adapter



## SP25MM17

25mm (1 inch) Ball to 17mm Ball Adapter



## SPBASE25MM

90mm Windshield Suction Base with Metal 25mm (1 inch) Ball



## SPRM080

80mm Windshield Suction Base to 25mm (1 inch) Ball



## SPRM079

80mm Sticky Suction Base to 25mm (1 inch) Ball



# 25MM SPARE PARTS AND ADAPTERS

## SP25EXT2510

25mm (1 inch) Ball to 25mm Ball Extension Rod - 10 inch



## SP142025MM

1/4"-20 Threaded Camera Pattern to 25mm (1 inch) Ball Adapter



## SP25MMCAM

25mm (1 inch) Ball to 1/4"-20 Camera Bolt Adapter



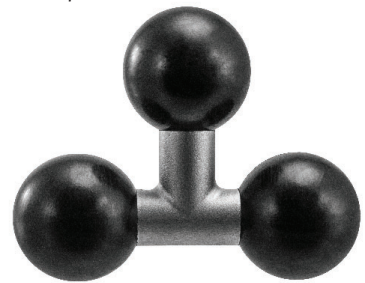
## SP25MMGP

25mm (1 inch) Ball to GoPro® Lateral Screw Adapter



## APT325MM

Triple 25mm (1 inch) Ball Adapter



## SP25MMCLAMP

25mm (1 inch) Ball to C-Clamp Adapter



• C-Clamp Opening: 0.25"-1.62" (6.4mm-41.3mm)

## SPCLAMP25MM

25mm (1 inch) Ball to C-Clamp Adapter



• C-Clamp Opening: 0.43"-2.51" (11mm-64mm)

## SP-VHB25MM

70mm Flexible VHB Adhesive Base to 25mm (1 inch) Ball Adapter



# 25MM & 26MM SPARE PARTS AND ADAPTERS

## SP1420MAG25

Magnetic Base with 25mm (1 inch) Ball Adapter



2.55" Dia.  
(65mm)

## AP25MMVESA

VESA 75 / VESA 100 to 25mm (1 inch) Ball Mount Bracket Adapter



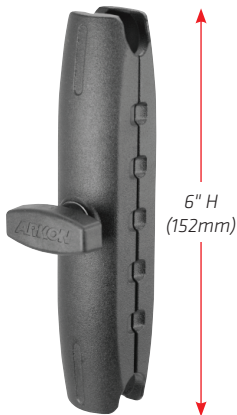
## APRM2T

25mm (1 inch) Ball to Dual T-Tab Adapter



## SPRM256B

Metal Robust Mount Shaft - Compatible with 25mm (1 inch) Ball Components



6" H  
(152mm)

## SPRMET-B

Metal Robust Mount Shaft - Compatible with 25mm (1 inch) Ball Components



3.75" H  
(95mm)

## SP-RM250

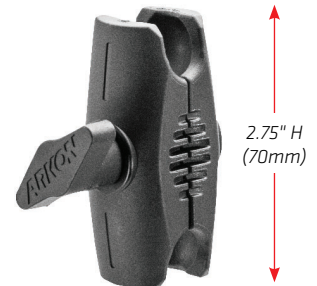
Composite Robust Mount Shaft - Compatible with 25mm (1 inch) Ball Components



3.75" H  
(95mm)

## SP-RMS250

Composite Robust Mount Shaft - Compatible with 25mm (1 inch) Ball Components



2.75" H  
(70mm)

## SPRMSMET-B

Metal Robust Mount Shaft - Compatible with 25mm (1 inch) Ball Components



2.75" H  
(127mm)

## HM00425MM

Headrest Clamp Base - 25mm (1 inch) Ball Compatible



## APAMPS26MM

4-Hole Metal AMPS to 26mm (1.02 inch) Ball Adapter





# 38MM & 57MM SPARE PARTS AND ADAPTERS

## SPCLAMP38MM

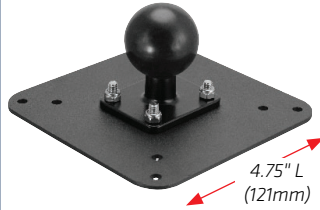
38mm (1.5 inch) Ball to C-Clamp Adapter



• C-Clamp Opening: 0.43"-2.51" (11mm-64mm)

## AP38MMVESA

38mm (1.5 inch) Ball to VESA 75 / VESA 100 Adapter



## APCMAMPS38

Circular Metal 38mm (1.5 inch) Ball to 4-Hole AMPS Adapter



2.49" Dia. (63.29mm)

## APMAMPS38MM

4-Hole Metal AMPS to 38mm (1.5 inch) Ball Adapter



## SPRM3885

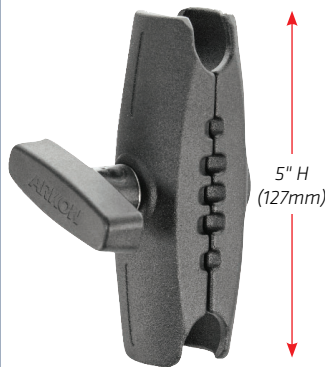
Metal Robust Mount Shaft - Compatible with 38mm (1.5 inch) Ball Components



8.5" H (215mm)

## SPRM38MM

Metal Robust Mount Shaft - Compatible with 38mm (1.5 inch) Ball Components



5" H (127mm)

## SPRM3835

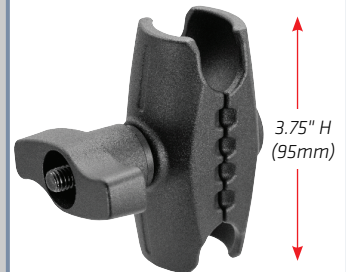
Composite Robust Mount Shaft - Compatible with 38mm (1.5 inch) Ball Components



3.5" H (88mm)

## SPRMSM5750

Metal Robust Mount Shaft - Compatible with 57mm (2.25 inch) Ball Components



3.75" H (95mm)

## SPRM5780

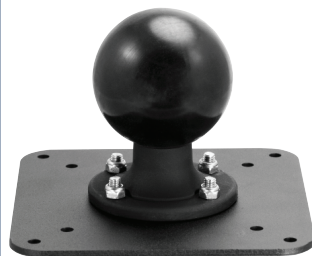
Metal Robust Mount Shaft - Compatible with 57mm (2.25 inch) Ball Components



8" H (127mm)

## AP57MMVESA

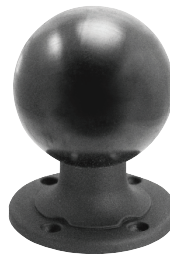
57mm (2.25 inch) Ball to VESA 75 / VESA 100 Adapter



4.75" L (121mm)

## APCMAMPS57

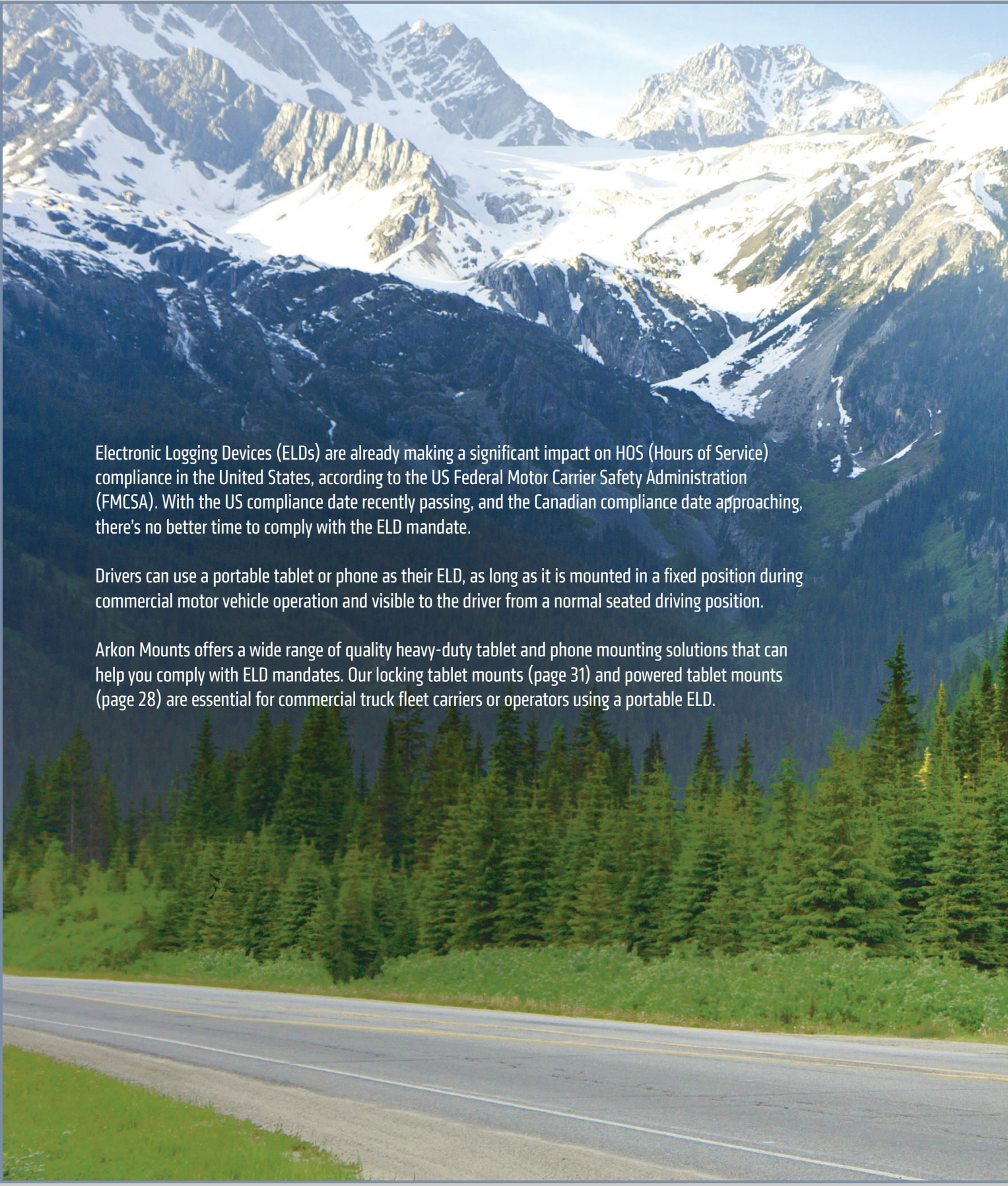
Circular Aluminum 57mm (2.25 inch) Ball to 4 Hole AMPS Adapter



## APCM57MM

Circular Aluminum 57mm (2.25 inch) Ball to 5-Hole Drill Base Adapter





Electronic Logging Devices (ELDs) are already making a significant impact on HOS (Hours of Service) compliance in the United States, according to the US Federal Motor Carrier Safety Administration (FMCSA). With the US compliance date recently passing, and the Canadian compliance date approaching, there's no better time to comply with the ELD mandate.

Drivers can use a portable tablet or phone as their ELD, as long as it is mounted in a fixed position during commercial motor vehicle operation and visible to the driver from a normal seated driving position.

Arkon Mounts offers a wide range of quality heavy-duty tablet and phone mounting solutions that can help you comply with ELD mandates. Our locking tablet mounts (page 31) and powered tablet mounts (page 28) are essential for commercial truck fleet carriers or operators using a portable ELD.



# POWERED TABLET MOUNTS

## LB2000C

GPSLOCKBOX Mount for Samsung Tab A 8.0

### Includes:

- Lockbox and case with keys
- Hardwire 2.4A charger
- Quick Connect magnetic charging insert module



keys included

Also available:

## LB1000C

GPSLOCKBOX Mount for Samsung Tab E 8.0

## LBT307U

Charging Lockbox Tablet Bundle for Samsung Galaxy Tab A T307 and T387

### Includes:

- Lockbox and case with keys
- Hardwire 2.4A charger
- Quick Connect magnetic charging insert module

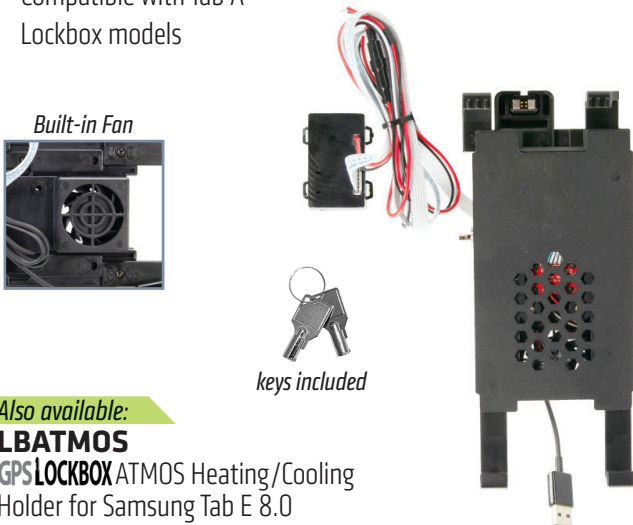


keys included

## LBATMOSA

GPSLOCKBOX ATMOS Heating/Cooling Holder for Samsung Tab A 8.0

- Temperature regulation system for vehicle-mounted tablets
- Maintains tablet battery temperature at 50-80 degrees
- Compatible with Tab A Lockbox models



Built-in Fan

keys included

Also available:

## LBATMOS

GPSLOCKBOX ATMOS Heating/Cooling Holder for Samsung Tab E 8.0

## LBAMPSPKR

GPSLOCKBOX Push-to-Talk Amplified Speaker for Samsung Tab A 8.0 and Tab E 8.0

- Optional add-on allows tablet to double as push-to-talk device
- Compatible with Tab E and Tab A Lockbox models





**LB2000C**

**LBARM8825AL**

Heavy-Duty Aluminum Seat Rail or Floor Tablet Mount for Samsung Tab A

- Lockbox and case with keys
- Hardwire 2.4A charger
- Quick Connect magnetic charging insert module
- Security hardware
- Flexible 21.25" seat rail floor mount



21.25" H  
(540mm)



# POWERED TABLET MOUNTS

## TAB42AMPSMC

Locking Tablet Mount with Magnetic USB Type C Charge Cable

- Lockbox and case with keys
- Hardwire 2.4A charger
- Quick Connect magnetic charging insert module
- Security hardware



## TAB42AMPSML

Locking Tablet Mount with Magnetic Apple Lightning Charge Cable

- Lockbox and case with keys
- Hardwire 2.4A charger
- Quick Connect magnetic charging insert module
- Security hardware



## TAB42AMPSMM

Locking Tablet Mount with Magnetic Micro USB Charge Cable

- Lockbox and case with keys
- Hardwire 2.4A charger
- Quick Connect magnetic charging insert module
- Security hardware



Also available:

## TAB42AMPSUSB

Universal Metal Locking Tablet Mount with 4-Hole Metal AMPS Base

keys included

## TAB4METKL

Universal Metal Locking Tablet Mount with 4-Hole Metal AMPS Base

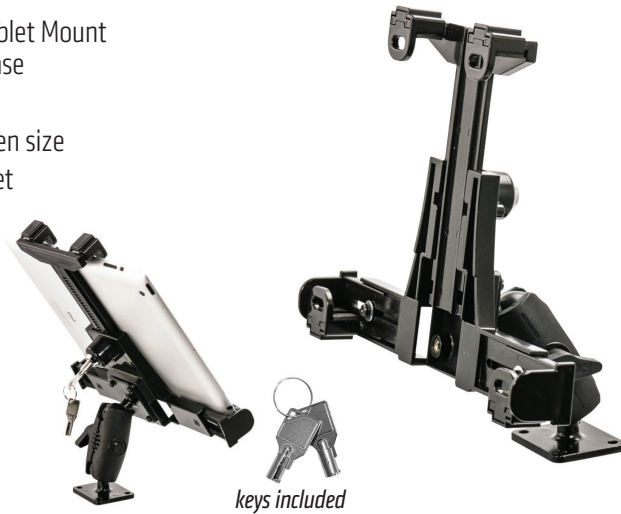
- Fits tablets 7"-10" screen size
- Included keys secure tablet
- 4-Hole AMPS drill base



## TAB5METKL

Universal Plastic Locking Tablet Mount with 4-Hole Metal AMPS Base

- Fits tablets 7" to 10" screen size
- Included keys secure tablet
- 4-Hole AMPS drill base



## TAB4XLMETKL

Extra-Large Universal Locking Tablet Mount with Key Lock

- Fits tablets 10" - 12.9" screen size
- Included keys secure tablet
- 4-Hole AMPS drill base



# LOCKING TABLET MOUNTS

## TAB4RMSHM4

Locking Metal Headrest Tablet Mount

- Fits tablets 7"-10" screen size
- Attaches onto most 2-post style headrests
- Security hardware kit included



## TAB5RMSHM4

Plastic Locking Headrest Tablet Mount

- Attaches onto most 2-post style headrests
- Security hardware kit included



## TAB4RM8825AL

Heavy-Duty Universal Metal Locking Seat Rail or Floor Tablet Mount

- Optional floor brackets included for drilling into vehicle floor
- Security hardware kit included



Also available:

### TAB48825MM

Universal Metal Locking Seat Rail or Floor Tablet Mount

## TAB5RM8825AL

Heavy-Duty Universal Locking Seat Rail or Floor Tablet Mount

- Fits tablets up to 10" screen size
- Included keys secure tablet
- 4-Hole AMPS drill base



Also available:

### TAB58825MM

Universal Locking Seat Rail or Floor Tablet Mount



## TAB004KL

Universal Metal Locking Tablet Holder with Key Lock – 4-Hole AMPS Compatible

- Fits tablets with 7"-10" screen size
- Fully adjustable with key lock (2 keys included)
- Made of aluminum
- Multiple horizontal and vertical adjustment points along both sides of the holder

**Device width minimum: 7.75" (197mm)**  
**Device width maximum: 10.25" (260mm)**  
**Device height minimum: 4.5" (114mm)**  
**Device height maximum: 8.25" (219mm)**  
**Device depth: .9" (22mm)**



## TAB4XLKL-B

Extra-Large Universal Metal Locking Tablet Holder with Key Lock – 4-Hole AMPS Compatible

- Compatible with tablets 10"-12.9" screen size
- Fully adjustable with key lock (2 keys included)
- Made of aluminum
- Multiple horizontal and vertical adjustment points along both sides of the holder

**Device height maximum: 9.75" (247mm)**  
**Device height minimum: 5.75" (127mm)**  
**Device width maximum: 12.25" (311mm)**  
**Device width minimum: 9.9" (251mm)**  
**Device depth: .9" (22mm)**



## TAB005KL-B

Universal Plastic Locking Tablet Holder with Key Lock – 4-Hole AMPS Compatible

- Fits tablets with 7"-10" screen size
- Fully adjustable with key lock (2 keys included)
- Made of durable plastic

**Device height minimum: 4.12" (104mm)**  
**Device height maximum: 7.75" (196mm)**  
**Device width minimum: 7.37" (187mm)**  
**Device width maximum: 11.75" (298mm)**  
**Device depth minimum: .75" (19mm)**  
**Device depth maximum: 0.8" (20mm)**



# LOCKING PHONE MOUNTS

## SM090

Heavy-Duty Plastic Locking Phone Holder

- Fits tablets up to 10" screen size
- Included keys secure tablet
- 4-Hole AMPS drill base



## SM923

Plastic Locking Phone Cup Holder Mount

- Fits tablets up to 10"
- Included keys secure tablet
- 4-Hole AMPS drill base



## SM9RSMAMPS

Plastic Locking 4-Hole AMPS Phone Mount

- Fits tablets up to 10" screen size
- Included keys secure tablet



## SM9HD6

Multi-Angle Plastic Locking 4-Hole AMPS Phone Mount

- Fits tablets up to 10" screen size
- Included keys secure tablet



## SM9RM88AMPS

Plastic Locking Seat Rail or Floor Phone Mount

- Fits tablets up to 10" screen
- Included keys secure tablet



German mount company Herbert Richter (HR) recently closed their doors. HR was responsible for the iGRIP 4-Prong mounting pattern, which was very popular in the early 2000s. More recently, the sales of HR products have been on the decline, but this closure may represent an opportunity to sell our high-quality mounts to any existing Herbert Richter iGRIP customers.

The 4-Prong products on this page represent only some of the mounts that can be created with Arkon's unique mix-and-match product line. With the 4-Prong adapters found on pages 114-116 (and footnoted below), many of our products can be converted to a 4-Prong iGRIP compatible mount.