



SP-SB-GPLAT



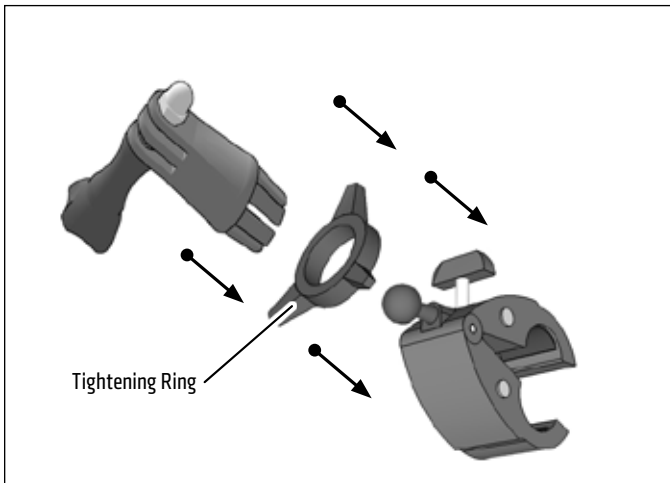
GN031-B

Package Contents:

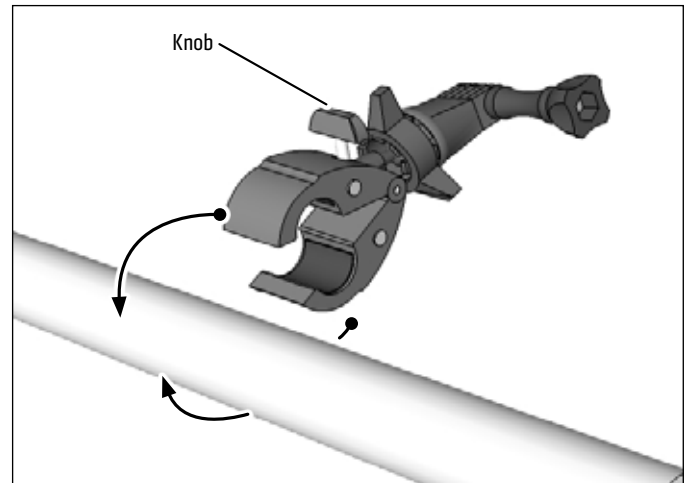
- (1) GN031-B – Clamp Post Mount with 17mm Ball
- (1) SP-SB-GPLAT – SBH Adapter Head for GoPro Cameras

IMPORTANT: Do not overtighten ring. Overtightening ring may damage threads on holder and also make it difficult to adjust holder.

- 1** Attach adapter to mount by placing adjustment ring over the 17mm ball, snapping the adapter onto the ball and then tightening the ring.



- 2** Unscrew mount's knob to loosen grip. Place the mount around pole as desired, then retighten knob to secure.



- 3** Remove screw from the adapter's 3-prong bracket and insert GoPro camera. Re-insert screw and tighten to secure.



Safety Precautions

Arkon is not responsible for any damages caused to your device or yourself due to the installation or use of this mount.

ARKON
RESOURCES INC. *The Mobile Mounting Specialists™*