



Package Contents:

HD006 – Multi-Angle Drill-Base Mounting Pedestal with 8" Adjustable Arm

SP-20MCAM – 20mm Ball to 1/4"-20 Camera Screw Mount Adapter

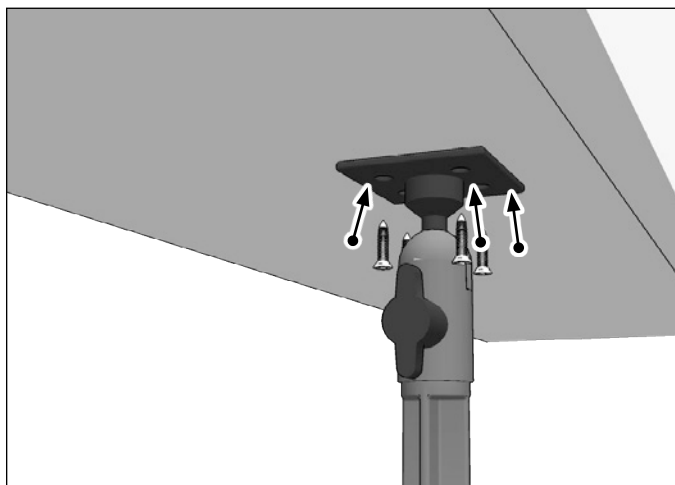
SP-1420-SCREW – 1/4"-20 to GoPro® HERO® Mount Connection Adapter

Device Compatibility:

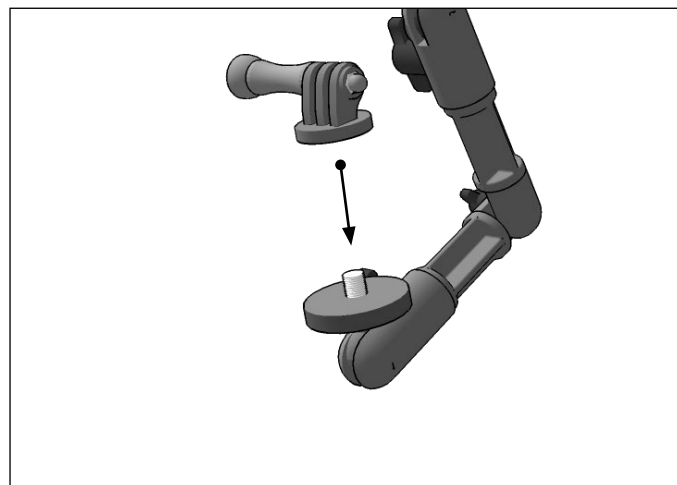
Compatible with GoPro® HERO® action cameras, as well as 1/4"-20 compatible cameras.

IMPORTANT: Drilling into a vehicle dash or console is a permanent installation and will cause damage to the mounting surface. Use caution and consult an installation professional to avoid drilling into the gas tank, electrical system or other highly sensitive vehicle components.

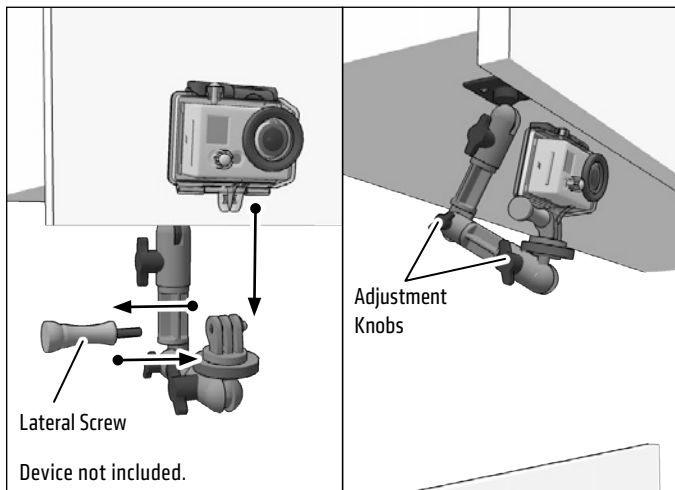
- Using a drill or screwdriver, screw the mount onto surface using appropriate mounting screws (not included, sold separately). Anchors (not included) may be necessary for some surfaces.



- Screw the included 1/4"-20 to GoPro HERO Adapter onto the mounting bolt.



- Unscrew lateral screw and insert GoPro HERO (sold separately) to the adapter. Re-insert lateral screw. Loosen adjustment knobs to set pedestal to desired position, then retighten.



GoPro® and HERO® are trademarks or registered trademarks of Woodman Labs, Inc. in the United States and other countries. Arkon Resources, Inc. is not affiliated with Woodman Labs.

! Safety Precautions

Arkon is not responsible for any damages caused to your device or yourself due to the installation or use of this mount.

ARKON
RESOURCES INC. The Mobile Mounting Specialists™