



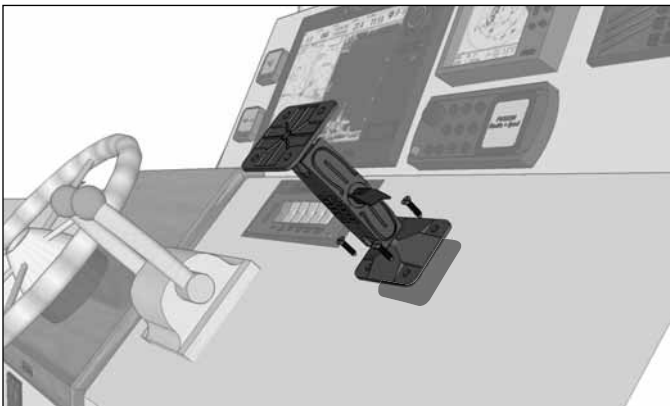
Package Contents:

- (1) APEQUIP – Metal Equipment Mounting Plate
- (1) RM2XAMPS – Robust Series 4-Hole AMPS Mounting Pedestal with 4-Hole AMPS Head

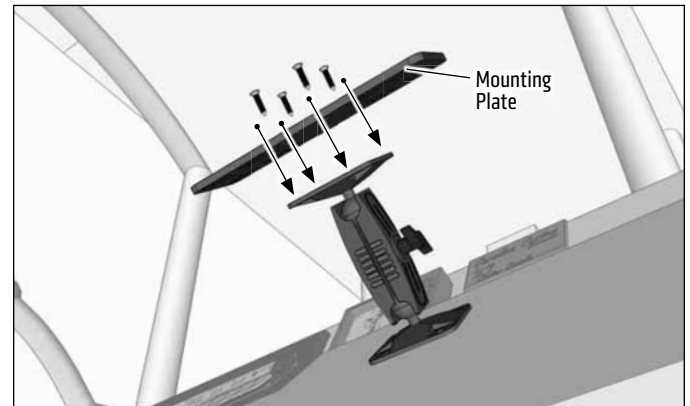
Optional: Attach other various accessories to RMEQUIP, including batteries, CB radios, and audio receivers. The plate can also be used as a splitter plate.

NOTE: 4 center holes are recessed and in 4-hole AMPS pattern; spaced at 30.17mm x 38.05mm (measured as the center-to-center distance between holes)

- 1 Attach the pedestal to the mounting surface through the AMPS base plate. Choose the screws (not included) that will work best on the chosen mounting surface.



- 2 Using a screwdriver and/or drill, attach the mounting plate to the pedestal using 4 bolts (not included).



- 3 Attach your electronic fishfinder or other marine radio to the mounting plate through the AMPS base plate. Choose the screws (not included) that will work best to mount your device.

