



5" Waterproof Speaker

MS5006W



PRODUCT FEATURES

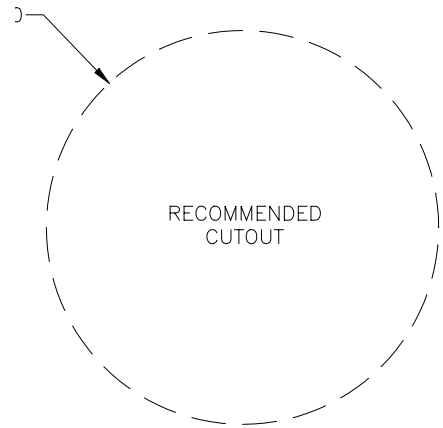
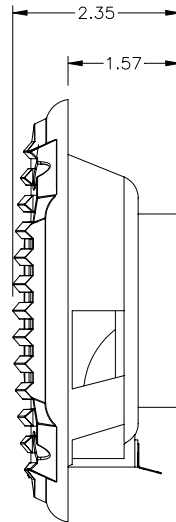
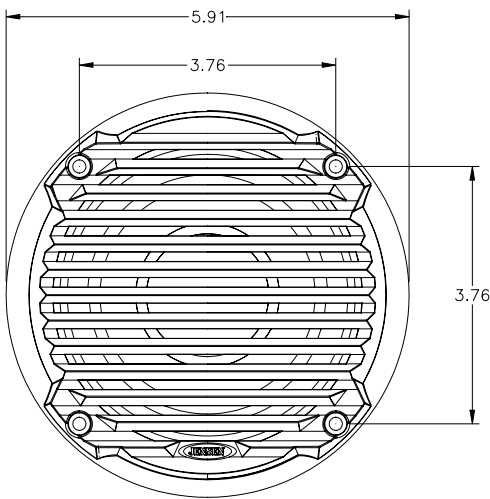
- Max power handling: 30 watts
- Waterproof
- Sensitivity: 91dB
- Frequency: 79Hz-20kHz
- Nominal impedance: 4 Ohms
- Polypropylene cloth woofer cone: 5.25"
- Magnet: 2.9 oz.
- Mounting hole diameter: 4.5"
- Mounting depth: 1.5"
- Tweeter type: Whizzer
- Tweeter material: Mylar
- One-piece molded chassis with integrated drip-edge
- Corrosion resistant finishes/materials (ASTM B117)
- UV resistant finishes/materials (ASTM D4329)

asa
ELECTRONICS™

DESIGNED TO MOVE [YOU]™



5" Waterproof Speaker MS5006W



General Specifications:

Woofer Size	5"	
Woofer Material	Grey PP cloth surround	
Tweeter Type	Whizzer Cone	
Tweeter Material	Mylar	
Voice Coil Size	3/4"	
Magnet Weight	2.9oz	
Mounting Depth	1.57"	
Hole Size	4 1/2"	
Impedance	4 Ohms	
Temperature Range	-30°C - 70°C	-22°F - 158°F
Max RH	100%	
Terminal Size	Positive - 1/4"	Negative - 1/5"

Performance Specifications:

Frequency Response	79 Hz – 20 KHz
RMS Power Range	12W
Max Input Power	30W



5.25" Waterproof Speaker [MS5006W]



KEY FEATURES:

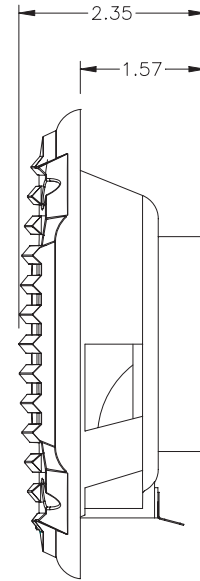
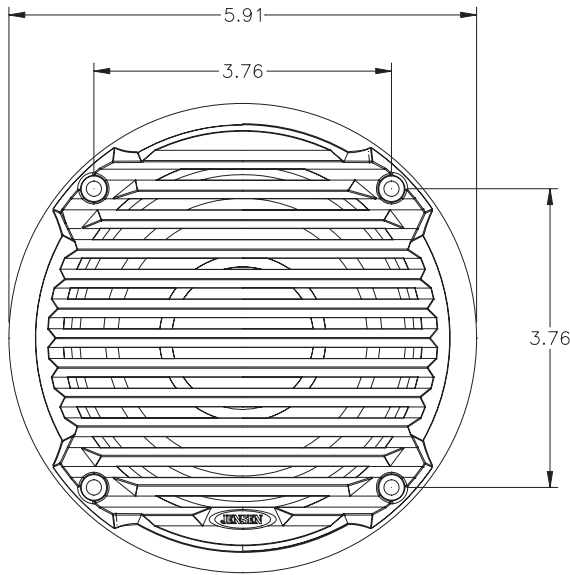
- Max power handling: 30 watts
- Waterproof
- Sensitivity: 91dB
- Frequency: 79Hz-20kHz
- Nominal impedance: 4 Ohms
- Polypropylene cloth woofer cone: 5.25"
- Magnet: 2.9 oz.
- Mounting hole diameter: 4.5"
- Mounting depth: 1.5"
- Tweeter type: Whizzer
- Tweeter material: Mylar
- One-piece molded chassis with integrated drip-edge
- Corrosion resistant finishes/materials (ASTM B117)
- UV resistant finishes/materials (ASTM D4329)



MARINE CERTIFIED



5.25" Waterproof Speakers [MS5006W]



Specifications:

General Specifications:

Woofer Size	5.25"	
Woofer Material	Grey PP cloth surround	
Tweeter Type	Whizzer Cone	
Tweeter Material	Mylar	
Voice Coil Size	3/4"	
Magnet Weight	2.9oz	
Mounting Depth	1.57"	
Hole Size	4 1/2"	
Impedance	4 Ohms	
Temperature Range	-30°C - 70°C	-22°F - 158°F
Max RH	100%	
Terminal Size	Positive - 1/4"	Negative - 1/5"

Performance Specifications:

Frequency Response	79 Hz – 20 KHz	
RMS Power Range	12W	
Max Input Power	30W	

Features and specifications subject to change without notice.

If you're looking for quality marine audio, visit our website.