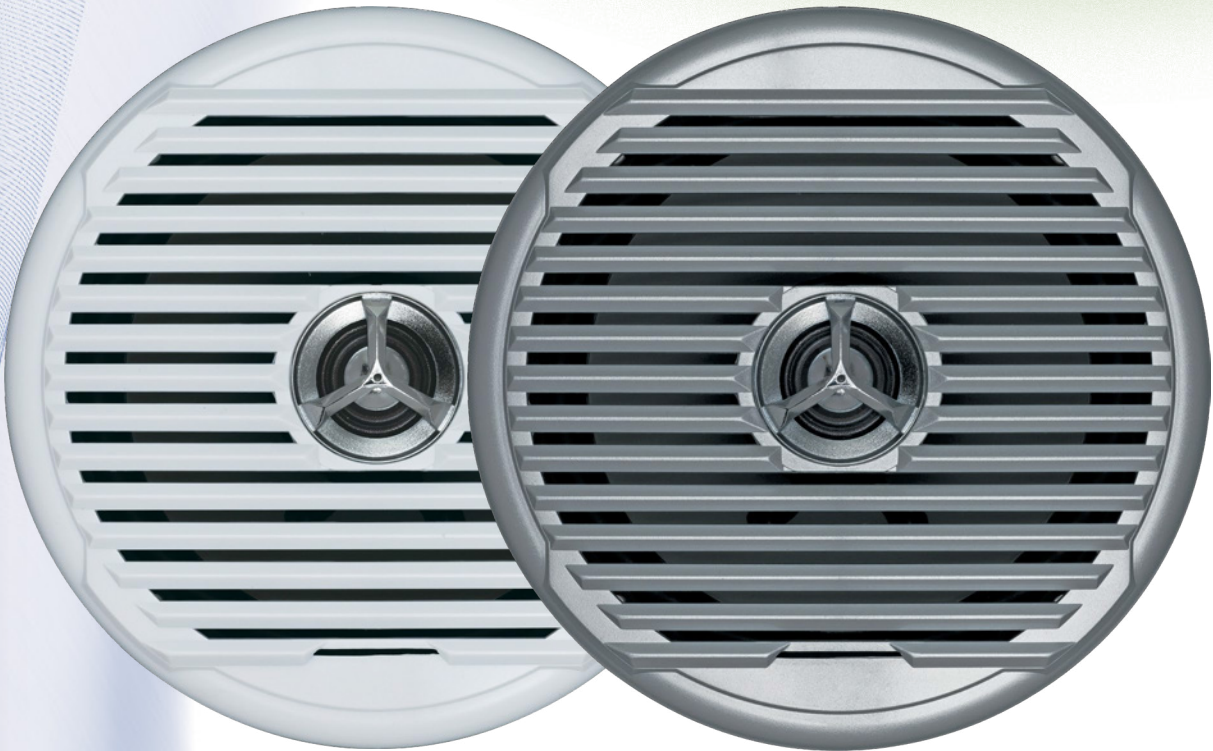




6.5" Coaxial Waterproof Speaker

MSX65R



FEATURES:

- 150 watts max
- 65 HZ – 20 KHZ usable frequency response
- Rubber suspension and surround
- Poly-propylene woofer
- Dome/silk tweeter
- 1-inch voice coil
- 11 oz magnet
- 4 ohms impedance
- Flush mount
- 2.3-inch mounting depth
- Magnetically shielded
- UV resistant (ASTM D4329)
- Corosion resistant (ASTM B117)
- Aavailable in white or silver

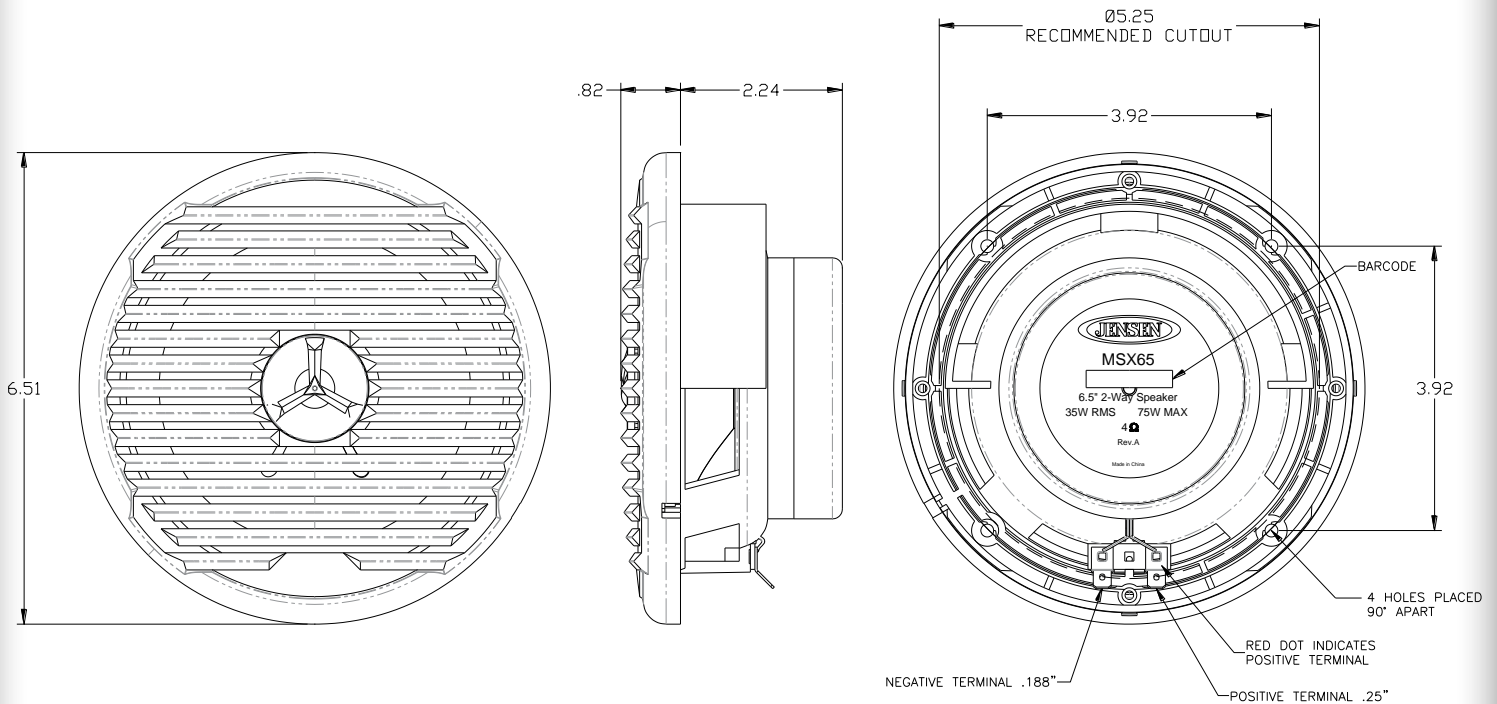
DESIGNED TO MOVE [YOU]TM

asa
ELECTRONICS™



6.5" Coaxial Waterproof Speaker

MSX65R



Specifications:

General Specifications:

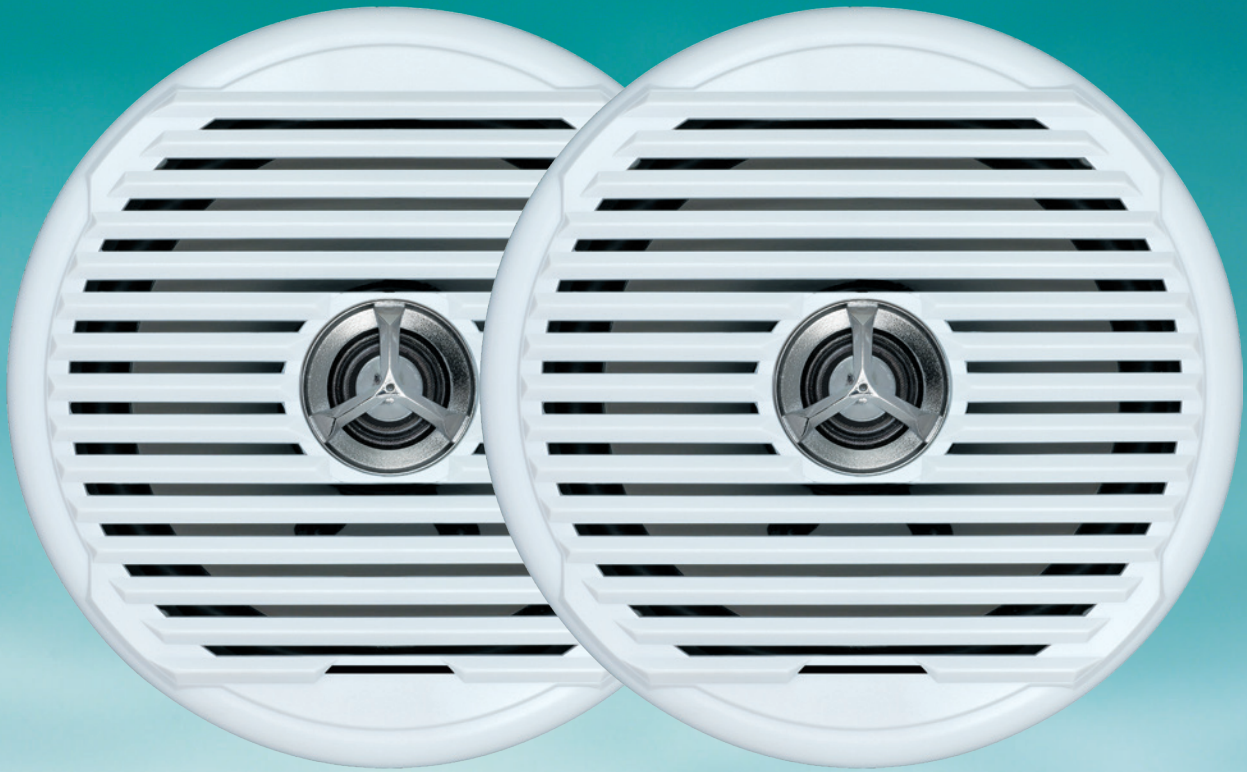
Woofer Size	6.5"	
Woofer Material	Poly-propylene	
Tweeter Type	Dome	
Tweeter Material	Silk	
Voice Coil Size	1"	
Magnet Weight	11oz	
Mounting Depth	2.3"	
Hole Size	5.25"	
Impedance	4 Ω	
Temperature Range	-30°C - 70°C	-22°F - 158°F
Max RH	100%	
Terminal Size	Positive - 1/4"	Negative - 3/16"

Performance Specifications:

Frequency Response	65 Hz – 20 KHz
RMS Power Range	35W
Max Power	75W
SPL @ 1 W/ 1 M	88 dB
Resonant Frequency	75 Hz



6.5" Coaxial Marine Speakers [MSX65R]



KEY FEATURES:

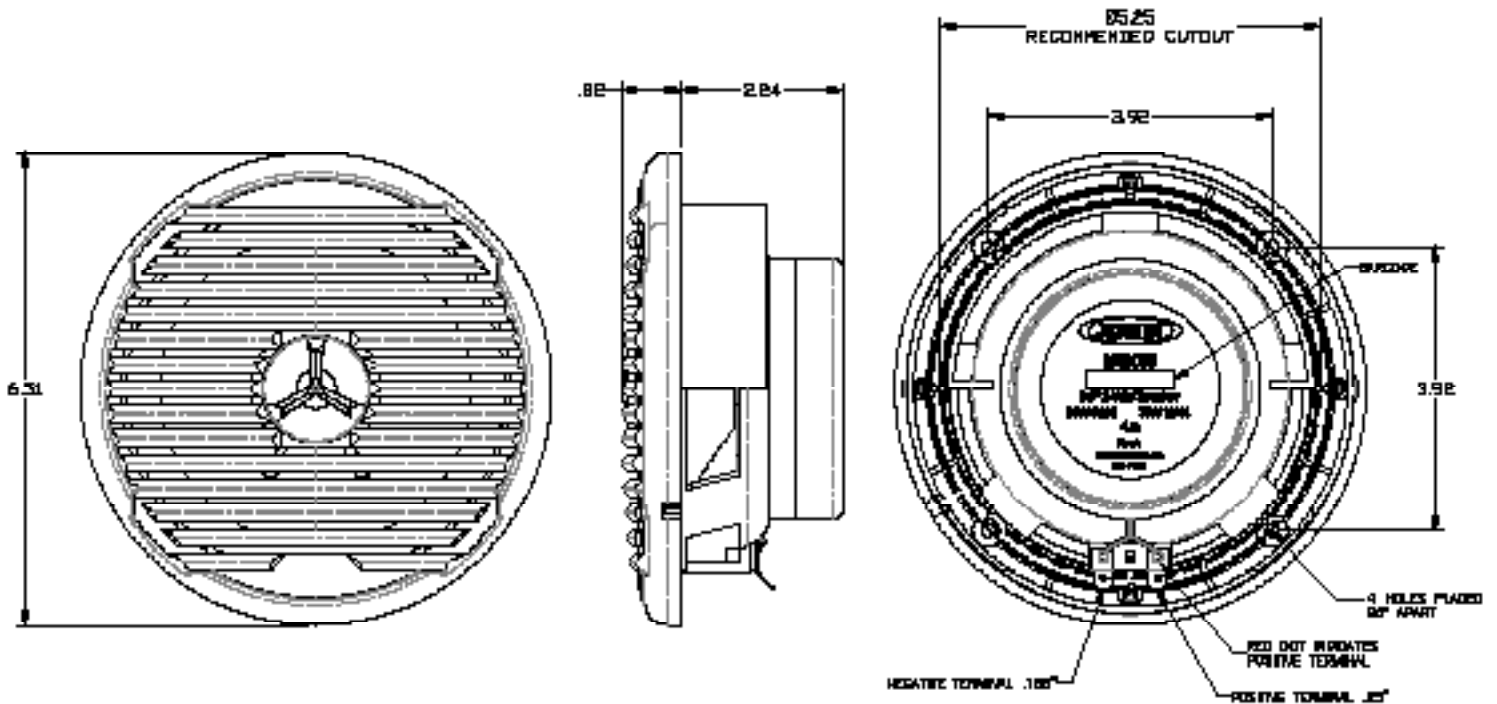
- 75 watts peak (35 RMS)
- 65 Hz - 20 KHz usable frequency response
- Neodymium magnet dome tweeter
- 4 ohms impedance
- 6.5" polypropylene woofer
- 11 oz magnet
- Rubber suspension
- 2.3" mounting depth
- Flush mount
- Sets of both silver and white grilles included
- Corrosion resistant (ASTM B117)
- UV resistant (ASTM D4329)



MARINE CERTIFIED



6.5" Coaxial Marine Speakers [MSX65R]



Specifications: General Specifications:

Woofers Size	6.5"	
Woofers Material	Poly-propylene	
Tweeter Type	Dome	
Tweeter Material	Silk	
Voice Coil Size	1"	
Magnet Weight	11oz	
Mounting Depth	2.3"	
Hole Size	5.25"	
Impedance	4 Ω	
Temperature Range	-30°C - 70°C	-22°F - 158°F
Max RH	100%	
Terminal Size	Positive - 1/4"	Negative - 3/16"

Performance Specifications:

Frequency Response	65 Hz - 20 KHz	
RMS Power Range	35W	
Max Power	75W	
SPL @ 1 W/ 1 M	88 dB	
Resonant Frequency	75 Hz	

Features and specifications subject to change without notice.

If you're looking for quality marine audio, visit our website.