



Swivel-Tongue Screw Jack

11127

Assembly and Installation Instructions

SAVE THESE INSTRUCTIONS

This product carries the standard Attwood one-year warranty.

Form Number 69411 Rev. A

04-09

This Attwood Swivel-Tongue Screw Jack requires assembly before use. Please read these instructions carefully.

⚠️ WARNINGS:

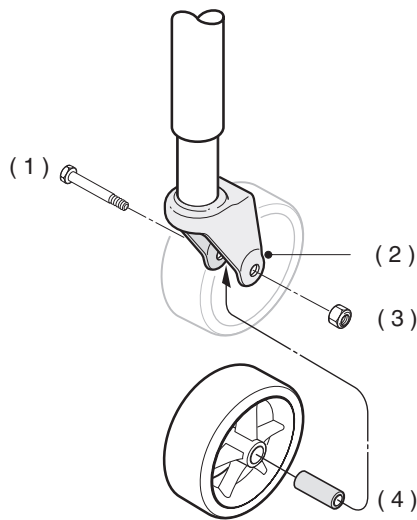
- DO NOT exceed rated load capacity (1,000 pounds, 450Kg).
- Inspect retainer ring before each use. Ring must be completely seated in the groove.
- When raising and lowering jack, keep body and feet clear of trailer tongue.
- Jack must be secured in fold-up position before towing.

RECOMMENDED LOCATION

Locate jack so that:

- Handle clears obstructions when cranking
- Jack is clear to fold up.

Figure 1



	English	Français	Español
1	Bolt	Boulon	Perno
2	Wheel Fork	Fourche de roulette	Yugo de la rueda
3	Nylock Nut	Écrou de blocage en nylon	Tuerca de seguridad
4	Bushing	Douille	Buje

ASSEMBLE WHEEL (Figure 1)

1. Insert bushing through wheel.
2. Insert wheel into the wheel fork.
3. Insert 3" (76mm) bolt through bushing and wheel. Thread on nylock nut securely but leave enough slack so wheel spins freely.

INSTALLATION INSTRUCTIONS (Figure 2)

Mount jack to trailer tongue using only the hardware provided in bag.

1. Insert 4 bolts through backing plates, 2 above and 2 below trailer tongue.
2. Attach mounting plate to bolts from opposite side of tongue.
3. Tighten securely with lock washers and nuts provided.
4. Check and re-tighten as needed.

WELDING INSTRUCTIONS (If Desired)

1. Locate jack as above.
2. Weld mounting plate to tongue using 5/32" minimum (4mm) fillet weld all around perimeter of plate.

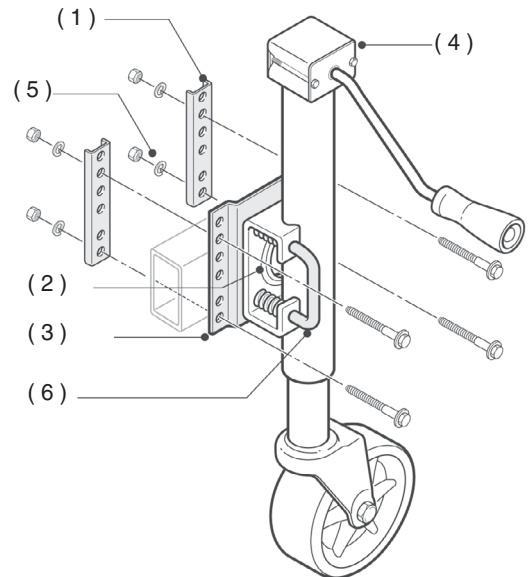
LUBRICATE GEARS (Figure 2)

1. Remove cap from top of jack.
2. Spoon in gear grease until gears are fully covered.
3. Replace cap. Periodically check grease if used frequently.

SWIVEL JACK UP OR DOWN (Figure 2)

1. Pull locking pin straight out to allow jack to swivel.
2. Swivel jack to desired position. Be certain pin snaps back into locked position.

Figure 2



	English	Français	Español
1	Backing Plates	Plaques de support	Placas de respaldo
2	Retainer Ring	Anneau de rétention	Anillo de retención
3	Mounting Plate	Plaque de montage	Placa de montaje
4	Cap	Capuchon	Tapa
5	Lock Washer & Nuts	Rondelle de blocage et écrous	Arandela de presión y tuerca
6	Locking Pin	Cheville de blocage	Horquilla de fijación