
The logo for Attwood, featuring the word "attwood" in a bold, lowercase, sans-serif font. A registered trademark symbol (®) is located at the top right of the letter "d".

Cowl Vent

1364A

Installation Instructions

SAVE THESE INSTRUCTIONS

Form Number 69219 Rev. B

FEATURES:

The Attwood Cowl Vent is simple to install and is intended to be used for either intake or exhaust. It is designed with a flexible flange attachment.

The vent is made of die-cast ZAMAK with Perma-Plate® chrome finish. The flange is made of black plastic for easy installation in deck hole and neat hose attachment.

It is designed to be used with any standard 3" ventilation hose.

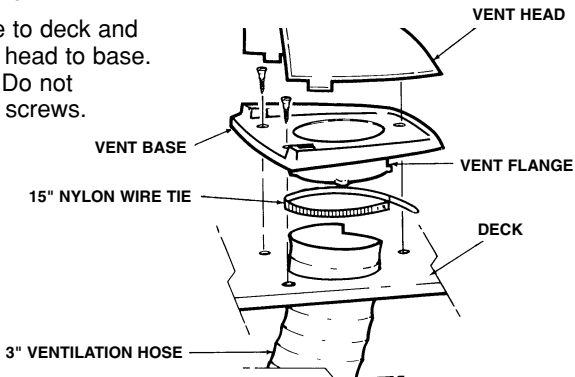
Attwood marine hardware, navigation lighting, interior lighting, bilge pumps, and other marine accessories are specified more than any other brand by America's best-known boat manufacturers as original equipment. Look to Attwood for quality replacement parts and add-on marine accessories.

TOOLS AND MATERIALS REQUIRED FOR INSTALLATION:

1. Drill and drill bits.
2. Three #8 stainless steel wood/sheet metal counter-sunk screws.
3. Hose clamp (15" nylon wire tie).
4. Screwdriver.

INSTALLATION INSTRUCTIONS:

1. Select a suitable location for cowl vent on deck. Using vent base as template, mark and drill holes.
2. The installation hole diameter should be 3-1/2" when using a nylon wire tie. Adjust the size of the hole diameter depending on the size of the hose clamp.
3. Using a 3" ventilation hose, slide hose up through hole and attach over vent flange.
4. Put hose clamp (15" nylon wire tie) around ventilation hose and flange and tighten.
5. Mount base to deck and attach vent head to base.
CAUTION: Do not overtighten screws.



Learn more about boat hatches and ventilation we have.