

Battery Switch

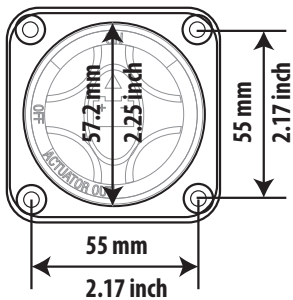
14233-7

INSTALLATION INSTRUCTIONS
 SAVE THESE INSTRUCTIONS
 Read all instructions prior to assembly.

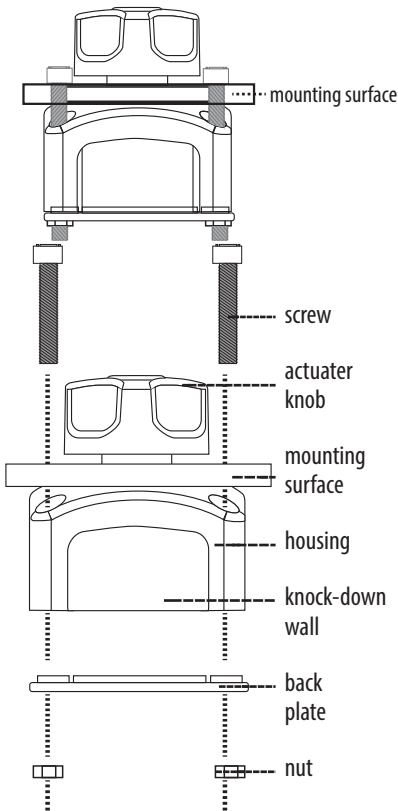
⚠ WARNING! Prior to drilling or mounting of the product: verify the location of all wiring harnesses, fuel lines, steering cables etc. on your boat. Make sure all drilling and mounting components do not interfere with the other systems of the boat. Always read and follow boat manufacturer's instruction manuals.

Required for installation:
 Drill- 9/64 Bit
 Screws- 4 qty #6 stainless steel
 Nuts- 4 qty #6 stainless steel
 If additional wire is needed, consult an electrician

FLUSH MOUNT

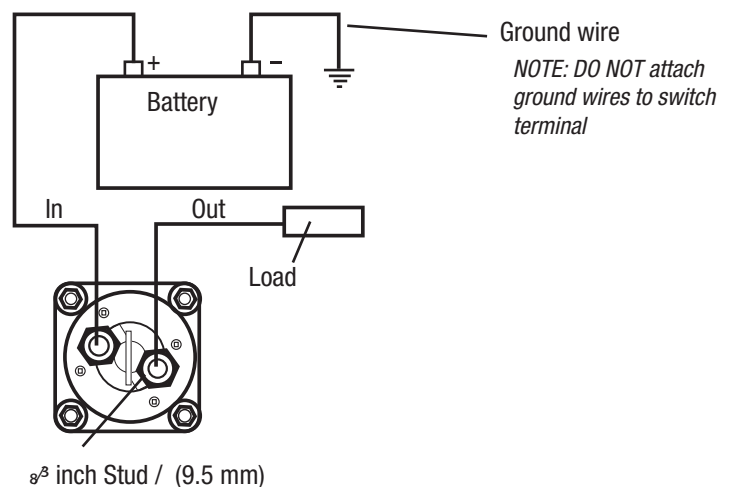


- 1) Drill four holes for screws (9/64 inch) and one hole for actuator knob (2.25 inch).
- 2) A) Remove desired knock-down wall.
 B) If wires need to attach from the back, do not include backplate during mounting.
- 3) Assemble battery switch to mounting location. Use diagram as a guide.
- 4) Connect wire to battery switch (Figure 1).

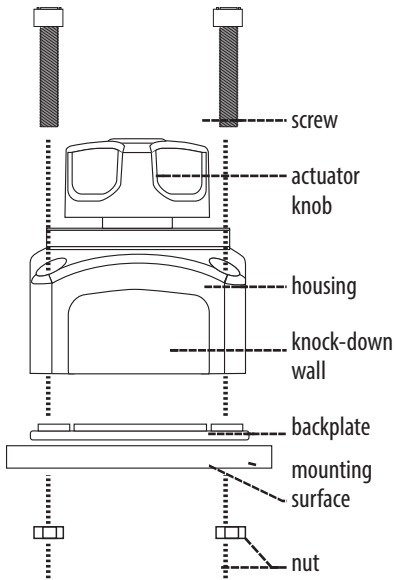
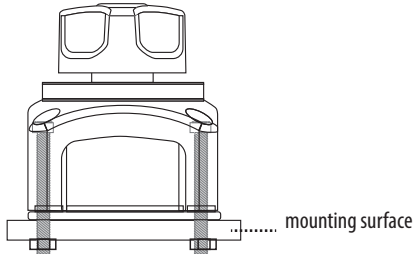
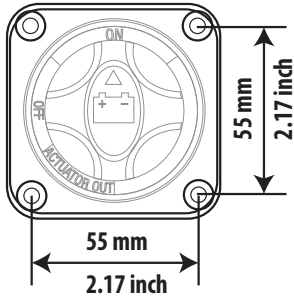


To connect wire to battery switch:

Figure 1



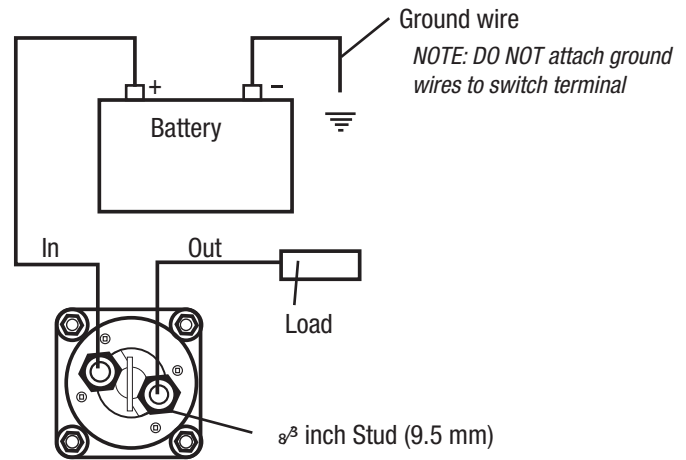
SURFACE MOUNT



- 1) Drill four holes for screws.
- 2) A) Remove desired knock-down wall for wire access.
B) If wires need to attach from the back, drill one additional wire access hole and do not include backplate during mounting.
- 3) Assemble battery switch to mounting location. Use diagram as a guide.
- 4) Connect wire to battery switch (Figure 1).

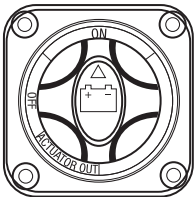
Figure 1

To connect wire to battery switch:



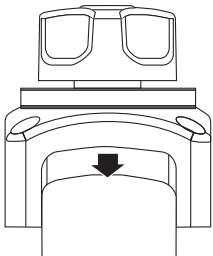
To remove actuator knob :

Rotate the knob so the triangle points to "ACTUATOR OUT". To remove, pull knob off of the switch.



To replace actuator knob:

Align the triangle so it points at the "Actuator Out" location. Slide knob into place, push down and rotate to the "Off" position.



Removable walls:

Slide down the knock-down wall to allow cable access. At open side, align wall with grooves and slide wall up until closed.