



Flush Hatch Pull

2027

Installation Instructions

Attwood marine hardware, navigational lighting, bilge pumps, and other marine accessories are specified more than any other brand by America's best-known boat manufacturers as original equipment. Look to Attwood for quality replacement parts and marine accessories.

SAVE THESE INSTRUCTIONS

Form Number 69319 Rev. C

04-11

FEATURES

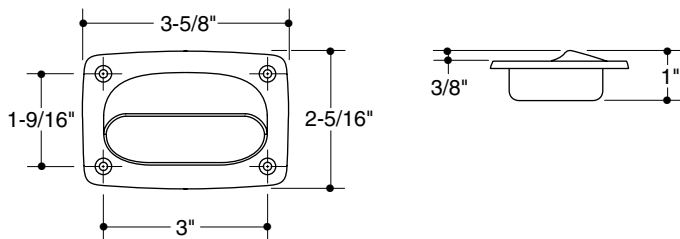
The Attwood Flush Hatch Pull is designed for easy installation in lids, doors, compartments, and hatches. Its low profile design keeps it flush with the deck – yet its deep bottom allows even gloved hands to easily open the compartment. The flush pull styling is designed to compliment Attwood's covered flush latches and oval flush pulls.

REQUIRED FOR INSTALLATION

- Center punch or awl
- 1-5/8" hole saw
- Small hand saw
- Drill and suitable drill bits
- Screwdriver
- (4) #6 or #8 bugle head screws

MARK INSTALLATION HOLE

Figures 1 & 2

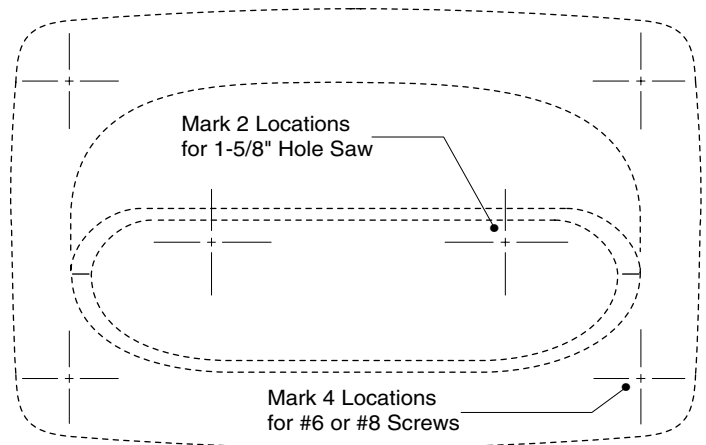


1. Select a location that will not interfere with hatch frame.
2. With handle facing edge of hatch, place template in desired location.
NOTE: Ensure that template is parallel with hatch, so that hatch pull will be straight when installed.
3. Using punch or awl, mark hatch trough template at four attaching screw locations, then mark the two installation hole centerlines.

NOTE: The two installation holes **must** be marked on-line to ensure proper hatch pull alignment.

DRILL HOLES

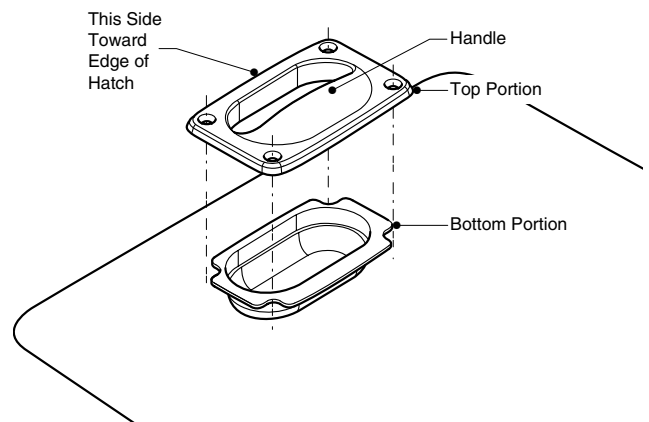
Figure 2



1. Drill two installation holes with the 1-5/8" hole saw. Use hand saw to remove material between installation holes.
2. With handle opening facing edge of hatch, place bottom portion of hatch pull into installation hole and check for proper fit. Position top portion of hatch pull and ensure that screw holes are aligned with marks on hatch – if not, make a new mark through screw holes.
3. Drill all four attaching screw holes.

INSTALL HATCH PULL

Figure 3



1. Install bottom portion of hatch pull first, then top portion. Ensure handle opening is facing edge of hatch.
2. Install and tighten four attaching screws.