



238 Series 2-3/8" Diameter Bell and Socket Pedestals

Installation Instructions

SAVE THESE INSTRUCTIONS

Form Number 69400

PEDESTAL FEATURES

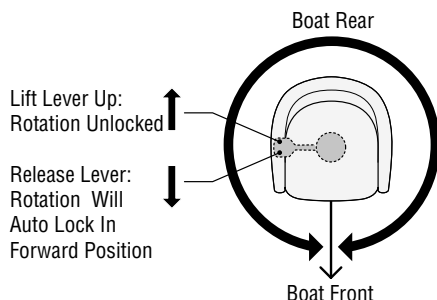
Swivl-Eze 238 Series Pedestals offer ergonomic controls and smooth, wobble-free motion. They meet Type A Driver ABYC H-31 regulations for driver's seat applications. Installers and users must abide by all ABYC and U.S. Coast Guard regulations for seating. Pedestal is ordered with Auto Lock handle at Left, Right, or (on Seat Mount versions) Forward. Handle can't be modified to a different orientation.

HOW TO USE THE PEDESTAL

WARNING

According to ABYC and Coast Guard regulations, when the vessel is in motion, seat must face forward with Auto Lock handle engaged (Figure 1).

Figure 1

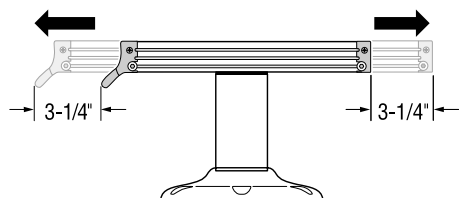
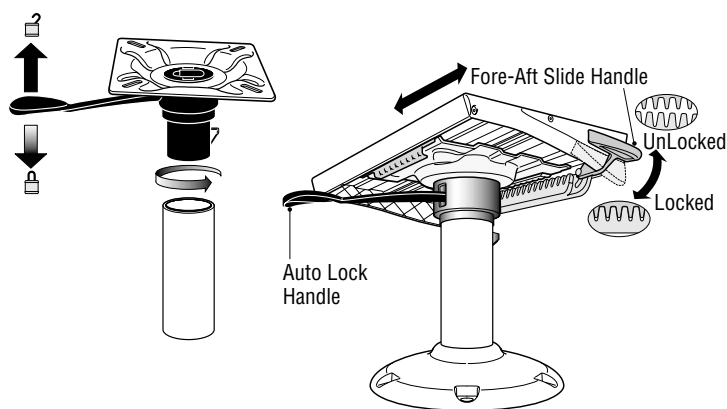


To Operate Auto Lock Handle:

1. Lift Auto Lock handle to unlock and pivot.
2. When you release handle, seat will automatically lock forward as you rotate to forward position (Figure 2).

NOTE: Seat **must be** locked forward when vessel is in motion.

Figure 2



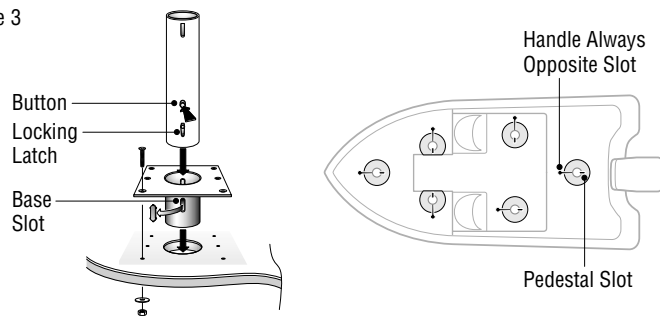
To Operate Slider Platform Handle:

1. Lift handle to allow fore-aft motion. (Figure 2)
2. Release handle to hold slider in place. Fully lock by pushing handle down.

To Remove / Relocate Pedestal Tube from Socket Base:

1. To insert pedestal tube: Align Locking Latch with Base Slot. Press down until the latch locks. Try to lift tube to be certain it is locked in place. (Figure 3)
2. To remove pedestal tube: Depress button at bottom of tube. Twist and lift to remove tube.

Figure 3



MATERIALS REQUIRED FOR INSTALLATION

- Six (6) 1/4"-20 stainless countersunk-head machine screws, washers and nuts. Bolts must be suitable length for mounting location and substrate.
- NOTE:** Do not use copper or copper-plated fasteners.
- Four (4) 1/4"-20 stainless steel machine screws and washers to attach seat to mount.

MOUNTING LOCATION AND HEIGHT

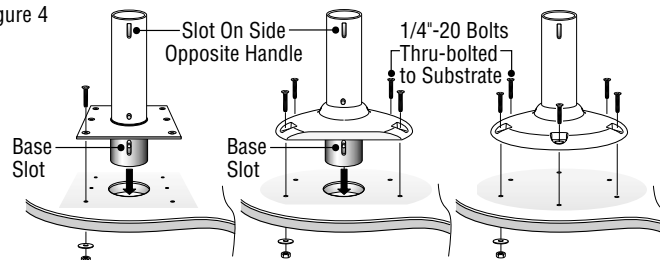
- Best sitting height (including seat) is about 15-1/2" (39cm) above deck.
- Pedestal must be mounted to a suitable marine-grade substrate according to ABYC standards.
- Aluminum or stainless steel backing plate is also recommended.

PEDESTAL BASE INSTALLATION INSTRUCTIONS

1. Lift Auto Lock handle to unlock the seat mount; remove it from pedestal tube.

IMPORTANT: Pedestal base orientation determines the correct direction of the seat tilt and Auto Lock handle. Before fastening, the base slot **must be** positioned on the side **opposite the Auto Lock Handle** (Figure 4).

Figure 4

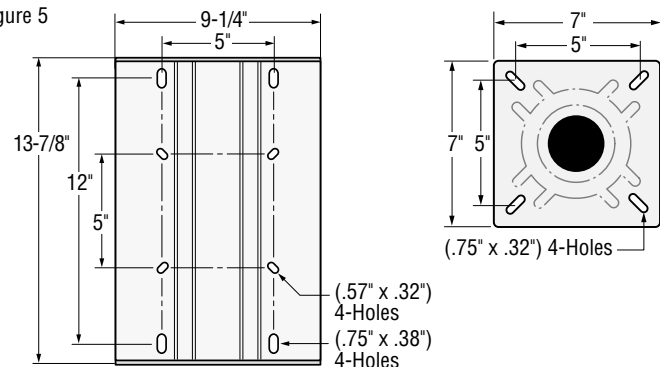


2. For Socket bases only: drill 3-1/2" deep x 3-1/4" dia. (89 x 89mm) hole at exact center of mounting location.
3. For Square and D-Shape Socket bases: remove one plastic knockout so correct slot is open for forward locking position.
4. Turn base so pedestal tube slot is **opposite** the Auto Lock handle side.
5. Use base as template to mark and drill 5/16" (8mm) holes through deck and substrate.
6. Thru-bolt the base with stainless steel 1/4"-20 countersunk-head machine screws, washers, and nuts.

FASTEN SEAT TO PEDESTAL

1. Place seat mount or slider platform against bottom of the seat. (Figure 5)

Figure 5



2. On slider platform, slide handle must be beneath front of seat. Adjust slider platform fore/aft so that front edge is even with front of seat. Handle will be slightly exposed.
3. Insert 1/4"-20 stainless steel machine screws through washers and the widest pattern that matches T-nuts in bottom of seat. Be sure at least 3/8" (8mm) thread length enters the seat's T-nuts.
4. If seat does not have T-nuts, it must be securely thru-bolted with 1/4" stainless bolts, washers and nuts.
5. When seat is fastened reinsert into the pedestal tube and press all the way down. Check for pivot, slide, and locking operations.

MAINTENANCE

1. Clean pedestal and mount with mild soap and water. Do not use abrasive cleansers or polishing agents.
2. Periodically check all fasteners for proper tightness.