



# Drink Holder

## Installation Instructions

Attwood marine hardware, navigational lighting, bilge pumps, and other marine accessories are specified more than any other brand by America's best-known boat manufacturers as original equipment. Look to Attwood for quality replacement parts and marine accessories.

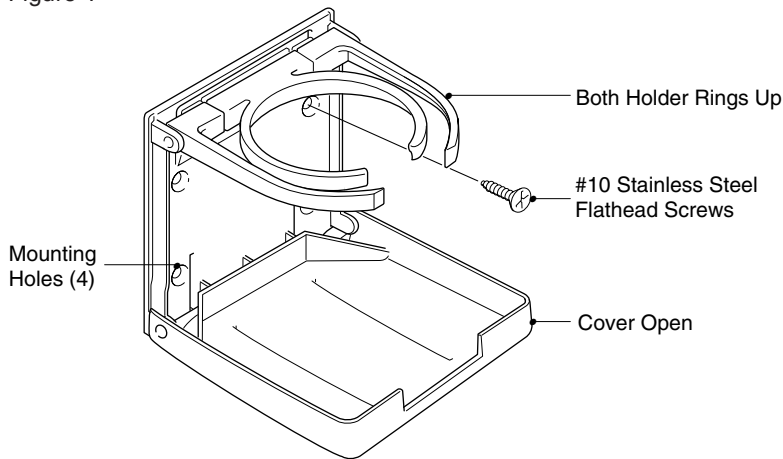
### Required for Installation

- Drill with 1/8" bit
- Four #10 stainless steel flathead screws (sold separately)

### Figure 1

1. Open the cover and flip both holder rings up.
2. Position the drink holder on the desired flat surface, holder rings on top.
3. Using the four mounting holes as a template, mark pilot holes.
4. Drill four pilot holes.
5. Attach drink holder with four #10 stainless screws.

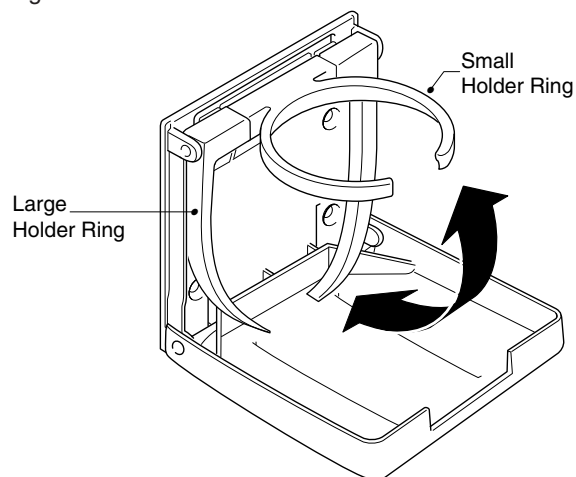
Figure 1



### Figure 2

Holder rings flip up and down individually for different container sizes.

Figure 2



### Figure 3

Flip small ring up, large ring down to hold 12 oz. can or small cup.

### Figure 4

Flip large ring up, small ring down to hold beverage cooler, mug, or large cup.

When not in use, flip both rings down and close cover.

Figure 3

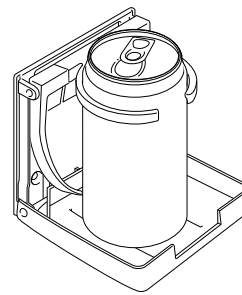
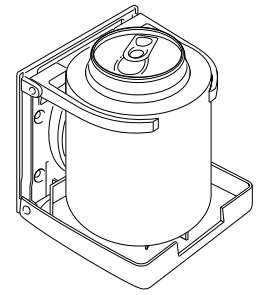


Figure 4



### Dimensions

A.	4-9/16"
B.	4-5/8"
C.	3-1/16"
D.	1-7/8"
E.	(Closed) 15/16"
F.	(Open) 4-3/4"

