



Standard and Sportline Glove Boxes

2638, 2715, 2716
Installation Instructions

SAVE THESE INSTRUCTIONS

FEATURES:

Attwood glove boxes are specially designed for those who enjoy a more sport-styled look. The Sportline glove box is a matched companion to the Sportline steering wheel.

These glove boxes are made of rugged black plastic. The door incorporates a marine locking latch. Located inside the door are two drink holders that will help keep your beverages in place when the door is open.

TOOLS REQUIRED FOR MOUNTING:

1. Drill and suitable bits
2. Six (6) #8 screws
3. Saber saw with appropriate saw blades
4. Prick-punch
5. Soft lead pencil

INSTALLATION INSTRUCTIONS:

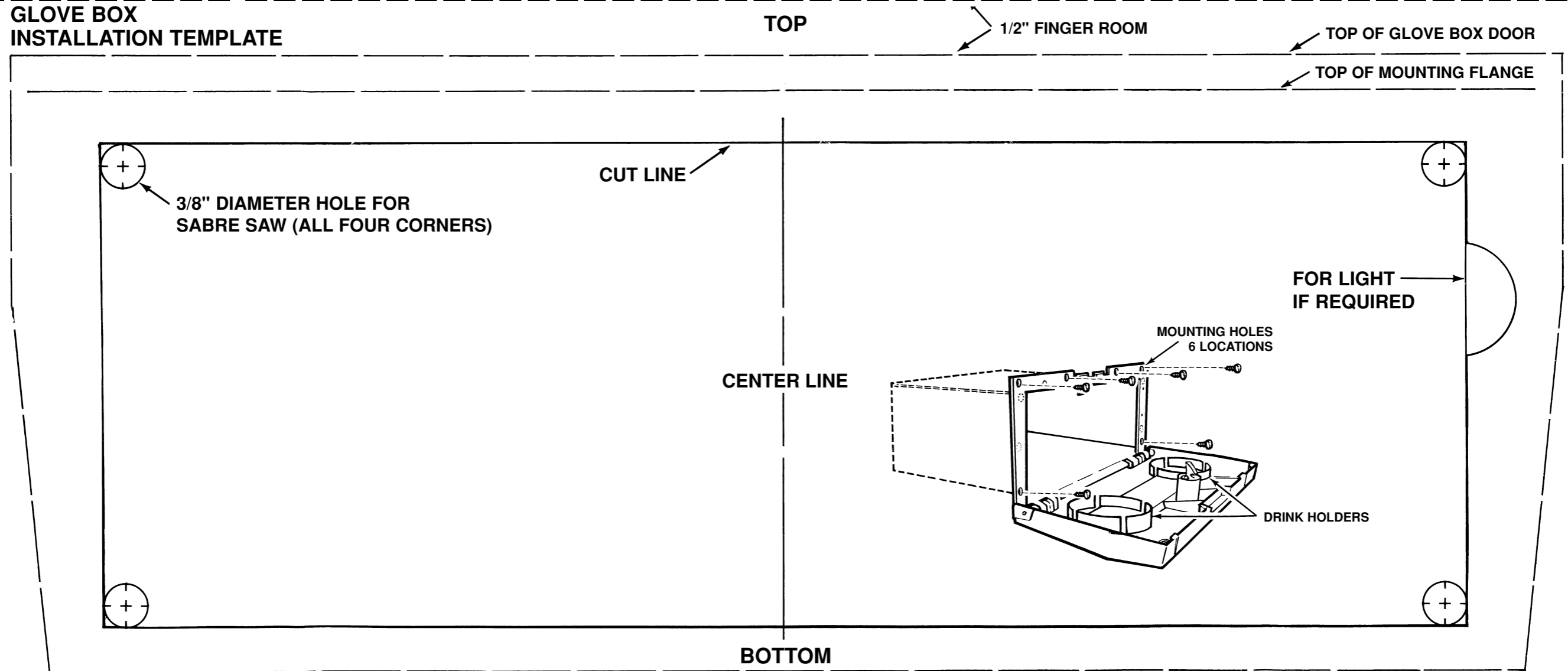
1. Cut out glove box template.
2. With a soft lead pencil, blacken behind sheet compartment hole cut line and the four corner saber saw cut drill holes.
3. Tape template in your desired location. Leave room for overall glove box dimensions as indicated on your template.
4. Mark the center of the four corner holes with prick-punch.
5. Drill 3/8" diameter starting holes and cut away on inside line.
6. Trace over compartment hole cut line connecting the four 3/8" diameter holes in each corner as shown and remove template. Carefully saber saw along the cut line starting the saw blade at one of the corner holes.
7. Install glove box and hold in position while marking the six screw holes as indicated on illustration inside template. Remove glove box.
8. Drill the six mounting screw holes where prick-punch marks are located.
 - a. If wood or self-tapping screws are used, drill 1/8" diameter hole into dash.
 - b. If screws with nuts are used, drill 3/16" diameter holes through dash.
9. Install glove box into mounting hole and secure with #8 screws.

CAUTION:

Do not use acetone or other solvents on box or door.

(CUT & DETACH FROM INSTRUCTIONS)

GLOVE BOX INSTALLATION TEMPLATE



Check out the collection of boat cabin and galley hardware we offer.