



# S3 ELECTRONIC BILGE SWITCH

4801 / 4802

SAVE THESE INSTRUCTIONS

INSTALLATION INSTRUCTIONS

09/01

69460 Rev. B

This electronic bilge switch converts any standard bilge pump to automatic operation. Pump must operate on 12 OR 24 volts D.C. (see chart). The switch can be mounted separately from the pump; it can also attach to a mounting bracket on all Attwood Tsunami Series Pumps (4606, 4608, and 4612).

| Input DC Voltage | Part Number | Max Allowable Pump Amp Draw | Actual Switch On Amp Draw | Actual Switch Off Amp Draw |
|------------------|-------------|-----------------------------|---------------------------|----------------------------|
| 12               | 4801        | 15A                         | 80mA                      | 10mA                       |
| 24               | 4802        | 10A                         | 35mA                      | 7mA                        |

### WARNING:

- This product is only intended for use with D.C. voltage systems. A.C.-to-D.C. converted power sources may cause it to function incorrectly.
- Connecting the brown wire to ground may cause damage to switch.
- Always disconnect the power source when installing or servicing this product.
- Always use the fuse amperage rating specified for your pump model.

### IMPORTANT:

- Do not allow sealants containing acetic acid – such as silicone rubber – to come in contact with the switch housing. They can damage and crack the plastic, causing the switch to fail. Sealants with acetic acid smell like vinegar.
- If switch sits unpowered for 1 or more years, the 8-10 second power up cycle may run longer than normal for the first cycle. After that it will return to the proper power up time.

### MOUNTING INSTRUCTIONS

- Locate electronic switch as close as possible to the bilge pump. If mounting with a Tsunami Series pump, the back slot on the switch may be interlocked with the hook feature on the pump bracket. Mount switch on the same level or above the inlet of the pump.
- With switch in desired mounting position, mark the four mounting holes.
- Set depth gauge on drill bit to prevent drilling through hull. Drill a 1/8" (3 mm) diameter pilot hole at each mark.
- Feed wires out side or rear of switch. Fasten switch using #8 Stainless Steel panhead screws. Be sure screws penetrate wood only; do not screw into the boat hull. (Figure 1)

### WIRING INSTRUCTIONS

Wire electronic switch and bilge pump as shown in either of the two diagrams. (Figure 2)

The lead wires (16 Ga.) must terminate in a waterproof connection. Mount wires above the highest possible water mark.

Failure to properly fuse and make the appropriate water-resistant connections will void the product warranty.

### FUNCTIONAL INSTRUCTIONS

- Once wired properly, switch will run a test cycle EACH time supply power is applied. This will cause the pump to run 8-10 seconds.
- Switch Delay ON:** The switch will turn on once both sensors have 6-8 seconds of constant contact with water. Splashing water will not turn switch on. As long as water touches both sensors, pump will remain on.
- Switch Delay OFF:** Once the water level drops below the upper sensor, the off timer will begin. The off timer will run for 60 (+/- 10) seconds and will time out. After 60 seconds the bilge pump will shut off.
- To Test the Switch:** Hold wet rag across upper and lower sensors (see Figure 3) until the pump turns on (6-8 seconds). Remove rag from sensors. Pump should run for 60 (+/- 10) seconds then shut off.

### CARE AND MAINTENANCE INSTRUCTIONS

Periodically inspect switch and clear away debris that has accumulated around the switch housing. Periodically check the electrical connections to ensure that they are water-proof and mounted high and dry. Periodically clean the stainless steel sensors with a rag.

Figure 1

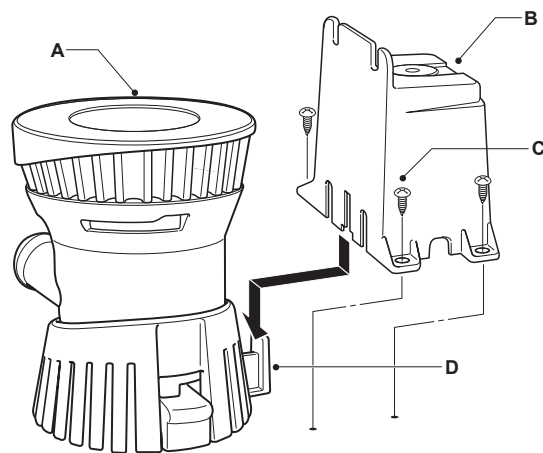
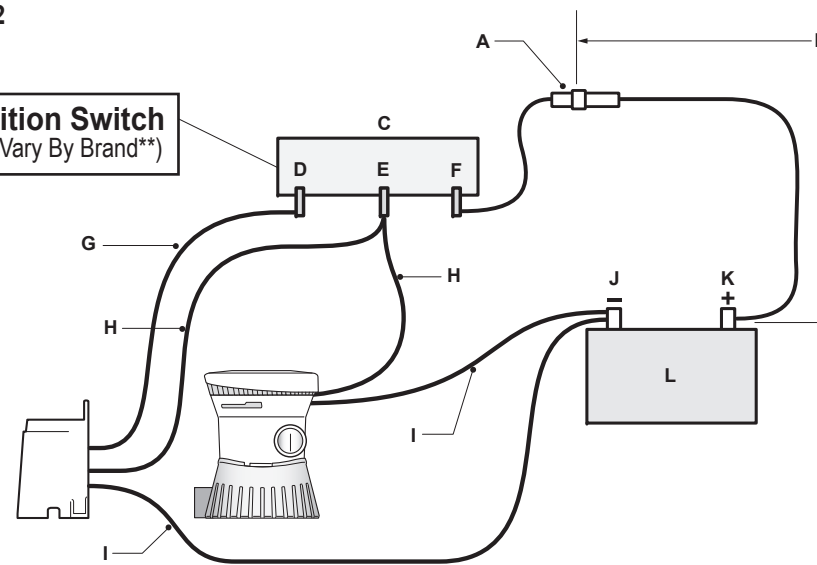


Figure 1

- A. Attwood Tsunami Series Pump
- B. S3 Bilge Switch
- C. #8 Stainless Steel Panhead Screws
- D. Pump Bracket

Figure 2

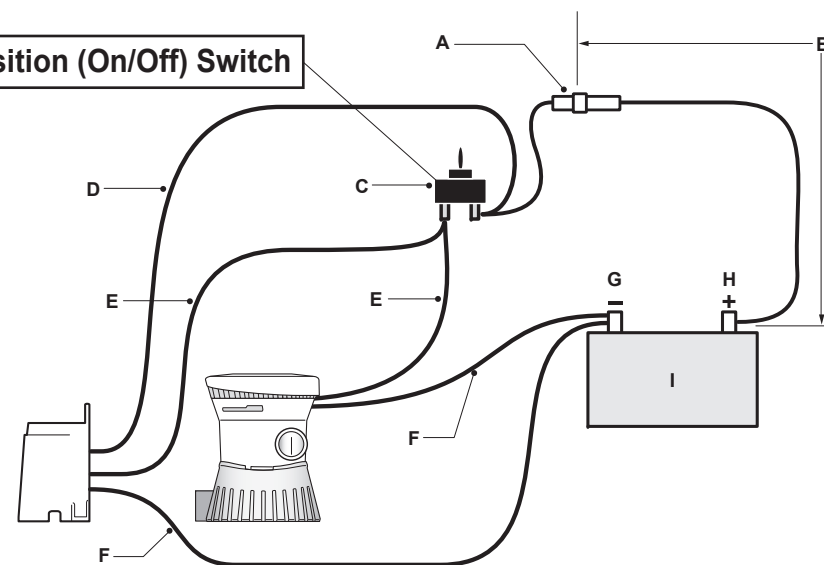
### 3 Position Switch (\*\*May Vary By Brand\*\*)



### Auto / Manual / Off

- A. Fuse Holder
- B. 72" (183cm) Max Length From (+) Terminal To Fuse
- C. 3-Position Switch
- D. Auto
- E. Manual
- F. Off
- G. Red (+)
- H. Brown (+)
- I. Black (-)
- J. Neg (-)
- K. Pos (+)
- L. Battery

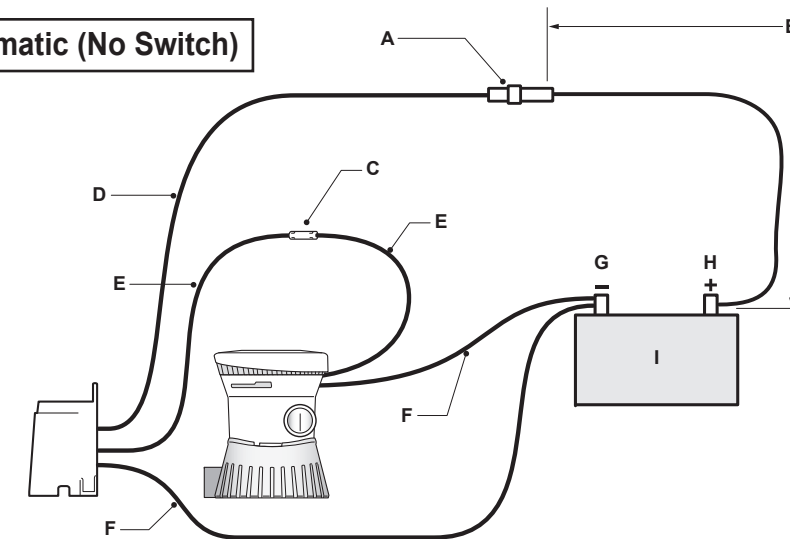
### 2 Position (On/Off) Switch



### Auto / Manual

- A. Fuse Holder
- B. 72" (183cm) Max Length From (+) Terminal To Fuse
- C. 2-Terminal On / Off Switch
- D. Red (+)
- E. Brown (+)
- F. Black (-)
- G. Neg (-)
- H. Pos (+)
- I. Battery

### Automatic (No Switch)



### Automatic

- A. Fuse Holder
- B. 72" (183cm) Max Length From (+) Terminal To Fuse
- C. Wire Connector
- D. Red (+)
- E. Brown (+)
- F. Black (-)
- G. Neg (-)
- H. Pos (+)
- I. Battery

Figure 3

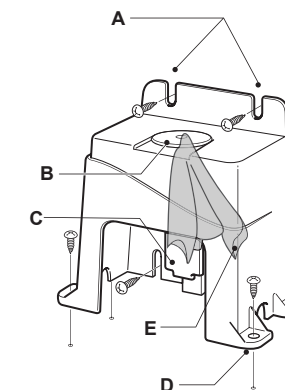


Figure 3

- A. Vertical Mounting Slots
- B. Upper Sensor
- C. Lower Sensor
- D. Mounting Feet
- E. Wet Test Rag

Figure 3

- A. vertikala monteringsspår
- B. övre givare
- C. undre givare
- D. monteringsfötter
- E. våt trasa