



LED INTERIOR / EXTERIOR LIGHTING

6340 / 6320 Series Round

SAVE THESE INSTRUCTIONS

INSTALLATION INSTRUCTIONS

08/12

69439 Rev. B

REQUIRED FOR INSTALLATION

- Phillips screwdriver and flat head screwdriver
- Drill and bits: 3/8" for wire clearance hole
- Pilot drill for mounting screws
- Two #4 stainless steel screws for 6342 and 6347 lights. Two #6 stainless steel screws for 6320-6324, 6340, 6341, 6345, 6346, 6348, and 6349 lights.

LOCATION

1. Lights can be positioned in any exterior or interior location. Lights are intended for surface mount. No thru holes are required for installation.
2. Measure and mark location for 3/8" wire clearance hole.

DRILLING INSTRUCTIONS

1. Insert small flat head screwdriver into lens notch and gently pry lens from light housing.
2. Align light with the position you've marked for the wire clearance hole (Figure 1).
3. Use the light housing as a template to mark locations for the mounting screw pilot holes.

⚠ CAUTION: Position holes carefully on aluminum boats so that wires do not contact the hull.

4. At the marked locations, drill a 3/8" wire clearance hole and drill two screw pilot holes for mounting screws.

MOUNTING INSTRUCTIONS

1. Make wire connections according to the WIRING INSTRUCTIONS.
2. Insert two stainless steel screws through the light housing and fasten light to surface.
3. Align using pin and snap features on housing (Attwood logo should be upright).
4. Snap lens into place.

WIRING INSTRUCTIONS

1. The power supply must be a 12-volt DC only. Use crimp-type marine grade connectors with suitable waterproof insulation.
 2. Protect all connections with suitable materials.
NOTE: Failure to make proper connections and fuse the light properly will void the product warranty.
- ⚠ CAUTION:** Polarity is important. If wiring is mis-connected, the LED light will not operate.
3. Connect wires to fused power source (Figure 2).
 4. Connect the (-) black wire to the negative (-) wire from the 12-volt supply.
 5. Connect the (+) grey or red wire along with the proper fuse switch to the positive (+) 12-volt supply.
 6. Fuse must be 1-amp.

ATTWOOD LIMITED 10-YEAR WARRANTY

This product carries a limited ten (10) year warranty. This is a non-serviceable (LED) light source, any attempt to open or service the light voids warranty.

Figure 1

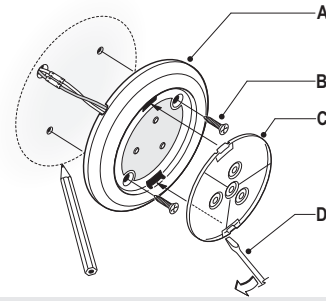


Figure 1

- A. Housing
- B. Screws
- C. Lens
- D. To Remove (Gently Pry)

Figure 2

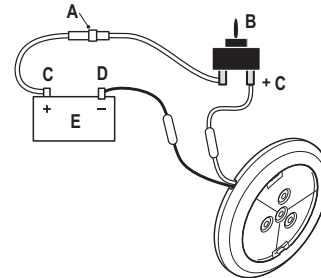


Figure 2

- A. Fuse
- B. Switch
- C. Positive
- D. Negative
- E. 12V DC