

**attwood**<sup>®</sup>

# Zamak 1-Mile Combination Sidelight

6375D

## Installation Instructions

*Attwood marine hardware, navigational lighting, bilge pumps, and other marine accessories are specified more than any other brand by America's best-known boat manufacturers as original equipment. Look to Attwood for quality replacement parts and marine accessories.*

### SAVE THESE INSTRUCTIONS

Form Number 69305 Rev. B

03-10

### REQUIRED FOR INSTALLATION

- Drill with 1/8" (3mm) and 1/4" (6mm) dia. bits.
- Screwdriver and two #8 x 3/4" (19mm) stainless screws.
- Suitable marine sealant.
- 2-conductor, 14-gauge wire for connection to switch and power supply.
- Fuse holder with 1.0-amp (maximum) fuse.
- ON/OFF switch (Attwood Numbers: 7563, 7589).

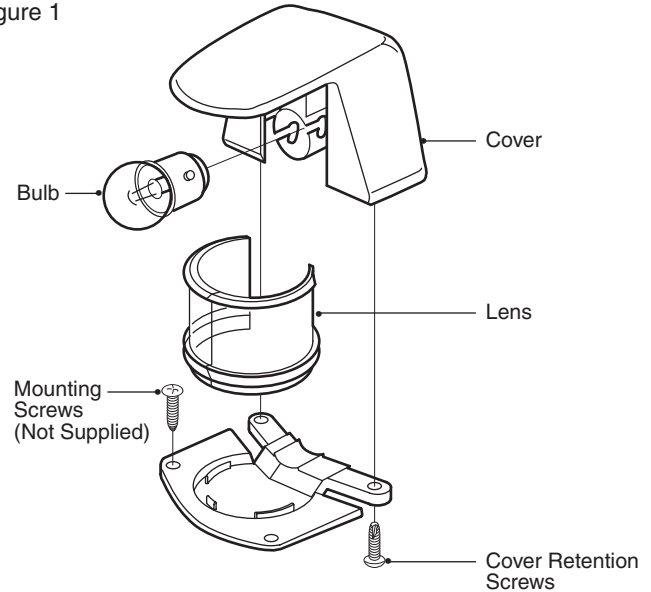
### LOCATION

1. Position light on horizontal ( $\pm 5^\circ$ ) deck surface at forward tip of the bow on boat centerline.
2. Ensure that there are no front or side obstructions within arc of visibility ( $112.5^\circ$  each side).

### MOUNTING INSTRUCTIONS

1. Align center of light with boat centerline. Use base to mark mounting screw pilot holes. (See Figure 1.)
2. Drill two 1/8" (3mm) pilot holes. Beneath base, drill a 1/4" (6mm) diameter hole for power wires.

Figure 1



3. Attach power wires to suitable switch, 1-amp fuse, and power source.
4. Apply marine sealant around base and wire hole. Use #8 screws to fasten light to deck.

### MAINTENANCE

Replace bulb with #90, 7.5 watt type (Attwood #9232):

1. Remove light from deck. Remove cover retention screws, base and lens. Replace bulb. (See Figure 1.)
2. Reassemble and install light.

Learn more about boat navigation lights we have.