



# 2-Mile LED Transom Light

Model 6556

## SAVE THESE INSTRUCTIONS

Form Number 69437 Rev. A

08-04

### WARNING

Read all instructions carefully before installing and using this product. To prevent personal injury, disconnect the power source when installing or servicing this product. Always remove the boat from the water before using 120V AC power tools.

Use only the fuse amperage rating specified in these instructions.

### FEATURES

These Attwood Transom Lights are for use on boats up to 65.6 ft. (20 meters).

6556 Transom Light meets USCG CFR 183.810, ABYC A-16 requirements, and all applicable standards as tested by Imanna Labs, 11/30/2007. 2 nautical mile visibility.

### REQUIRED FOR INSTALLATION

- Two #8 stainless steel panhead screws
- Phillips screwdriver
- Marine grade caulk
- Cordless drill; 1/8" (3mm) bit and 3/8" (9mm) bit
- 16-gauge wire and waterproof crimp connectors
- Fuse holder (Attwood #14341) and 1-amp fuse

### INSTALLATION LOCATION

Transom Lights must be mounted:

- On the transom, exterior cabin bulkhead or superstructure. (Figure 1)
- As far aft as possible.
- On a vertical surface where the light will be unobstructed.
- So that light shines directly astern and horizontally when the boat is floating.

### INSTALLATION

1. To access light housing mounting holes, remove the bezel.
2. Place flat side of housing against a smooth vertical surface (see INSTALLATION LOCATION for proper position). (Figure 2)

**Important:** Before drilling, be sure that light will shine straight astern and within 5° of horizontal **when boat is floating**.

3. Use housing as a template to mark location of two mounting holes and a center hole for wire access.

**CAUTION:** Position wire access hole carefully, especially on aluminum boats, so that wires do not contact the hull.

4. Drill 3/8" (9mm) diameter hole for wire clearance and 1/8" (3mm) diameter holes for mounting screws (Figure 2). Vertical or horizontal screw mounting pattern may be used.
5. Bring one 16-gauge (+) and one (-) wire up through access hole DO NOT connect these wires to power until you read FINAL WIRING INSTRUCTIONS. (Figure 3)
6. Connect wires using waterproof crimp connectors.
7. Caulk mounting holes and wire access holes.
8. Fasten assembly with two #8 stainless steel panhead screws. DO NOT OVERTIGHTEN.

### FINAL WIRING INSTRUCTIONS

Connect to 12-Volt DC power source ONLY. All positive wires must be protected by a 1-amp fuse. Higher voltage or failure to make proper wire and fuse connections will void the product warranty. Use crimp type marine-grade connectors with suitable insulation.

1. Neatly thread wires to the switch, avoiding areas where abrasion or snagging may occur.
2. Use switch (Attwood #14386 or equivalent) that allows two-position ON/OFF/ON operation – one for running lights, and one for anchor lights. Attach wires with crimp-on butt joint connectors. Test lights for proper operation.

Figure 1

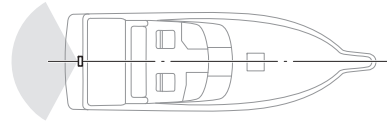


Figure 3

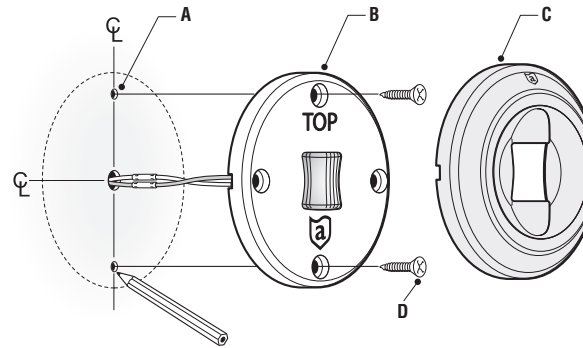


Figure 2  
 A. 1/8" (3mm) Diameter Holes  
 B. Housing  
 C. Bezel  
 D. Mounting Screws

Figure 3

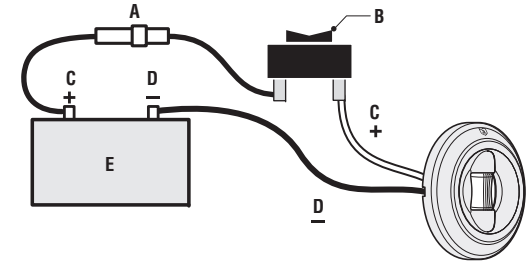


Figure 3  
 A. 1-Amp Fuse  
 B. 3-Way Switch  
 C. Pos.  
 D. Neg  
 E. 12V DC

Learn more about boat navigation lights we have.