



Stainless Steel Neat Cleat Installation Instructions

66515, 66517, 66519, 66816, 66819

SAVE THESE INSTRUCTIONS

Form Number 69372 Rev. E

05-05

This product carries a limited Lifetime Warranty.

APPLICATION

This Attwood Neat Cleat is intended for recreational applications only.

CAUTION

Read all instructions carefully before installing and using this product.

WARNING:

The Neat Cleat is not to be used for watercraft towing or lifting. Any misuse of the intended application will void the warranty and may result in personal injury and/or damage to the boat.

To prevent injury, remove boat from water when installing this product and before using 120V AC power tools.

REQUIRED FOR INSTALLATION

- Deep-socket wrench: 1-1/4" (32mm) for 4-1/2" and 6" Cleats; 1-1/2" (38mm) for 8" Cleat
- Hole saw (see chart below for size)
- Cordless drill
- 1/4" O.D. (6 mm) tubing, or marine speedometer tube
- Polyurethane marine sealant
- Thread sealant such as Loctite™ or Threadlocker™

NOTE: Attwood has stamped stainless steel backing plates available for applications that require additional strength. Product Numbers: 66529 for 4-1/2" Cleat (66515); 66531 for 6" Cleat (66517, 66816); 66533 for 8" Cleat (66519, 66819).

LOCATION

Select an installation location that meets the following criteria:

- Location on vessel must be able to withstand anticipated loads.
- If space allows, a 1/2" (13 mm) backing plate of marine plywood is recommended, if not included in hull lay-up.
- Maximum thickness of hull and backing plate (if used): 1" (25mm) for 4-1/2" and 6" Cleats; 1-1/2" (38mm) for 8" Cleat.
- Interior space beneath the Neat Cleat must allow clearance and access to the stanchion nuts, backing plate (if used), drainage receptacles, and tubing.

NEAT CLEAT INSTALLATION INSTRUCTIONS

NOTE: Before you drill or cut a hole in your boat, BE ABSOLUTELY CERTAIN there is room for the fasteners and backing plate (if used) below deck. (Figure 1)

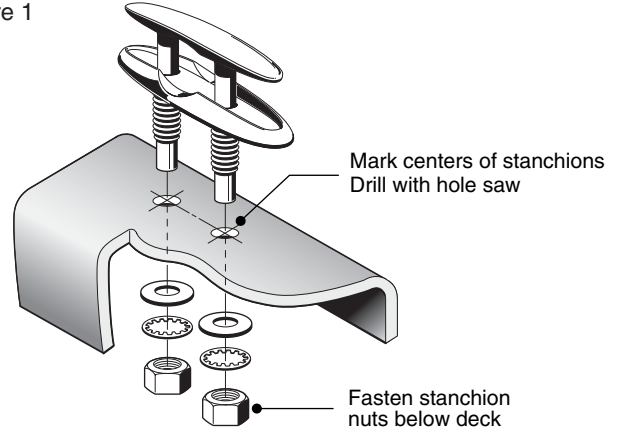


1. Remove drainage receptacles, stanchion nuts and washers. Set them aside.
2. Place bottom of stanchions against deck in intended position. Mark position of stanchions on the deck. (Figure 1)
3. Carefully mark centers of the stanchion positions. Chart shows proper distance between centers:

| Cleat Size | Distance Between Centers | Hole Saw Size |
|-------------------|--------------------------|-----------------|
| 4-1/2" (66515) | 1-3/4" (44.5mm) | 1" (25.4mm) |
| 6" (66517, 66816) | 2-1/4" (57.2mm) | 1" (25.4mm) |
| 8" (66519) | 2-13/16" (71.4mm) | 1-1/8" (28.6mm) |
| 8" (66819) | 2-1/2" (63.5mm) | 1-1/8" (28.6mm) |

4. At center marks, use a hole saw (see chart above for size) to cut holes for each stanchion.
5. Apply a small bead of marine sealant under the flange, then place Neat Cleat stanchions into the hole cutouts.
6. From inside the hull, fit backing plate (if used) and fasteners over the stanchions. To ensure nuts do not loosen over time Attwood recommends the use of a locking washer and thread sealant such as Loctite™ or Threadlocker™.
7. Use deep-socket wrench (see REQUIRED FOR INSTALLATION for size) to tighten nuts firmly. Do not damage transom or gelcoat by overtightening.

Figure 1



DRAINAGE RECEPTACLE INSTRUCTIONS

Small amounts of water can enter the stanchions when the cleat is up. The drainage receptacles are designed to lead this water to the bilge.

1. Press drainage receptacles cups onto ends of the stanchions. (Figure 2)
2. Insert the short tube (included) between the drainage receptacles.
3. Attach length of 1/4" drain tube to open end of drainage receptacle and run to bilge area.

Figure 2

