



Stainless Steel Thru-Hulls and Scupper Valve Installation Instructions

66540 - 66557, 66576 - 66579 and 67550-67580 Series

SAVE THESE INSTRUCTIONS

Form Number 69373 Rev G

08-03

WARNING:

Read all instructions carefully before installing and using this product. To prevent injury, remove boat from water when installing this product and before using 120V power tools.

The stainless steel Thru-Hull and Scupper Valve must be mounted above the boat's maximum water line as determined by the boat's draft at the maximum loading recommended by the boat manufacturer. On sailboats, mount the thru-hull high enough on the center of the transom to be above the water line at all times.

REQUIRED FOR INSTALLATION

- Expandable wrench (max. 2-1/2", 64mm)
- Hole saw (see chart for size)
- Cordless drill
- Polyurethane marine sealant

THRU-HULL INSTALLATION

Thru-Hull Part Number	Thread Length	Hose I.D.	Hole Saw Size	Max. Hull Thickness
66540-1	Short	5/8" I.D.	1-1/8"	5/8"
66546-1	Standard	5/8" I.D.	1-1/8"	1-1/16"
66541-1	Short	3/4" I.D.	1-1/8"	5/8"
66547-1	Standard	3/4" I.D.	1-1/8"	1-5/8"
66542-1	Short	1" I.D.	1-1/2"	5/8"
66548-1	Standard	1" I.D.	1-1/2"	1-3/4"
66543-1	Short	1-1/8" I.D.	1-1/2"	5/8"
66549-1	Standard	1-1/8" I.D.	1-1/2"	1-3/4"
66544-1	Short	1-1/4" I.D.	1-3/4"	5/8"
66550-1	Standard	1-1/4" I.D.	1-3/4"	1-7/8"
66545-1	Short	1-1/2" I.D.	2"	5/8"
66551-1	Standard	1-1/2" I.D.	2"	1-7/8"
66552-1	Standard	2"	2-1/2"	2"

90° Thru-Hull Part Number

66576-1	Standard	5/8" I.D.	1-1/4"	1-1/16"
66577-1	Standard	3/4" I.D.	1-1/4"	1-1/16"
66578-1	Standard	1" I.D.	1-5/8"	1-1/4"
66579-1	Standard	1-1/8" I.D.	1-5/8"	1-1/4"

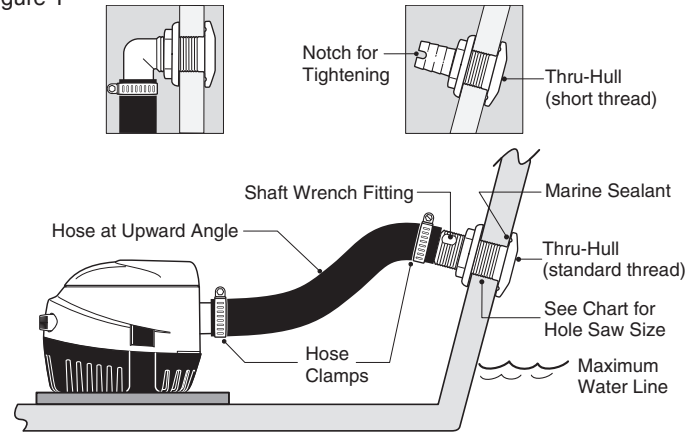
Narrow-Flange Thru-Hull Part Number

67555-1	Standard	5/8" I.D.	1-5/16"	7/8"
67554-1	Standard	3/4" I.D.	1-5/16"	3/4"
67556-1	Standard	1" I.D.	1-5/16"	7/8"
67557-1	Standard	1-1/8" I.D.	1-5/16"	3/4"
67551-1	Standard	1-1/2" I.D.	2"	1"
67558-1	Long	3/4" I.D.	1-5/16"	2-1/2" (min.1-9/16")
67562-1	Long	1-1/2" I.D.	1-15/16"	2-1/2" (min.1-9/16")
67561-1	Long	1-1/8" I.D.	1-5/16"	2-1/2" (min.1-9/16")

Mount Thru-Hull in the transom or side of hull, at least 12" (305mm) above maximum water line. If possible, place fitting on the same side as the steering wheel so the driver can see discharge of water when the pump is working properly.

1. Use a hole saw (see chart above for size – check against thru-hull) to cut hole in the transom or hull. (See Figure 1)

Figure 1



2. Remove tightening nut. Apply a small bead of marine sealant in the groove under the Thru-Hull flange.
3. Place Thru-Hull into the hole. After this point, all connections may be made from inside the hull.
4. Place tightening nut onto threads, with wide side toward hull. Tighten firmly, but do not damage gelcoat by overtightening. To prevent turning, grip the Shaft Wrench Fitting (on Standard Thread models) or the Notched End (on Short Thread models).
5. Lead hose from bilge pump to Thru-Hull at an upward angle. Fasten tightly at both ends with hose clamps.

SCUPPER VALVE INSTALLATION

Scupper Valve Part Number	Thread Length	Hose I.D.	Hole Saw Size	Max. Hull Thickness
66557-1	Short	1-1/2" I.D.	2"	1-7/8"
66553-1	Standard	1-1/2" I.D.	2"	3"
66555-1	Standard	2" I.D.	2-1/2"	2"
67553-1	Standard	1-1/2" I.D.	2-1/8"	2-3/4"
67581-1	Standard	1-1/2"	2-3/8"	1-1/8"
67580-1	Standard	2"	2-3/8"	1-1/8"
67583-1	Standard	2-1/2"	3-5/8"	1-1/2"
67582-1	Standard	3"	3-5/8"	1-1/2"

The Attwood Stainless Steel Scupper Valve is designed for boats with a self-bailing cockpit. The flapper valve opens outward to allow water to exit and automatically closes to help prevent backwash from entering the cockpit. Mount Scupper in the transom at least 12" (305mm) above maximum water line.

1. Use a hole saw (see chart above for size - check against scupper) to cut hole in the transom or hull. (See Figure 2.)
2. Remove tightening nut. Apply a small bead of marine sealant in the groove under the Scupper flange.
3. Place Scupper Valve into the hole. After this point, all connections may be made from inside the hull.
4. Place tightening nut onto threads, with wide side toward hull. Tighten firmly, but do not damage gelcoat by overtightening. To prevent turning, grip the Shaft Wrench Fitting with an expandable wrench.
5. Lead hose (see chart above for size) from cockpit to Scupper at a downward angle. Fasten tightly at both ends with hose clamps.

Figure 2

