

attwood[®]

Two-Position Pull Switch 7563

Installation Instructions

Attwood marine hardware, navigational lighting, bilge pumps, and other marine accessories are specified more than any other brand by America's best-known boat manufacturers as original equipment. Look to Attwood for quality replacement parts and marine accessories.

SAVE THESE INSTRUCTIONS

Form Number 69308 Rev. A

03-10

REQUIRED FOR INSTALLATION

- Drill with $\frac{3}{8}$ " (10mm) dia. bit.
- Slotted screwdriver.
- Pliers.

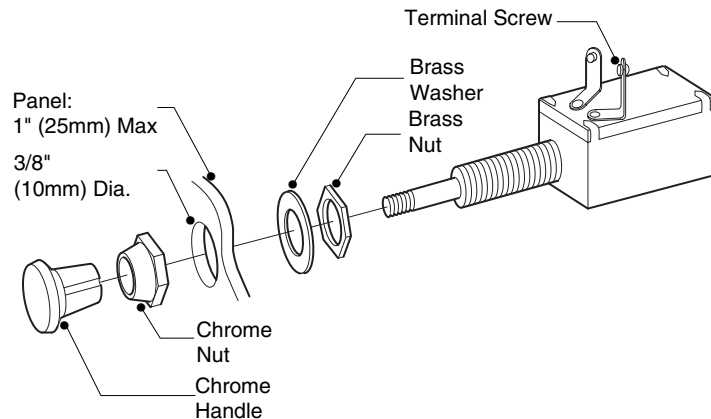
APPLICATION

- Install switch in dashboards or panels up to 1" (25mm) thick.
- Switch requires $1\frac{1}{4}$ " (31mm) depth behind panel.
- Rated load is 20 amps.

MOUNTING INSTRUCTIONS

1. Bring power source wire and switched wire to panel. Attach wires to terminal screws.
2. Remove chrome handle and nut from shaft.
3. In desired location, drill $\frac{3}{8}$ " (10mm) dia. hole through panel. From inside panel, insert shaft through hole.
4. Tighten chrome nut and handle onto end of shaft. From inside, tighten brass nut and washer against panel.

Figure 1



Discover other boat parts & hardware on our website.