

attwood®

Battery Hold-Down Tray

9092, 9093

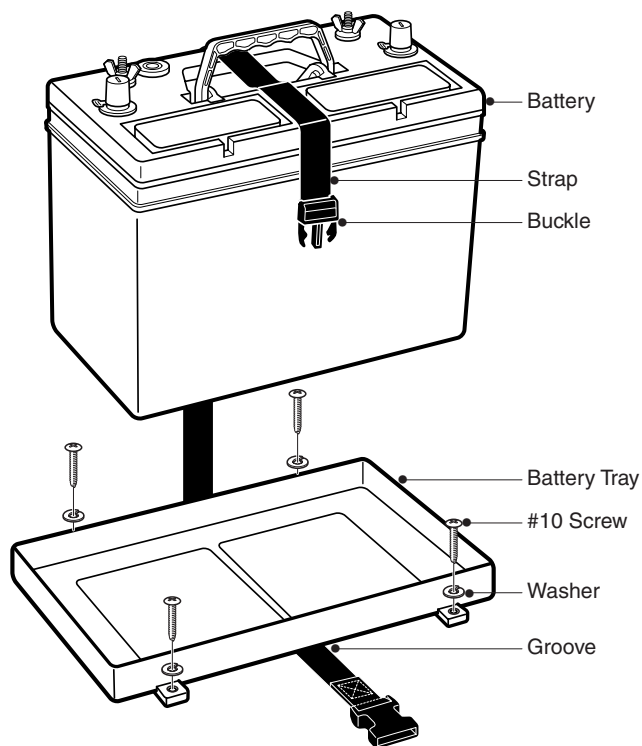
Installation Instructions

Attwood marine hardware, navigational lighting, bilge pumps, and other marine accessories are specified more than any other brand by America's best-known boat manufacturers as original equipment. Look to Attwood for quality replacement parts and marine accessories.

SAVE THESE INSTRUCTIONS

Form Number 69347 Rev. B

03-10



TOOLS AND MATERIALS REQUIRED FOR INSTALLATION:

- Drill and a suitable drill bit
- Four #10 stainless steel wood/sheet metal pan-head screws
- Four #10 stainless steel flat washers
- Screwdriver

MOUNTING INSTRUCTIONS

CAUTION

Battery must be located in a well-ventilated area to prevent buildup of explosive gasses. To prevent acid burns, locate in an area away from casual contact.

1. Determine a suitable location for the battery tray, making sure there is enough room to work.
2. Using the battery tray as a template, mark the location of the screw holes.
3. Drill four pilot holes for the screws. Do not drill through the bottom of the boat.
4. Place the strap in the groove under the tray.
5. Fasten down the tray using the #10 screws and washers.
6. Place the battery into the tray.
7. Fasten buckle over battery.
8. Pull strap ends to secure battery in tray.
9. Make the proper battery connections. The positive terminal should be insulated to prevent accidental shorting.

To remove battery—unsnap buckle.

Attwood Battery Hold-Down Tray are designed to be used with standard batteries (24/24M and 27/27M Series). The tray is made of non-corrosive, heavy duty black plastic.

Meets ABYC Standard E-10 and U.S. Coast Guard requirements.

ATTWOOD LIMITED WARRANTY

This limited warranty is not applicable if the product has been damaged by accident, improper installation, unreasonable or improper use, lack of proper maintenance, unauthorized repairs or modifications, normal wear and tear, or other causes not arising out of defects in materials or workmanship.

Attwood products are warranted for use on pleasure boats. Any other use — including but not limited to commercial, racing, or non-marine use — are not covered under this warranty. Attwood's obligation under this warranty is limited to repair of the product at Attwood's plant or replacement of the products at Attwood's option without expense to the original consumer purchaser. Any expenses involved in the removal, reinstallation or transportation of the product are not covered by this warranty.

The product must be returned to Attwood's plant at the address above, postage prepaid, and insured with proof of original purchase including date. If Attwood is unable to replace the product and repair is not commercially practical or cannot be timely made, or if the original consumer purchaser is willing to accept a refund in lieu of repair or replacement, Attwood may refund the purchase price, less an amount for depreciation. The acceptance by Attwood of any product returned or any refund provided by Attwood shall not be deemed an admission that the product is defective or in violation of any warranty. Products that are replaced or for which a refund is issued become the property of Attwood.

THIS WARRANTY IS ATTWOOD'S ONLY EXPRESS WARRANTY OF THIS PRODUCT. NO IMPLIED WARRANTY SHALL EXTEND BEYOND ONE (1) YEAR FROM THE DATE OF ORIGINAL CONSUMER PURCHASE. ATTWOOD SHALL NOT BE LIABLE FOR ANY DAMAGES FOR LOSS OF USE OF THIS PRODUCT, NOR FOR ANY OTHER INCIDENTAL OR CONSEQUENTIAL DAMAGES, COSTS OR EXPENSES.

Some states do not allow limitations on how long an implied warranty lasts or the exclusion or limitation of incidental or consequential damages, so the above limitations and exclusions may not apply to you. This warranty gives you specific legal rights, and you may have other rights which vary from state to state.

Discover other marine electronics & navigation on our website.