



Stowaway Light Base

911339 (2-Wire)

911639 (3-Wire)

Installation Instructions

Attwood marine hardware, navigational lighting, bilge pumps, and other marine accessories are specified more than any other brand by America's best-known boat manufacturers as original equipment. Look to Attwood for quality replacement parts and marine accessories.

SAVE THESE INSTRUCTIONS

Form Number 69230 Rev. D

03-10

FEATURES:

This base is designed for use with the Attwood 7100 Series All-Round Lights and Attwood Combination Sidelights with an angled pole.

For 12-volt D.C. only.



CAUTION:

To prevent personal injury, always disconnect the power source when installing or servicing this product. Always remove the boat from the water before using 120V AC power tools.

INSTALLATION INSTRUCTIONS:

NOTE: For technical detailed positioning follow the standards of navigation rules. Below (see Figure 1) are simplified drawings of placement of navigational lights in relationship to one another.

Figure 1

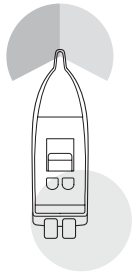
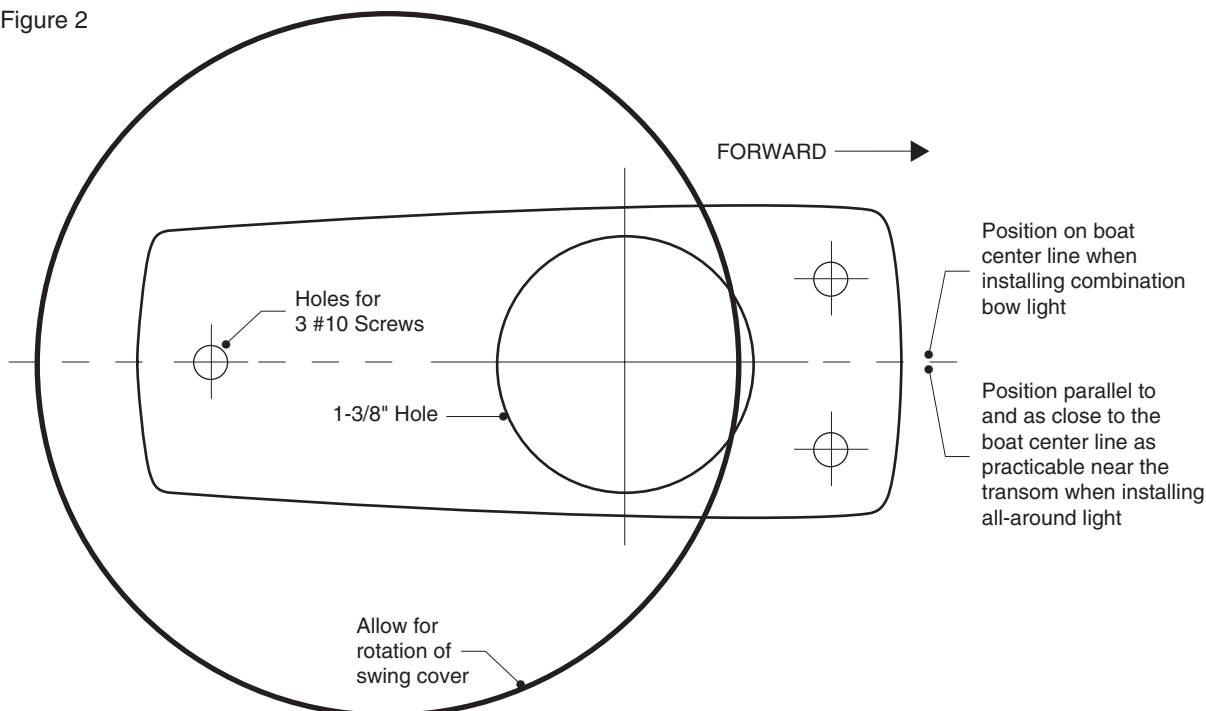


Figure 2



1. Position the light base either on the bow for combination sidelights or the stern for all-round lights. Be sure that the mounting surface is flat and that the selected area will accommodate the base dimensions.
2. Using the template provided (see Figure 2), locate the base center line parallel to the boat fore-and aft center line and carefully mark the center installation hole and the three screw holes. Drill 1-3/8" diameter hole being very careful not to crack or break the gelcoat finish around the edge of the hole. Drill the three screw holes. Ensure no burrs are left around 1-3/8" hole.

NOTE: On some installations you may have to connect the wires then push them back through wire hole prior to screwing down the base.

3. Apply sealant between deck and light base. Fasten base in place with three stainless steel screws.



CAUTION: DO NOT OVERTIGHTEN SCREWS.

4. Wire as follows:

A. **911339 (2-wire base):** Connect one black wire to the battery ground (-) harness, using a crimp-on wire connector. Attach the remaining black wire to the positive switched wire from the navigation light switch.

B. **911639 (3-wire base):** Connect black wire to the battery ground (-) harness, using a wire connector. Connect the solid gray wire to the wire from the switch for the anchor, courtesy, or navigation light (depending on the light being used). Use a wire connector to make the connection. Connect the black/gray wire to the wire from the switch for the navigation, courtesy, or running lights (depending on which light is used) using a wire connector.

NOTE: Follow instructions for specific light being used in this base for wire connections.

C. All positive wires must be fused to protect the circuit. Tape connections for added safety. **MAKE SURE POWER SOURCE IS 12-VOLT D.C. ONLY. HIGHER VOLTAGE CAN CAUSE DAMAGE TO LIGHT AND WIRE CIRCUITRY.**

5. Check the base function by first rotating the cover 90°, exposing the hole for the pole. Insert the light pole into the socket and lock in place by rotating cover 90°. Turn navigation running lights on to make certain they function properly. Turn anchor or courtesy switch on and make certain light works properly. Remove the pole by rotating the cover 90° and, once pole is removed, rotate the cover 90° forward to cover the hole, to keep dust and dirt out.