



All-Round Light

5120 Series Frosted Globe & 5350 Series Anti-Glare Fold-Down and Fixed Base Lights

Installation Instructions

SAVE THESE INSTRUCTIONS

Form Number 69413 Rev. B

04-12

Lights meet USCG CFR 183.810, ABYC A-16 requirements, and all applicable standards as tested by Immana Labs, 12/20/02 (Series 5100) and 7/19/02 (Series 5300). 2 Nautical Mile visibility. Use Lamp 9235, #906 13V, 6 Candle Power.

CAUTION

Read all instructions carefully before installing and using this product. All positive (+12V DC) lighting wires require a 1-amp fuse to protect circuits and vessel. The aluminum light pole is not grounded. **MAKE SURE POWER SOURCE IS 12-VOLT DC ONLY. HIGHER VOLTAGE WILL DAMAGE LIGHT AND CIRCUITRY.**

WARNING

To prevent injury, disconnect power when installing or servicing this product. Remove boat from water before using 120V power tools.

REQUIRED FOR INSTALLATION

- Cordless drill; 1/8" and 3/8" (3 and 10mm) bits
- Marine-grade non-silicone sealant
- Phillips screwdriver
- Two #10 pan head stainless steel screws
- 3-position switch (OFF/ON/ON)
- Fuse holder and fuse: 1-amp
- 16-gauge wire
- Appropriate marine-grade wire connectors

MOUNTING LOCATION

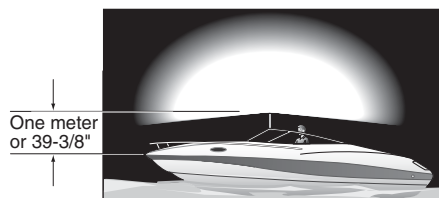
Frosted Globe All-Round Lights are designed for boats up to 39.4 feet (12m). Position the All-Round Light so its bulb is not less than one meter (39.4") above sidelights (Figure 1). If replacing an existing pole light, replace with a pole at least as long as the existing pole.

Anti-Glare All-Round Lights are designed for boats up to 39.4 feet (12m). It provides 360 degree controlled light output and 2-mile visibility while shielding the driver from on-board glare (Figure 1). Position the All-Round Light so its bulb is not less than one meter (39.4") above sidelights. If replacing an existing pole light, replace with a pole at least as long as the existing pole.

Mount the anti-glare light in a position so that:

- Light output is flat and parallel to water when boat is floating.
- Light shines 360°, unobstructed.
- Light does not shine on operator, or reflect off any part of the boat in the operator's field of vision.

Figure 1



INSTALLATION INSTRUCTIONS

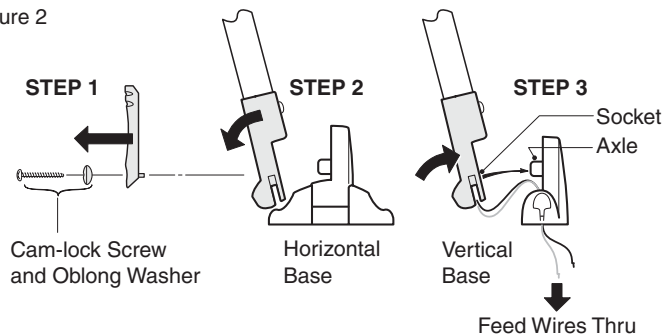
Bases are available for mounting on vertical or horizontal surfaces. Release the cam-lock adjustment handle to fold light or adjust to vertical position.

Change Base Type (If Required) on Fold-Down Base

Packaged versions of the light are shipped with the horizontal base installed. To switch to the vertical base:

1. Carefully remove the cam-lock screw and oblong washer. Set aside for reinstallation (Figure 2).
2. Pivot the base axle out of its socket. Note position of the 2 wires in the base slot. Remove the horizontal base.
3. Insert wires through slot of the vertical base. Reassemble in reverse order.

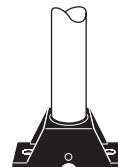
Figure 2



Mark Position for Fixed Base Light, (Figure 3)

1. Place light in selected position.
2. Using the base as a template, mark the two mounting hole locations and one wire access hole. Proceed to "Install Light" below.

Figure 3



Mark Position for Fold-Down Light

1. Release cam-lock adjustment handle and adjust light to vertical position. (Figure 4)
2. Place light in selected position.
3. Use optional adaptors, if necessary, to allow installation on angled windshields.
4. Using the base as a template, mark the two mounting hole locations and one wire access hole. (Figure 5) Proceed to "Install Light" below.

Figure 4

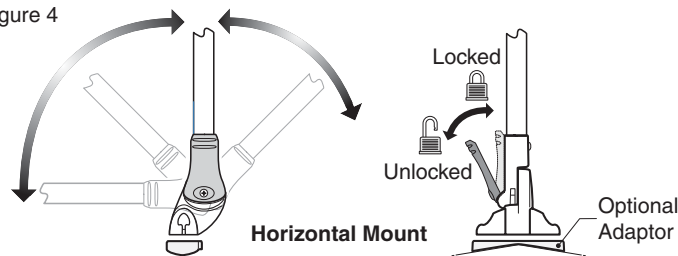
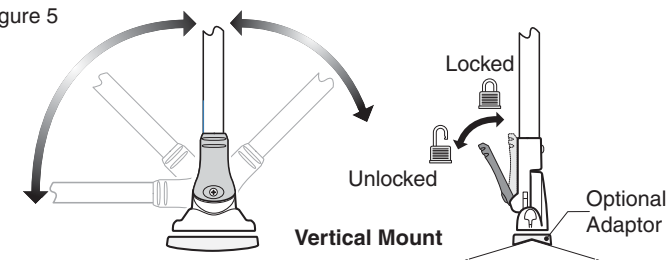


Figure 5



Install Light

CAUTION

Position wire access hole carefully, especially on aluminum boats, so that wires do not contact the hull.

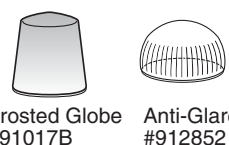
1. Remove light from marked position. Drill two 1/8" (3mm) pilot holes for #10 screws. Drill one 3/8" (10mm) wire access hole.
2. Bring the two 16-gauge wires up through access hole.
3. Use marine-grade waterproof crimp connectors to connect gray wire to positive lead from 3-position switch. Connect (-) negative source to black wire and route to (-) negative terminal on battery.
4. Fasten light to deck with two #10 stainless steel pan head screws. DO NOT OVERTIGHTEN.

Replacing Bulb

1. Unscrew lens counter-clockwise and remove. Pull bulb straight up.
2. Replace with #906 9-Watt Wedge Base Replacement Bulb (Attwood 9235-7) available in marine, auto, and convenience stores.
3. Screw lens clockwise onto pole.
4. If lens requires replacement, order Attwood #91017B for Frosted Globe Lights and #912852 for Anti-Glare Lights (Figure 6).

Clean the light with a mild soap and warm water solution. Never use solvents or abrasives that may damage the lens or housing of the light.

Figure 6



Frosted Globe #91017B

Anti-Glare #912852