



Drink Holder

Installation Instructions

Attwood marine hardware, navigational lighting, bilge pumps, and other marine accessories are specified more than any other brand by America's best-known boat manufacturers as original equipment. Look to Attwood for quality replacement parts and marine accessories.

Form Number 69275 Rev. B

03-10

Required for Installation

- Drill with 1/8" bit
- Four #10 stainless steel flathead screws (sold separately)

Figure 1

1. Open the cover and flip both holder rings up.
2. Position the drink holder on the desired flat surface, holder rings on top.
3. Using the four mounting holes as a template, mark pilot holes.
4. Drill four pilot holes.
5. Attach drink holder with four #10 stainless screws.

Figure 1

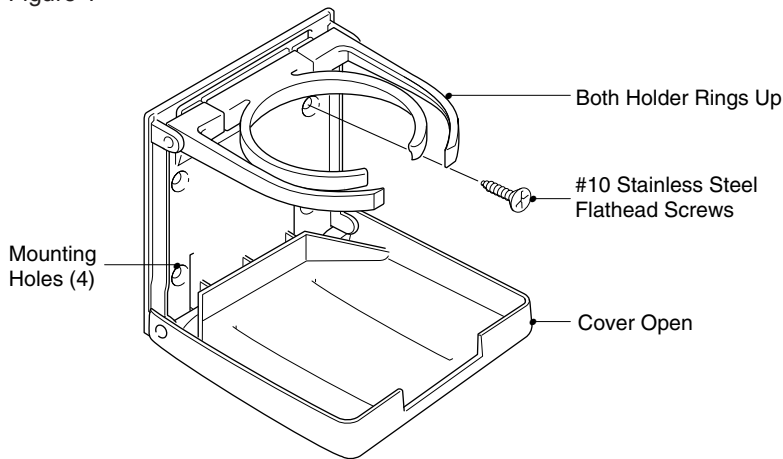


Figure 2

Holder rings flip up and down individually for different container sizes.

Figure 2

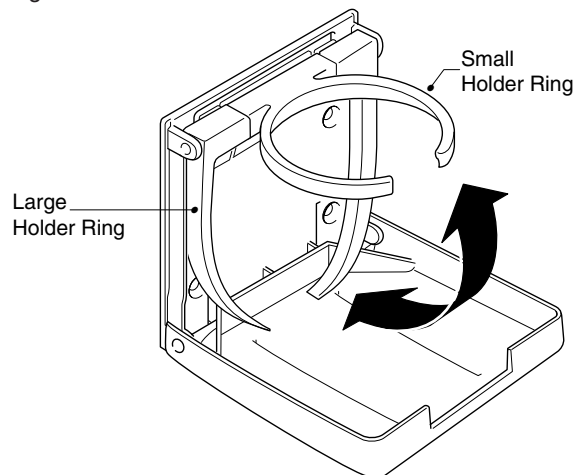


Figure 3

Flip small ring up, large ring down to hold 12 oz. can or small cup.

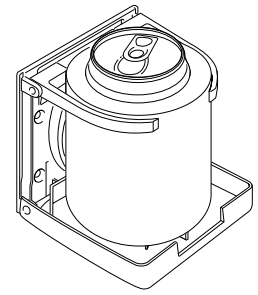
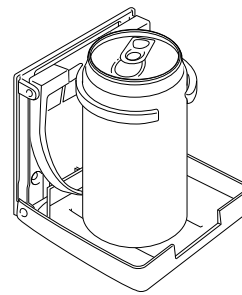
Figure 4

Flip large ring up, small ring down to hold beverage cooler, mug, or large cup.

When not in use, flip both rings down and close cover.

Figure 3

Figure 4



Dimensions

| | |
|----|-----------------|
| A. | 4-9/16" |
| B. | 4-5/8" |
| C. | 3-1/16" |
| D. | 1-7/8" |
| E. | (Closed) 15/16" |
| F. | (Open) 4-3/4" |

