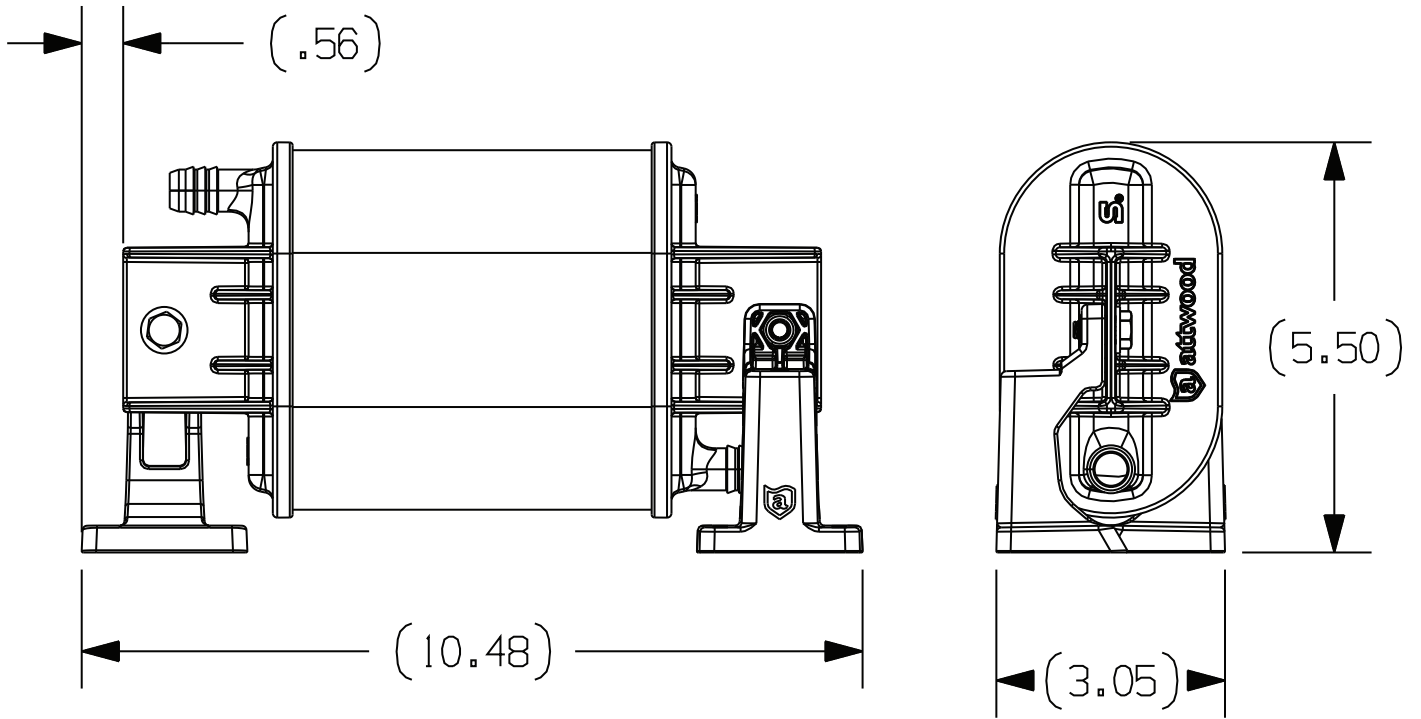
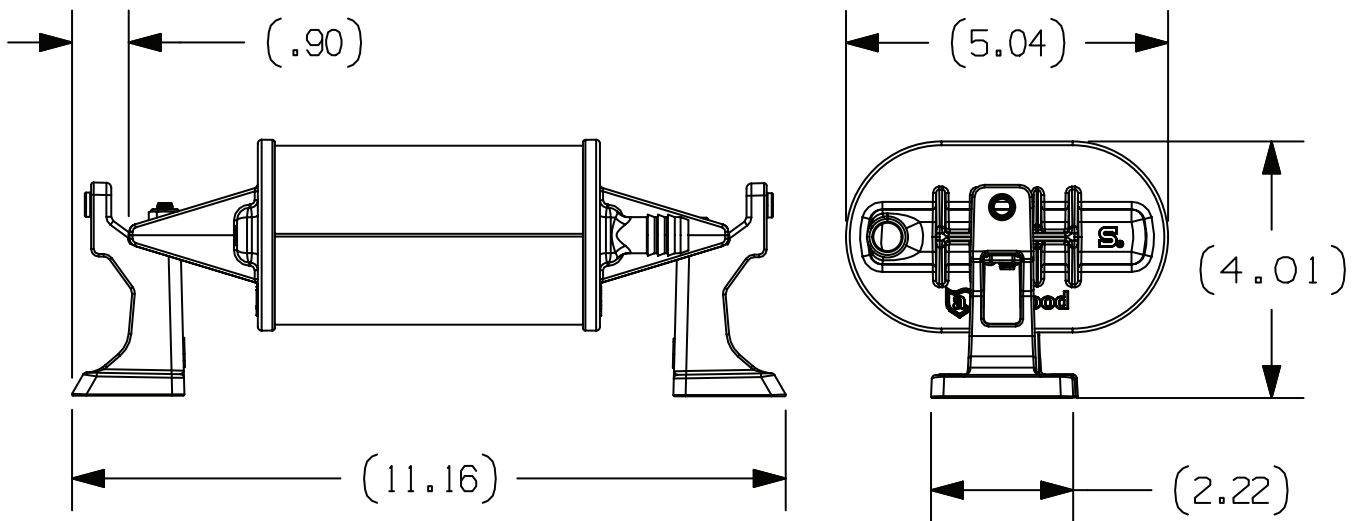


99CC045

Trailerable Vessel Capacity	Trailerable Vessel EPA Evap Family	Non-trailerable Vessel Capacity	Non-trailerable Vessel EPA Evap Family	EPA Code
70 Gallons	CATWPMDRN212	110 Gallons	CATWPMDRN222	EPA-ATW-212



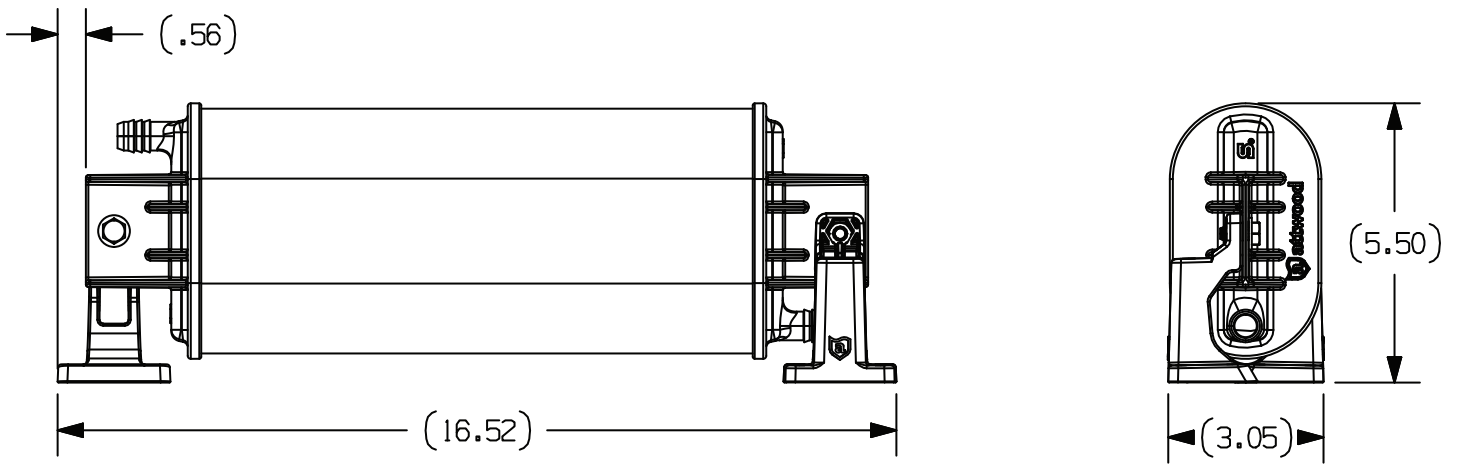
VERTICAL MOUNT



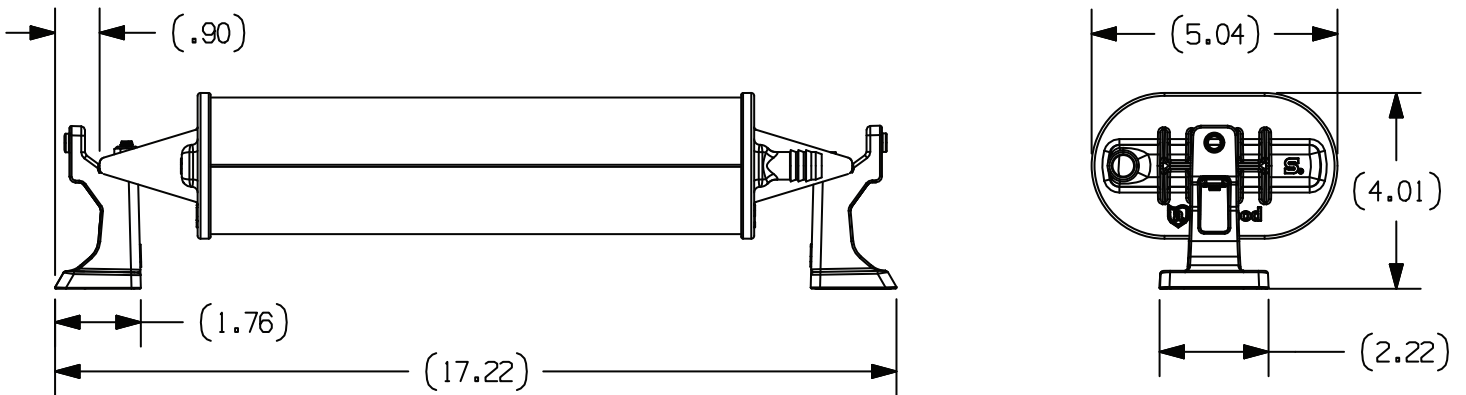
HORIZONTAL MOUNT

99CC085

Trailerable Vessel Capacity	Trailerable Vessel EPA Evap Family	Non-trailerable Vessel Capacity	Non-trailerable Vessel EPA Evap Family	EPA Code
220 Gallons	CATWPMDRN212	350 Gallons	CATWPMDRN222	EPA-ATW-212



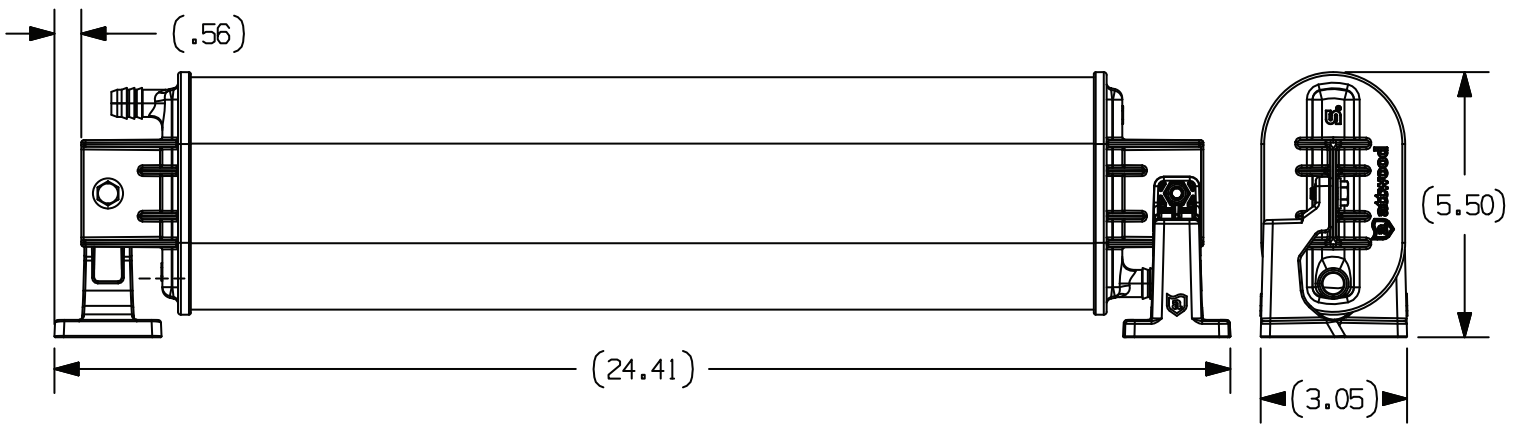
VERTICAL MOUNT



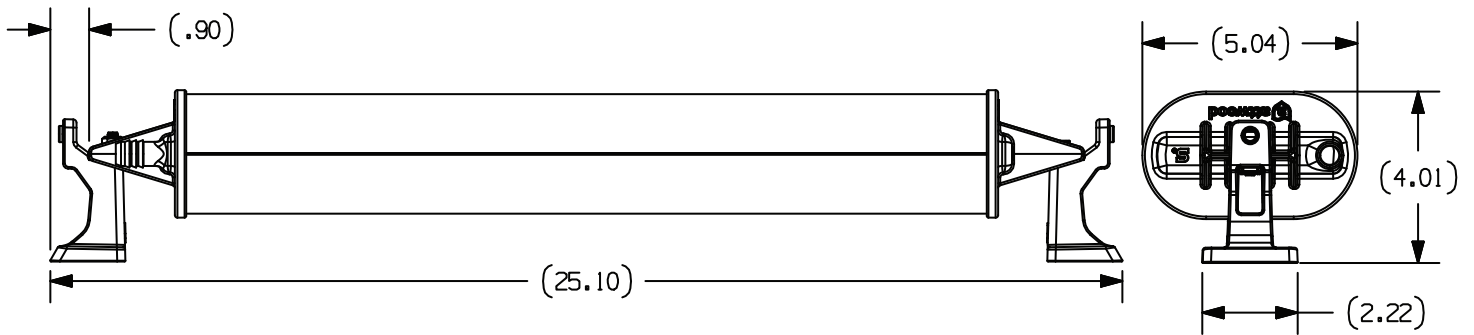
HORIZONTAL MOUNT

99CC150

Trailerable Vessel Capacity	Trailerable Vessel EPA Evap Family	Non-trailerable Vessel Capacity	Non-trailerable Vessel EPA Evap Family	EPA Code
420 Gallons	CATWPMDRN212	660 Gallons	CATWPMDRN222	EPA-ATW-212



VERTICAL MOUNT



HORIZONTAL MOUNT