



# NV6LC1 / NV6SP1

## 2 NM NAVIGATION LIGHTS

### BI-COLOR POLE LIGHT, LED, 12VDC

SAVE THESE INSTRUCTIONS

Form number 69577 Rev. A

12/2016

#### 2 NM BI-COLOR COMBINATION BOW LIGHT

- For boats up to 20 meters / 65.6 feet in length
- Meets USCG CFR 183.810, ABYC A-16 and all applicable standards as tested by Imanna Laboratories and ISO19009 requirements
- 2 nautical mile visibility
- Impact resistant, UV stable polycarbonate housing

**CAUTION** MAKE SURE POWER SOURCE IS 12-VOLT DC ONLY. HIGHER VOLTAGE WILL DAMAGE LIGHT AND CIRCUITRY.

**CAUTION** Read all instructions carefully before installing and using this product. All positive (+12V DC) lighting wires require a 1-amp fuse to protect circuits and vessel. The aluminum light pole is not grounded.

**WARNING** To prevent personal injury, disconnect power when installing or servicing this product. Remove boat from water before using any 120V AC power tools.

#### LOCATION

Lights must be mounted to an unobstructed smooth surface on the gunwale, deck or superstructure. Locate Bi-color Combination Light in an area as far forward as possible. (Figure 1)

#### INSTALLATION

All positive (+12V DC) wires must be fused to protect your circuits and vessel. The Bi-color navigation light requires a 1-amp fuse. The aluminum pole is not connected to an electrical ground (Figure 2). Regulations require lights to be operated with a three-position switch for running lights (bow lights and all-round light) and anchor lights (all-round light only).

#### BASES THAT DO NOT USE LOCKING COLLARS (NV6SP1)

1. Align pole screw with the slot (or locking spring) in the existing base. Insert pole into base (Figure 2).
2. Press down firmly to engage electrical connectors. With Easy Lock base, be sure locking spring clicks over pole screw.
3. To remove:
  - Pull locking spring back (on Easy Lock Base)
  - Pull pole straight up.

#### BASES THAT USE LOCKING COLLARS (NV6LC1)

1. Align pole screw with the slot (or locking spring) in the existing base. Insert pole into base (Figure 3).
2. Press down firmly to engage electrical connectors.
3. Slide locking collar down to base, rotate clockwise until threads are fully engaged

**NOTE:** Periodically check pole to make sure it is secure.

4. To remove:
  - Rotate locking collar in counter clockwise direction until it loosens
  - Pull pole straight up

After installation, check lights to verify proper operation.

#### BASE WIRING

**IMPORTANT** LED-based lights **MUST** be wired for correct polarity (Figure 4). If your light does not function after installation, the light base may require re-wiring.

To re-wire if necessary:

1. Unscrew or remove the base so you can reach wiring.
2. Locate the connection between base wiring and the boat's wiring harness.
3. Cut wires. Add waterproof splice to each wire end.
4. Reverse polarity by reversing original wire connection to the wire harness.
5. Temporarily plug light into the base to check operation.
6. Remove light and reinstall base.

**NOTE:** Navigation light poles are designed to support only the light. They should never be used as flag poles or handles.

#### MAINTENANCE

When not in use, store in Pole Light Storage Clips (Attwood part #7571). Choose a storage location where light will not be damaged or be in constant contact with water.

Figure 1

- A. Red (Port)
- B. Green (Starboard)

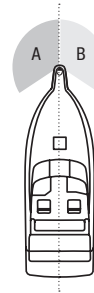


Figure 2

- A. Pole Screw
- B. Locking Spring

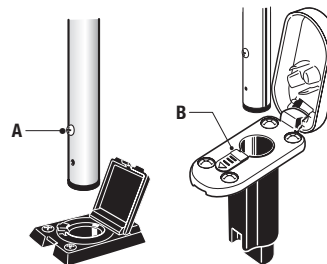


Figure 3

- A. Locking Collar
- B. Threads
- C. Screw

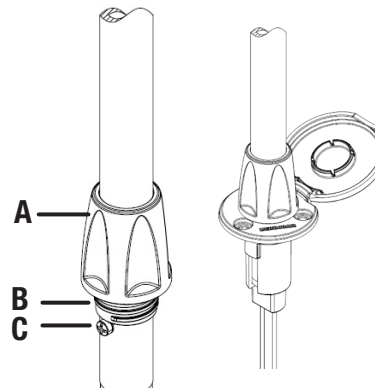
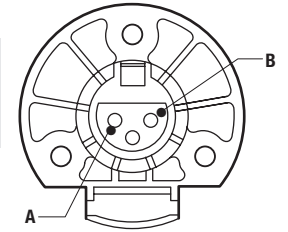


Figure 4

- A. Black to negative 12 volt
- B. Gray to positive 12 volt navigation light switch with fuse





# NV6LC2 / NV6SP2

## 2 NM NAVIGATION LIGHT

### BI-COLOR POLE LIGHT, LED, TASK LIGHT, 12VDC

SAVE THESE INSTRUCTIONS

Form number 69578 Rev. A

12/2016

#### 2 NM BI-COLOR COMBINATION BOW LIGHT

- For boats up to 20 meters / 65.6 feet in length
- Meets USCG CFR 183.810, ABYC A-16 and all applicable standards as tested by Imanna Laboratories and ISO19009 requirements
- 2 nautical mile visibility
- Impact resistant, UV stable polycarbonate housing

**CAUTION** MAKE SURE POWER SOURCE IS 12-VOLT DC ONLY. HIGHER VOLTAGE WILL DAMAGE LIGHT AND CIRCUITRY.

**CAUTION** Read all instructions carefully before installing and using this product. All positive (+12V DC) lighting wires require a 1-amp fuse to protect circuits and vessel. The aluminum light pole is not grounded.

**WARNING** To prevent personal injury, disconnect power when installing or servicing this product. Remove boat from water before using any 120V AC power tools.

#### LOCATION

Lights must be mounted to an unobstructed smooth surface on the gunwale, deck or superstructure. Locate Bi-color Combination Light in an area as far forward as possible. (Figure 1)

#### INSTALLATION

All positive (+12V DC) wires must be fused to protect your circuits and vessel. The Bi-color navigation light requires a 1-amp fuse. On a separate circuit, the task light also requires a 1-amp fuse. The aluminum pole is not connected to an electrical ground (Figure 4). Regulations require lights to be operated with a three-position switch for running lights (bow lights and all-round light) and anchor lights (all-round light only).

#### BASES THAT DO NOT USE LOCKING COLLARS (NV6SP2)

1. Insert pole into base, aligning screw with slot in base.
2. Press down firmly to engage electrical connectors.
3. To remove, pull pole straight up.

#### BASES THAT USE LOCKING COLLARS (NV6LC2)

1. Insert pole into base, aligning screw with slot in base.
2. Press down firmly to engage electrical connectors.
3. Slide locking collar down to base, rotate clockwise until threads are fully engaged.

**NOTE:** Periodically check pole to make sure it is secure.

4. To remove:
  - Rotate locking collar in counter clockwise direction until it loosens (Figure 3)
  - Pull pole straight up

After installation, check lights to verify proper operation. Navigation rules require sidelights to be operated separately from anchor lights. Use either two switches or one switch with three positions for off/anchor/running.

Check the task light by pressing on switch at rear of light to turn task light on (Figure 2).

**NOTE:** Navigation light poles are designed to support only the light. They should never be used as flag poles or handles.

#### BASE WIRING

For proper operation, wire the base as directed in Figure 4.

**IMPORTANT** LED-based lights **MUST** be wired for correct polarity (Figure 4). If your light does not function after installation, the light base may require re-wiring.

To re-wire if necessary:

1. Unscrew or remove the base so you can reach wiring.
2. Locate the connection between base wiring and the boat's wiring harness.
3. Cut wires. Add waterproof splice to each wire end.
4. Reverse polarity by reversing original wire connection to the wire harness.
5. Temporarily plug light into the base to check operation.
6. Remove light and reinstall base.

**NOTE:** Navigation light poles are designed to support only the light. They should never be used as flag poles or handles.

#### MAINTENANCE

Figure 1

- A. Red (Port)
- B. Green (Starboard)

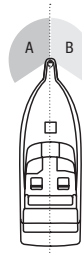


Figure 2

- A. Tell tale indicators
- B. Lens helmet
- C. LED Task light bulb
- D. Power on / off

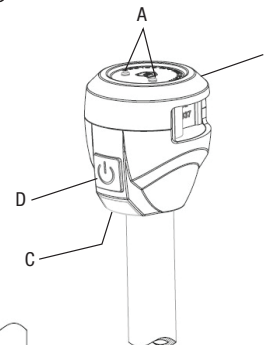


Figure 3

- A. Locking Collar
- B. Threads
- C. Screw

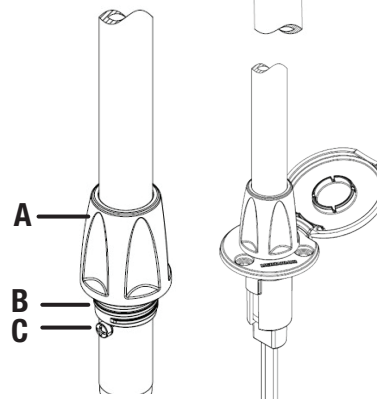
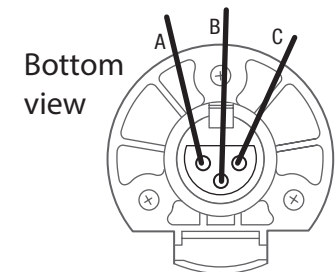


Figure 4

- A. Blue wire to task light +12 VDC (1-amp in-line fuse)
- B. Black wire to ground (negative)
- C. Grey wire to navigation light +12 VDC (1-amp in-line fuse)



When not in use, store in Pole Light Storage Clips (Attwood part #7571). Choose a storage location where light will not be damaged or be in constant contact with water.