



PULSAR™ 12-Volt Navigation Lights

All-Round Lights: 5940, 5980
Sidelights: 5040, 5045, 5080

Installation Instructions

SAVE THESE INSTRUCTIONS

Form Number 69379 Rev. B

03-10

FEATURES

The Attwood Pulsar Navigation Lights are designed for boats upto 39.6 ft. (12 meters). They feature impact resistant, UV-stable polycarbonate housings. The lens completely encloses the bulb and socket for a splash resistant seal. Lights meet USCG CFR 183.810, ABYC A-16 requirements, and all applicable standards as tested by Imanna Labs, March 1997. 5040, 5045, and 5080 are Sidelights with 1 Nautical Mile visibility. 5940 and 5980 are All-Round Lights with 2 Nautical Mile visibility. All use Lamp 9235, #906, 13V, 6 Candle Power.

REQUIRED FOR INSTALLATION

- Cordless drill with 1/8", 3/8", and 3/4" (3, 10, and 19mm) bits.
- Screwdriver.
- Two #8 or #10 stainless pan head screws per light.
- Non-silicone sealant.

⚠ WARNING:

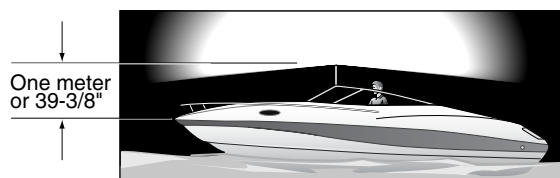
To prevent personal injury, disconnect the power source when installing or servicing this product. Always remove the boat from the water before using 120V AC power tools.

LOCATION (All-Round Lights)

All-Round Lights must be mounted a minimum of 1 meter above the sidelights, on a smooth surface where the 360° beam will not be obstructed. Light must not shine on operator or on anything in operator's field of view. (Figure 1)

Important: Before drilling mounting holes, be sure that light shines within 5° of horizontal **when the boat is floating.**

Figure 1

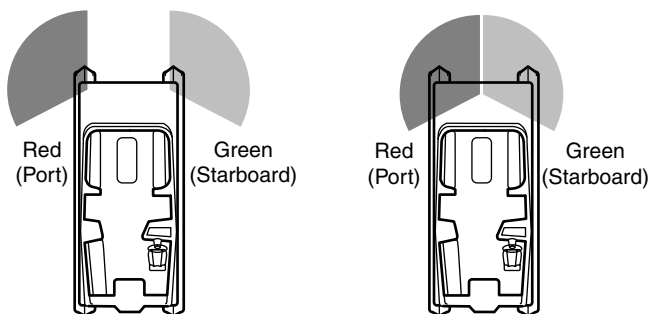


LOCATION (Sidelights)

Mount sidelights to a smooth surface on the gunwale, deck or superstructure where the light beam will not be obstructed. Position Bi-Color combination light as far forward as possible. (Figure 2)

Important: Before drilling mounting holes, be sure sidelights shine straight ahead and that they shine within 5° of horizontal **when the boat is floating.**

Figure 2



INSTALLATION, DECK MOUNT

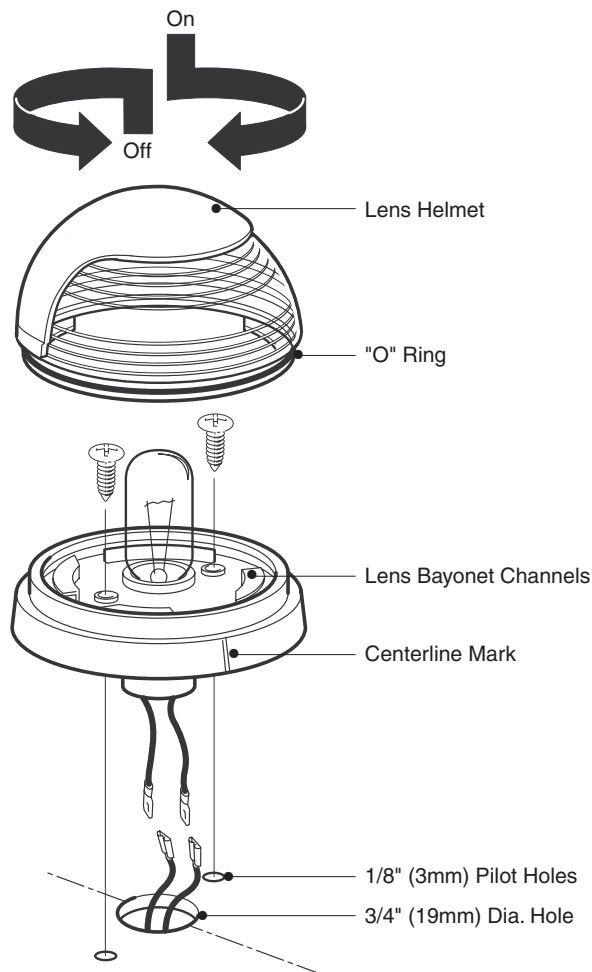
All-Round Lights

1. To access mounting holes, gently twist lens helmet counterclockwise to remove.
2. Place light in position as shown in Figure 1.
Important: Before drilling, be sure that light will shine within 5° of horizontal when boat is floating.
3. Mark and drill 3/4" (19mm) diameter hole. (Figure 3)
4. Thread wire leads and base stem into hole. Mark location of screw holes. Proceed to Step 5 below.

Bi-Color Sidelights and Sidelight Pairs

1. To access mounting holes, gently twist lens helmet counterclockwise to remove.
2. Place sidelight(s) in position as shown in Figure 2.
Important: Before drilling, be sure that sidelights will shine straight ahead and within 5° of horizontal when boat is floating.
3. For Bi-Color Combination light, mark and drill a 3/4" (19mm) diameter hole on the boat centerline. For Sidelight Pairs, mark and drill a 3/4" (19mm) diameter hole on each side deck of the boat, equal distance from the bow. (Figure 3)
4. Thread wire leads and base stem into hole. Align centerline mark with straight-ahead position and mark location of screw holes.
5. Remove base and drill 1/8" (3mm) pilot holes for both screws.
6. Bring 12V DC (+) and (-) wires up through deck hole. Connect wires using waterproof crimp on butt joint connectors.
7. Activate light to verify proper operation.
8. Apply a thin bead of non-silicone sealant into groove on underside of base to prevent water from entering hull or cabin. Do not allow sealant to enter the lens bayonet channels.
9. Align and fasten base with stainless screws. Do not over tighten.
10. Replace lens helmet flush on base and turn clockwise until click is heard and felt. (Figure 3)

Figure 3



INSTALLATION, RAISED BASE MOUNT

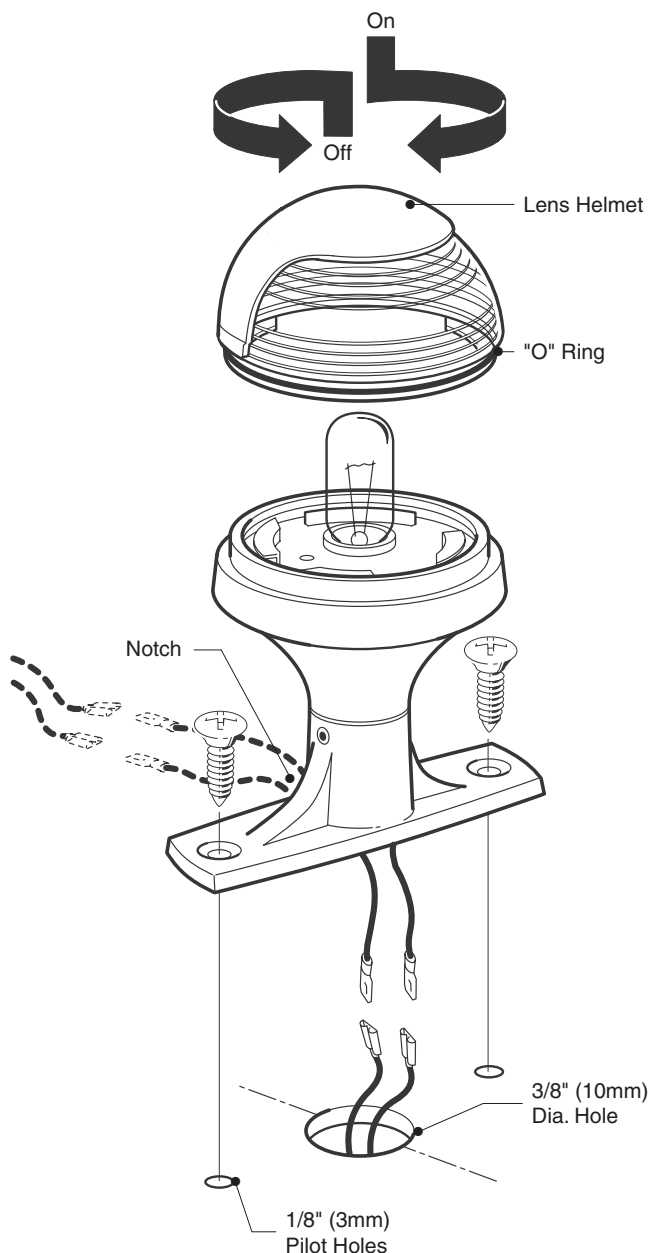
All-Round Lights

1. Place light in position as shown in Figure 1.
- Important:** Before drilling, be sure that light will shine within 5° of horizontal when boat is floating.
2. Mark and drill 3/8" (10mm) diameter hole (Figure 4; Sidelight lens is shown).
3. Thread wire leads and base stem into hole. Mark location of screw holes. Proceed to Step 4 below.

Bi-Color Sidelights and Sidelight Pairs

1. Place sidelight(s) in position as shown in Figure 2.
- Important:** Before drilling, be sure that sidelights will shine straight ahead and within 5° of horizontal when boat is floating.
2. For Bi-Color Combination light, mark and drill 3/8" (10mm) diameter hole on the boat centerline. For Sidelight Pairs, mark and drill 3/8" (10mm) diameter hole on each side deck of the boat, equal distance from the bow. (Figure 4)
3. Thread wire leads and base stem into hole. Align lens division with straight-ahead position and mark location of screw holes.
4. Remove base and drill 1/8" (3mm) pilot holes for both screws.
5. Bring 12V DC (+) and (-) wires up through deck hole. Connect wires using waterproof crimp on butt joint connectors.
6. Activate light to verify proper operation.
7. Apply non-silicone sealant to underside of base.
8. Align and fasten base with stainless screws. Do not over tighten. (Figure 4)

Figure 4



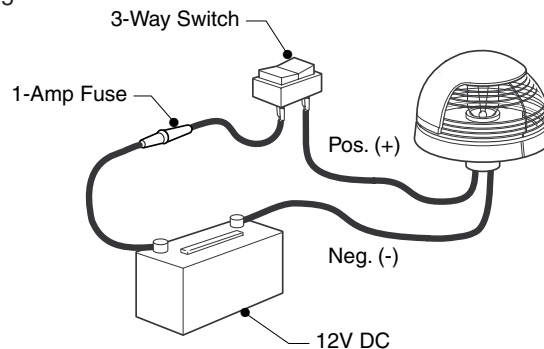
FINAL WIRING

CAUTION:

Power source must be positive 12V DC only. All positive (+12V DC) wires must be fused to protect the circuit. Attwood Pulsar Navigation Lights require a 1-amp fuse. Failure to make proper connections and fusing will void product warranty.

1. Neatly thread wires to dash avoiding any areas where abrasion or snagging may occur.
2. Use waterproof crimp on butt joint connectors to attach wires to a switch on the dash that allows for two-position operation - one for running lights and one for anchor lights. Test lights for proper operation. (Figure 5)

Figure 5



MAINTENANCE

For cleaning or to replace bulb, gently twist lens helmet counter clock-wise to remove. Replace with standard #906 lamp, Attwood #9235. Check "O"-ring for cracks and insure that it is properly positioned on lens. Replace lens helmet on base and turn clockwise until click is heard and felt.