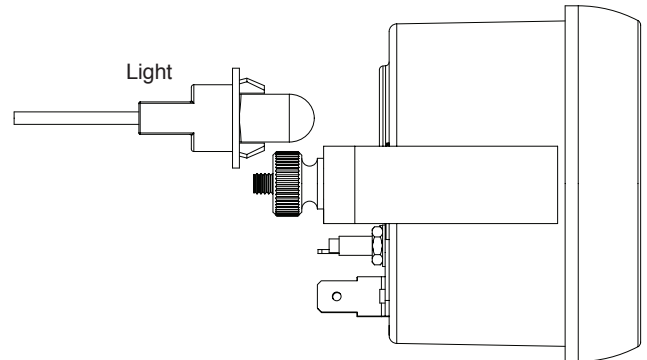


## Mounting

These gauges are panel mounted (2<sup>5</sup>/<sub>8</sub>" dia. hole for 2<sup>5</sup>/<sub>8</sub>" gauges) or (2<sup>1</sup>/<sub>16</sub>" dia. hole for 2<sup>1</sup>/<sub>16</sub>" gauges). Fasten with bracket supplied as shown. (Hookup wires are required.) To assure this instrument functions properly, please read instructions thoroughly before installing.

**CAUTION!** As a safety precaution, the +12 V terminal of this product should be fused before connecting it to the 12V ignition switch. We recommend using a 4 Amp, 3 AG fast-acting type cartridge fuse (Littlefuse® #312 004 or an equivalent).



SIDE VIEW

## Fuel Level

**Disconnect negative battery cable when wiring and reconnect to check reading.**

1. Disconnect negative (-) battery cable.
2. Existing wires may be used, or route proper length of 18 gauge, 2 conductor wire from fuel tank to gauge. Connect one end to terminal post on fuel level sender and opposite end to sender (S) terminal on gauge.
3. Connect wire from gauge ground terminal [GND(-)] to fuel tank ground.
4. Connect wire from ignition switch to positive I (+) terminal on gauge.

**CAUTION: Be careful not to touch ignition wire to the sender (S) terminal on back of gauge or the sender will be damaged.**

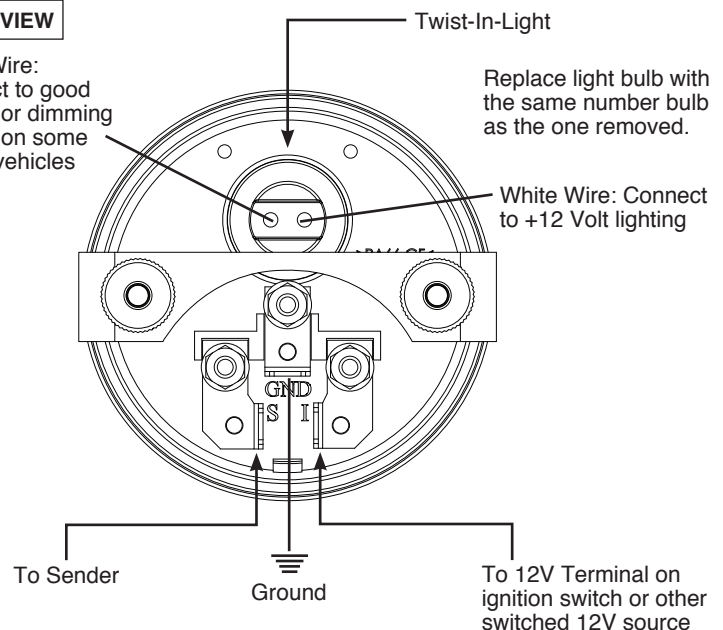
5. Install the light in the socket on the rear of the gauge and connect one wire to the dash lighting circuit or other 12V power source. Connect the other wire to ground.
6. Reconnect negative (-) battery cable.

BACK VIEW

**Black Wire:**  
Connect to good ground or dimming circuits on some import vehicles

Replace light bulb with the same number bulb as the one removed.

**White Wire:** Connect to +12 Volt lighting



## Voltmeter

1. Disconnect negative (-) battery cable.
2. Using 18 gauge wire route one length through firewall using grommet. Attach one end to the [GND(-)] terminal on back of gauge, and the opposite end to a good engine ground.
3. Attach one length of wire to the positive I (+) terminal on back of gauge and opposite end to 12V terminal on ignition switch or other 12V power source.
4. Install the light in the socket on the rear of the gauge and connect one wire to the panel lighting circuit or other 12V power source. Connect the other wire to ground.
5. Reconnect negative (-) battery cable.

BACK VIEW

