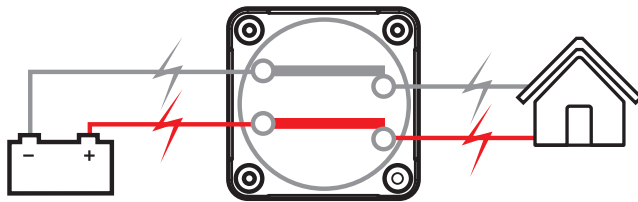


## Double Pole On/Off Battery Switch

770-DP            400A On/Off (Retail Packed)  
 770-DP-B        (Bulk Packed)

Same industry standard mounting with On/Off operation. Used where positive and negative supplies must be isolated at the same time.

**SAFETY NOTE:** BEP does not recommend this for switching house and start battery systems at the same time, for safety reasons. You may need to isolate your engine battery in an emergency, but not your house battery, which typically powers the communications. For this application please use the new Dual Bank Control Switch (772-DBC) or one of BEP's clusters



### Features & Benefits:

- Industry standard footprint
- Three mounting options – surface, rear-panel and front-panel
- Compatible with metric and imperial mounting fasteners
- User friendly design
- Improved access for cables
- Removable knob for isolation/safety
- Includes back cover and three side panels for security and cable protection
- Designed to withstand harsh marine environments
- High temperature reinforced plastics

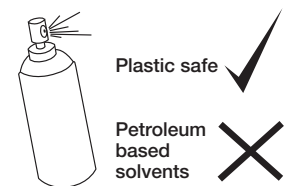
### Specifications:

- Continuous rating: 400A\*
- Intermittent rating: 600A\* (5min)
- Cranking rating: 1500A\* (10sec)
- 12-48V DC (Higher voltage applications on request)
- Connection stud size: M10 (3/8")
- IP66 – protection from powerful water jets
- Ignition protected
- Independently tested to meet UL1107 standards
- CE marked

\*Electrical ratings achieved using cable size 120mm<sup>2</sup>

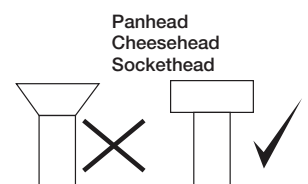
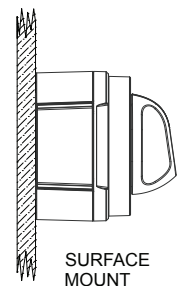
### Installation Instructions: IMPORTANT! Read before installing

- It is recommended that electrical terminations and connections are carried out by a marine electrical technician.
- Negative terminations, and Positive terminations must be to the same numbered studs i.e. both Negatives must be connected to studs numbered "1", or both Negatives connected to studs numbered "2". Failure to do this will result in short circuit or fire!
- These battery switches are for isolation purposes and are not designed for switching under load. Ensure there are no circuits with high inductive loads directly connected to the switch in order to prevent any sudden in-rush of current which may cause damage to the switch.
- Although specially selected chemical resistant materials have been used, we recommend that for maximum product life only plastic safe corrosion inhibiting sprays are used.
- Ensure all cables are sized correctly for the loads they carry. Please refer to [www.bepmarine.com](http://www.bepmarine.com) to calculate correct cable sizes.
- Ensure all electrical connections are correctly tightened to prevent any damage to the battery switch.



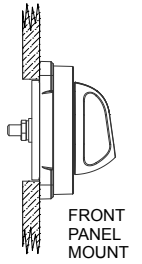
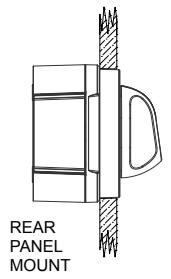
### Surface Mount Instructions

1. Choose mounting location on a flat surface close to the batteries
2. Select panhead (or similar) screws for mounting - use either M5 or 10g imperial (not included)
3. Knock or drill out plastic skin from screw holes in backplate
4. Select panhead (or similar) machine screws and nuts to secure switch to backplate - use either M6 x 40mm or 0.25" x 1.5" (not included). Alternatively longer screws should be used if bolting all the way through the bulkhead/surface
5. Place nuts for machine screws into nut recesses, then screw backplate into position
6. Connect cables to studs ensuring that batteries and loads are correctly fitted
7. Check that spring washers are fitted beneath nuts
8. Tighten the stud nuts to 13.5 Nm (10 lbf)
9. Slot the side panel(s) into the backplate as required
10. Clip battery switch and cable assembly into backplate
11. Secure switch in place with machine screws, engaging into nuts under backplate
12. Ensure cables are secured to ISO/ABYC standards, and that cables are supported so they are not placing unnecessary strain on the battery switch studs (see diagram)
13. With switch in "OFF" position connect battery positive lead at battery
14. Check switch operation (as per reverse page)



**Panel Mount Instructions**

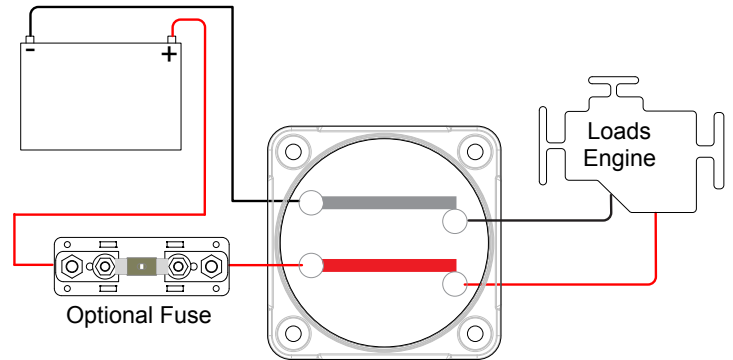
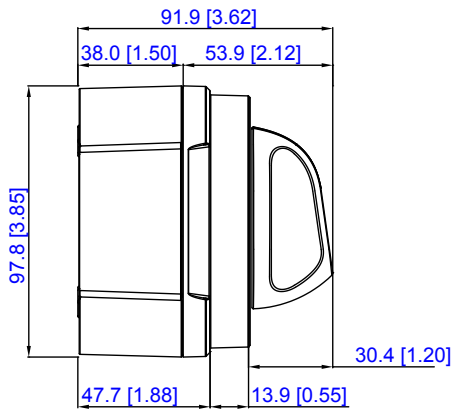
1. Choose mounting location
2. Ensure positive lead are removed from battery banks
3. Use the mounting template (shown below) to mark hole positions
4. Drill four machine screw holes and the 92mm (or 3 5/8") hole for the switch body.
5. Front panel mounting only: either recess for the four clipping features (see template) or cut/file off these features from the battery switch plate
6. Mount switch to panel using M6 (or 1/4") machine screws – note: use either pan or cheesehead screws only
7. Connect cables to studs ensuring that batteries and loads are correctly fitted
8. Check that spring washers are fitted beneath nuts
9. Tighten the stud nuts to 13.5 Nm (10 lbf)
10. Rear panel mounting only: back plate and side panels can also be clipped to the switch for cable protection/insulation
11. Ensure cables are secured to ISO/ABYC standards, and that cables are supported so they are not placing strain on the battery switch studs (see diagram)
12. With switch in "OFF" position connect battery positive lead at battery
13. Check switch operation (as below)



**Check switch operation:**

- a. Loads have no voltage in "OFF" position
- b. Loads have voltage in "ON" position

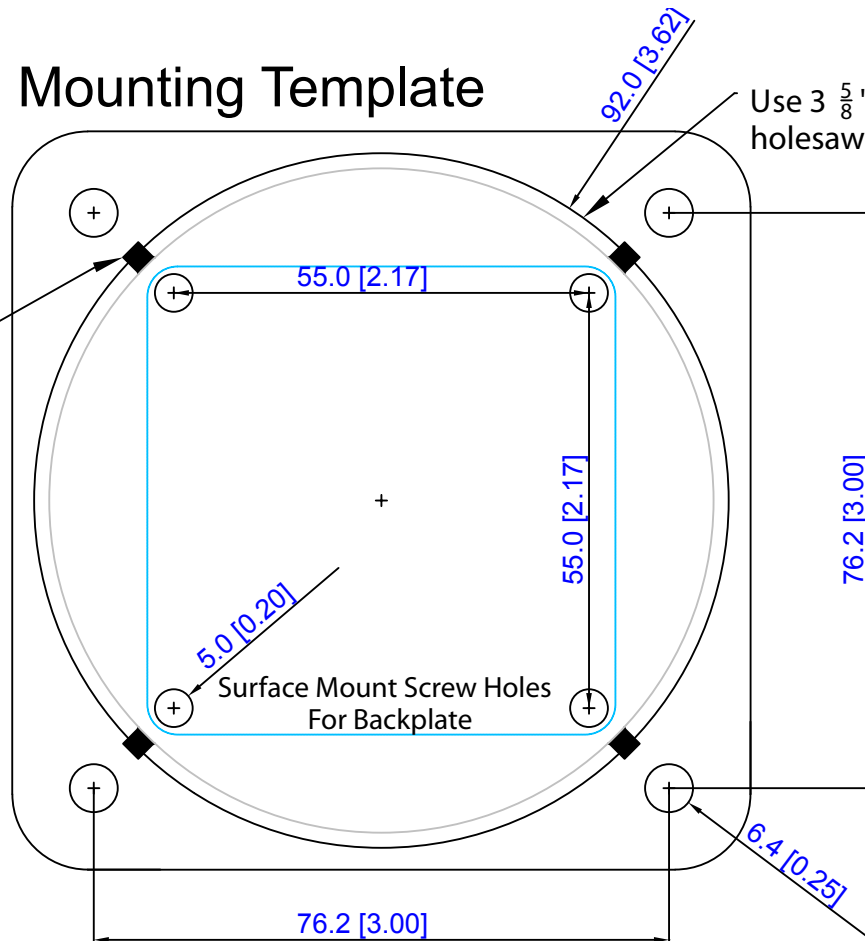
**Dimensions:**



**Example System:**

**NOTE -This diagram is a guide only showing On/Off Switch connections and is not intended as a full electrical systems wiring diagram.**

**Mounting Template**



**Clipping feature:**

- Either remove clipping features or recess panel when front panel mounting

**Please check scale before using**