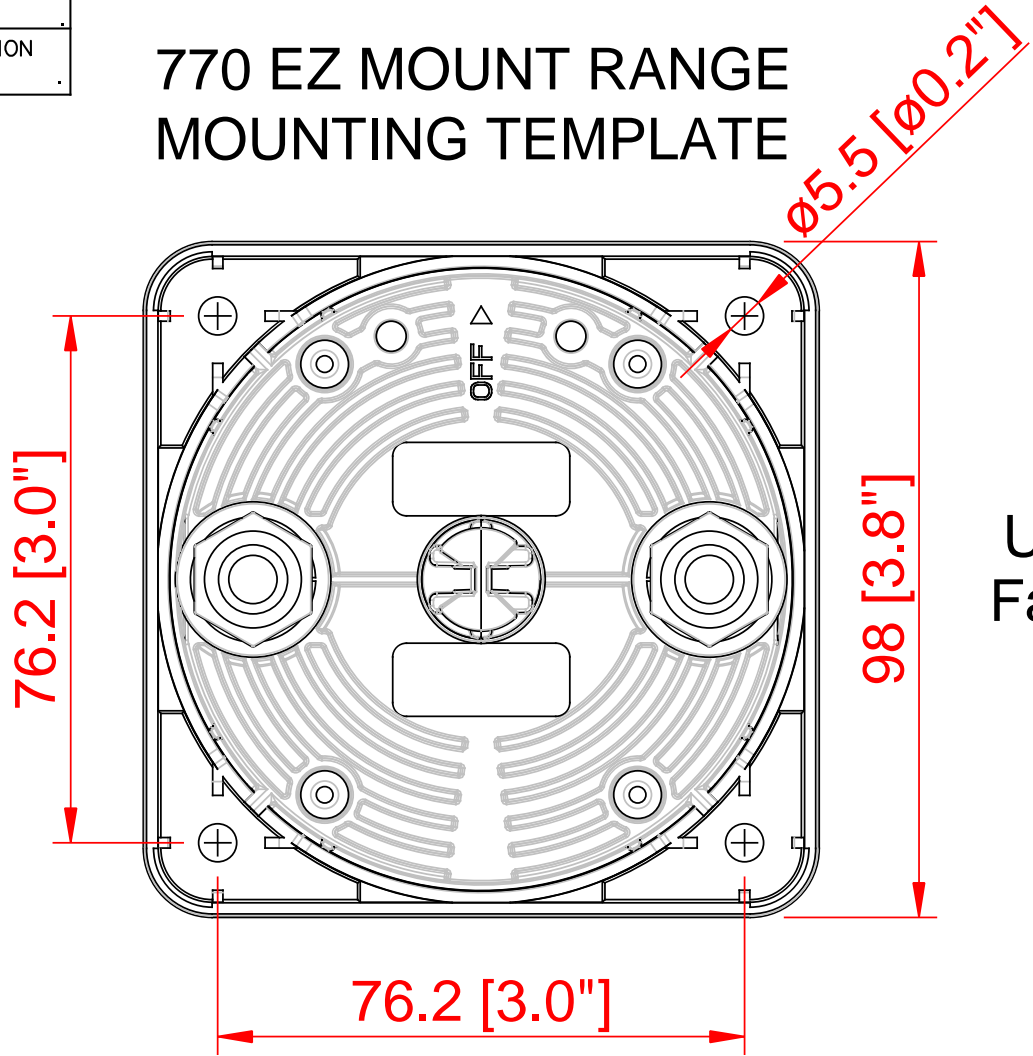


BEP SALES
 CUSTOMER CORRESPONDENCE
 NPF.
 DATE
 SIGNATURE
 PRE PACKAGE INSPECTION
 REQUIRED? SIGNED.

770 EZ MOUNT RANGE MOUNTING TEMPLATE



Use M5, 10G or 3/16" Fasteners To Secure Base

PROTOTYPE CHECKLIST	
CUSTOM PANELS	
DESIGN CAD	
BOM	
DOCO	
PROD. PLANNER	

DATE	ECO	DATE	DESCRIPTION	DRAWN	APPRVD	ECO	DATE	DESCRIPTION	DRAWN	APPRVD
03/12/2014				GKD						
DWG No. PART NO.										
NPF # 770-EZ RANGE										

TITLE:
 PRO INSTALLER 770-EZ BATTERY SWITCH
 MOUNTING TEMPLATE:
 PRINT PDF AT 1:1

