

Mounting template 2/2

Check dimensions before cutting

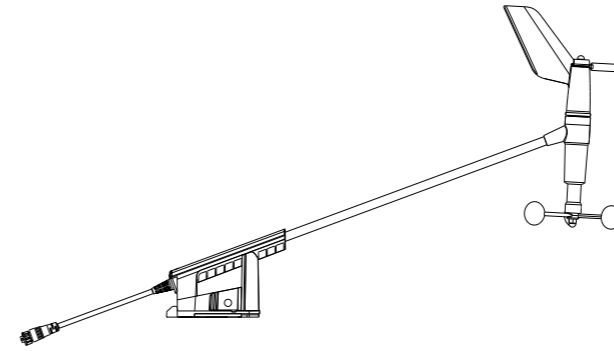


IMPORTANT. Do not use this template if it has been rescaled by copying or printing. If this is not the original, or is a print from a file, please check the dimension lines below are to scale before use.



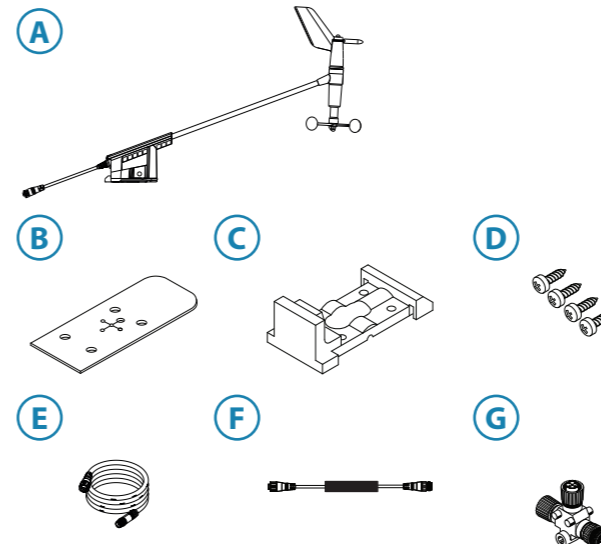
B&G

WS310 WIND SENSOR INSTALLATION GUIDE

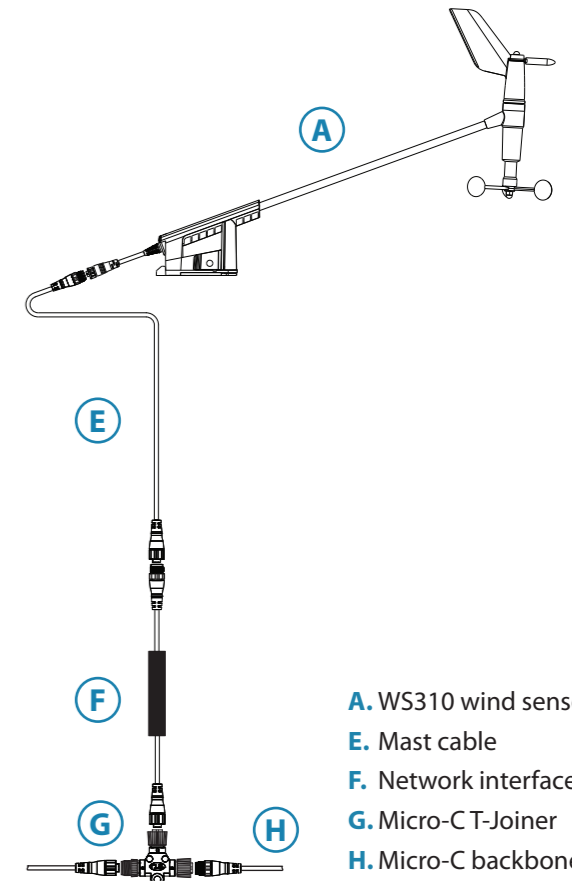


Parts Included

| | Wind pack | Sensor only |
|--------------------------|-----------|-------------|
| A. WS310 wind sensor | x | x |
| B. Gasket | x | x |
| C. Masthead bracket | x | x |
| D. Screws 4x No.10 x 5/8 | x | x |
| E. Mast cable | x | |
| F. Network interface | x | |
| G. Micro-C T-Joiner | x | |



Wiring



A. WS310 wind sensor
E. Mast cable
F. Network interface
G. Micro-C T-Joiner
H. Micro-C backbone



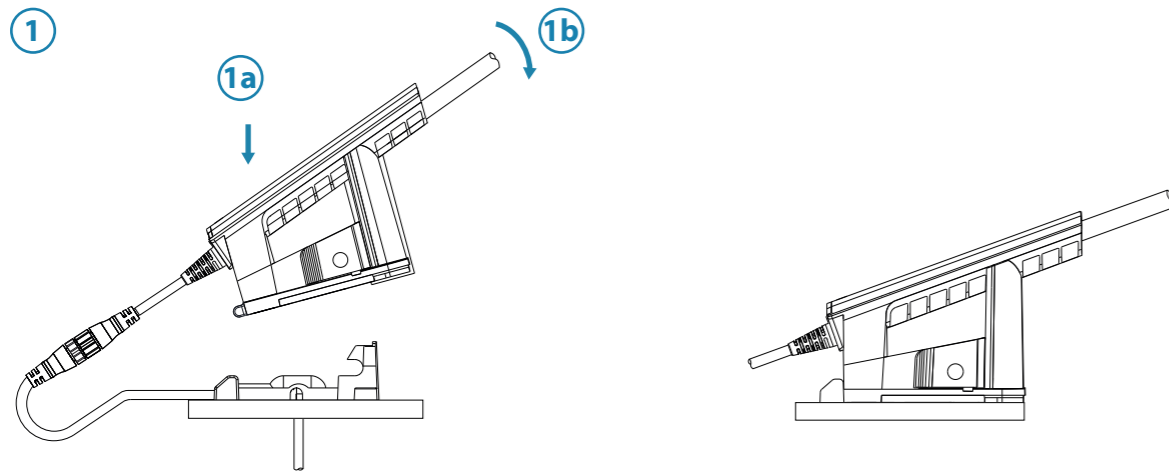
Warning: The user is cautioned that any changes or modifications not expressly approved by the party responsible for compliance could void the user's authority to operate the equipment.

This product complies with:

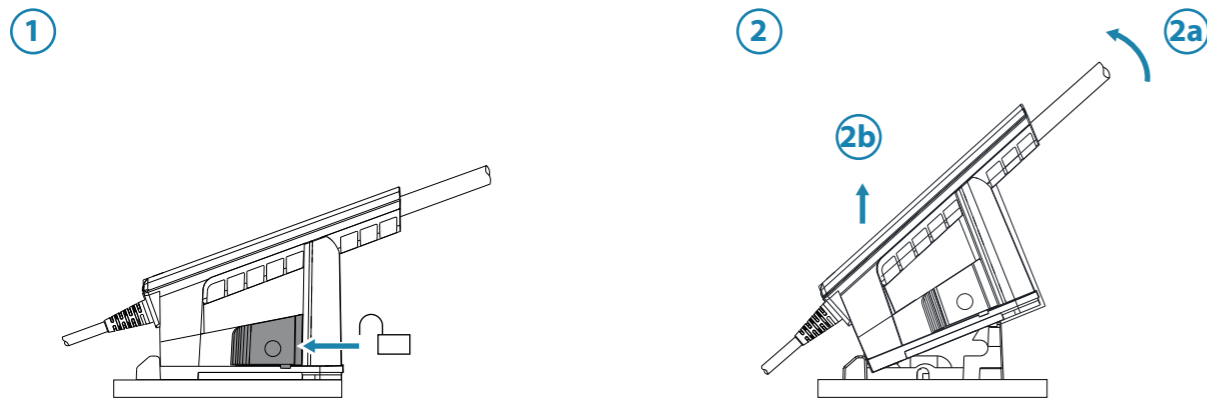
- The requirements of level 2 devices of the Radiocommunications (Electromagnetic Compatibility) standard 2017.
- CE under EMC Directive 2014/30/EU



Attaching the wind sensor



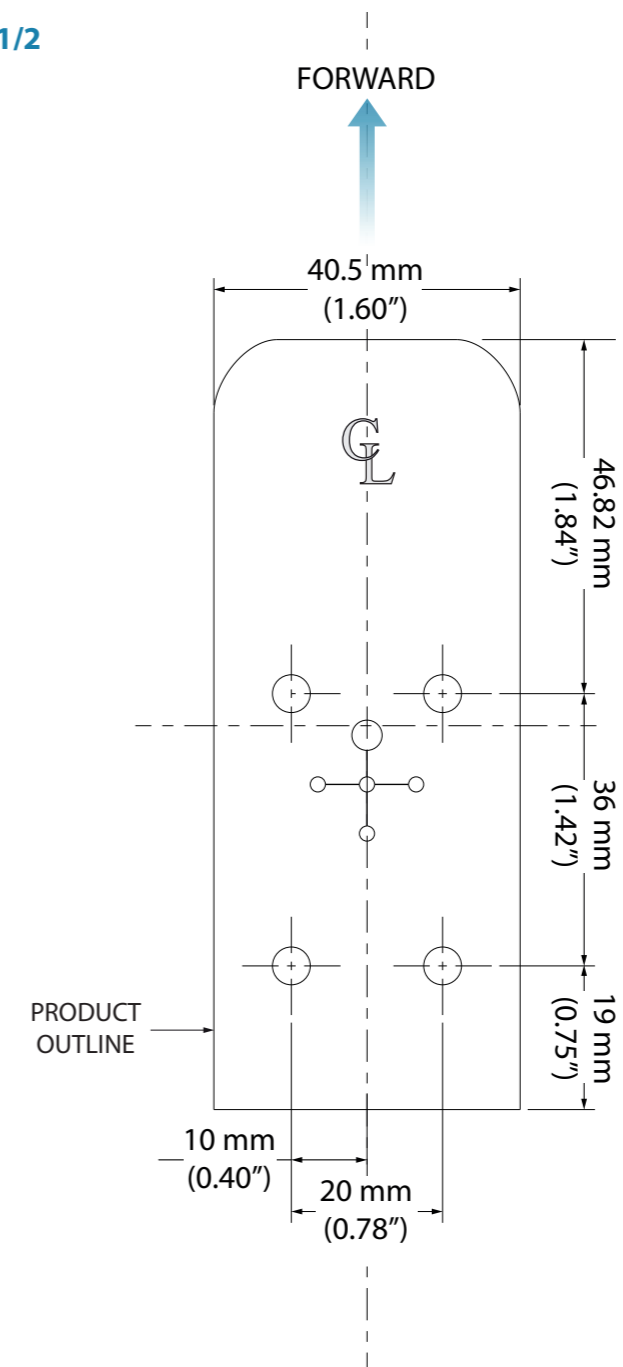
Removing the wind sensor



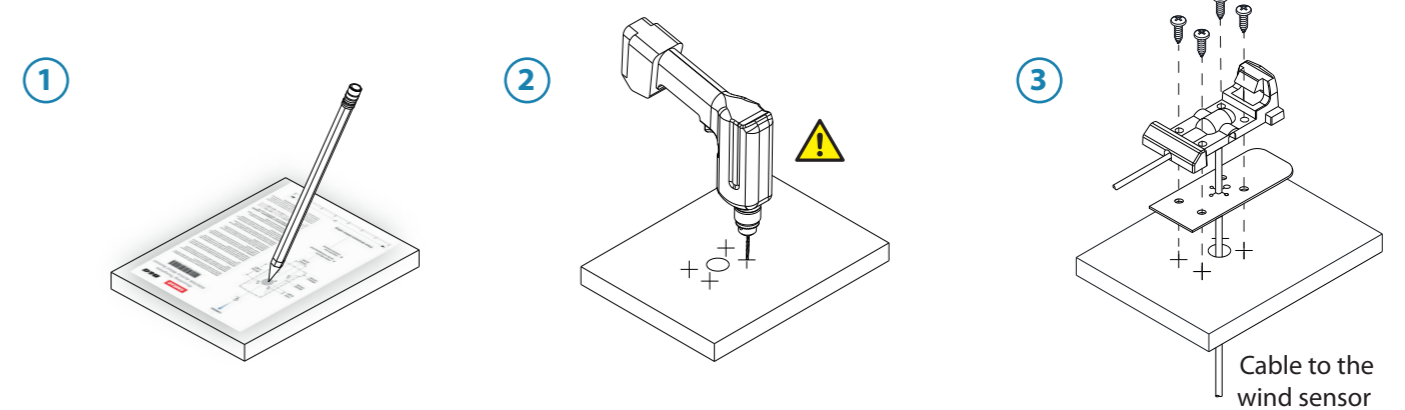
Technical specifications

| WS310 | |
|-----------------------|--|
| Weight | 0.30 kg (0.66 lbs) |
| Cable length options | 20, 35, 50 & 80 meters (66, 115, 164 & 262 ft) |
| Waterproof | IPx6 & IPx7 |
| Operating temperature | -25°C to 65°C |
| Power usage | 15 mA at 12 V DC |
| Wind speed resolution | 0.05 m/sec (0.1 Knots) |
| Wind speed accuracy | +/- 0.1 m/sec (0.2 kt) from 1 - 40 m/sec (2 - 80 kt) |
| Wind speed range | 0.25 - 50 m/sec (0.5 - 97 knots) |
| Wind angle resolution | 0.1° |
| Wind angle accuracy | +/- 0.5° |
| Data output | NMEA0183 'MWV,R' sentence at 10Hz |

Mounting template 1/2



Bracket installation



Recommended pilot holes:

| Material | 10# screw |
|--|----------------------|
| Hard materials e.g. fiberglass, aluminum, carbon fibre | Ø 4.1-4.7 mm (3/16") |