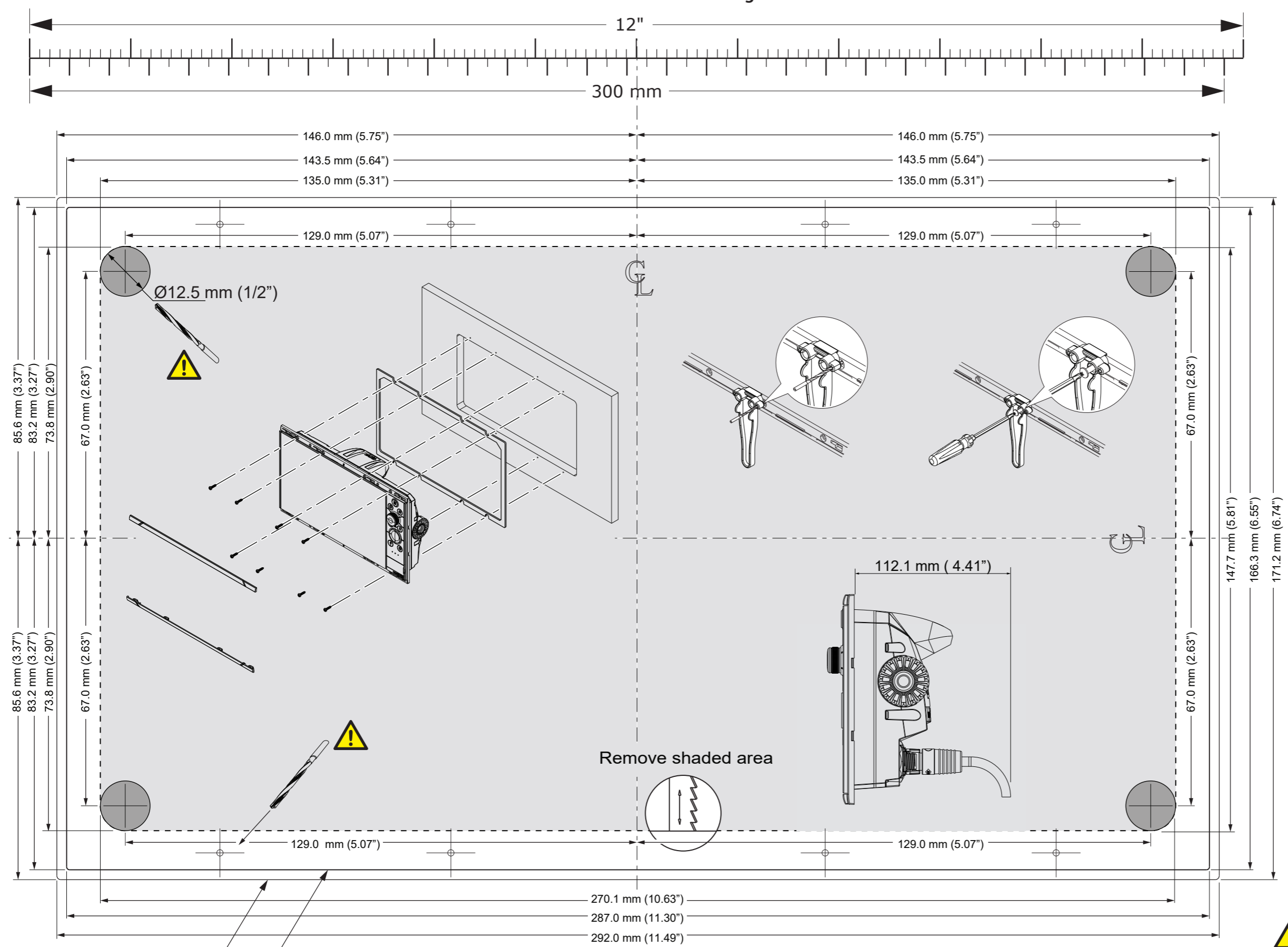


Check dimensions before cutting

**SIMRAD** **B&G**  
**Mounting Template**  
**9" Units**  
**NSS evo3/NSS evo3S**  
**Zeus<sup>3</sup>/Zeus<sup>3</sup>S**

IMPORTANT: Do not use this template if it has been rescaled by copying or printing. If this is not the original, or is a print from a file, please check the dimension lines below are to scale before use.



SUN COVER  
 PRODUCT OUTLINE

**NOTE:**  
 DO NOT SCALE  
 PRINT 1:1

⚠ Recommended pilot holes

Material	#4 screw	#6 screw
Soft materials e.g. Plywood	Ø 1.9-2.2 mm (5/64")	Ø 2.3-2.5 mm (3/32")
Hard material e.g. Fiberglass, Acrylic, Hardwoods	Ø 2.3-2.6 mm (3/32")	Ø 2.7-3.1 mm (7/64")

⚠ Front mount screw recommendations

Max 5.5 mm (0.22")  
 Max 2.2 mm (0.09")

View other marine GPS navigation made by B&G on our website.