

Electrical Panel AC Isolation Cover

PN 4029 1 Column x 8 Position with Meter
PN 4031 2 Column x 10 Position with Meter

Specifications

Cover Material ABS
Standoff Material Nylon

ABYC E-8.19.4 requires that electrical distribution panels with combined AC and DC circuits have no access to the AC section without the use of tools. This AC isolation cover was designed to meet this requirement. It can be easily added to new or existing Blue Sea Systems' distribution panels.

Warning

It is not possible within the scope of these instructions to fully acquaint the installer with all the knowledge of electrical systems that may be necessary to correctly install this product. If the installer is not knowledgeable in electrical systems we recommend that an electrical professional be retained to make the installation.

Related Products from Blue Sea Systems

Circuit Breaker Panels
Panel Back Covers

Guarantee

Any Blue Sea Systems' product with which a customer is not satisfied may be returned for a refund or replacement at any time.

Blue Sea Systems Inc.
425 Sequoia Drive Bellingham, WA 98226 USA
Phone (360) 738-8230 Fax (360) 734-4195
E-mail conductor@blueseas.com
www.blueseas.com

Document 9199 Rev.B

Installation

1. Disconnect all AC and DC power

Before starting, disconnect the main positive cable from all batteries to eliminate the possibility of a short circuit while installing the Electrical Panel AC Isolation Cover. Also disconnect the AC shore power cord from the boat to eliminate the possibility of electrocution from AC wiring.

2. Mounting Standoffs

Blue Sea Systems' AC Isolation Covers are designed to mount to Blue Sea Systems' Panels with both AC and DC power distribution. The AC Isolation Cover attaches to standoffs that must be installed to the panel. To install the standoff, remove one nylock nut from the AC bus riser (see Figure 1). Replace it with a 3" [76.2mm] standoff (see Figure 2). Repeat for all AC bus risers, one at a time.

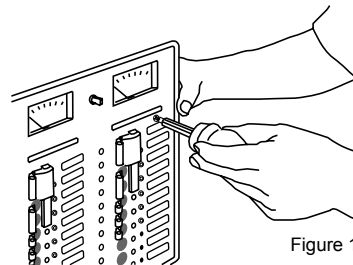


Figure 1

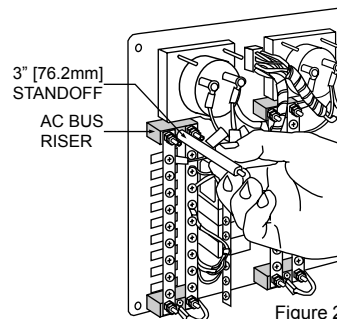


Figure 2

Electrical Panel AC Isolation Cover

PN 4029 1 Column x 8 Position with Meter
PN 4031 2 Column x 10 Position with Meter

Specifications

Cover Material ABS
Standoff Material Nylon

ABYC E-8.19.4 requires that electrical distribution panels with combined AC and DC circuits have no access to the AC section without the use of tools. This AC isolation cover was designed to meet this requirement. It can be easily added to new or existing Blue Sea Systems' distribution panels.

Warning

It is not possible within the scope of these instructions to fully acquaint the installer with all the knowledge of electrical systems that may be necessary to correctly install this product. If the installer is not knowledgeable in electrical systems we recommend that an electrical professional be retained to make the installation.

Related Products from Blue Sea Systems

Circuit Breaker Panels
Panel Back Covers

Guarantee

Any Blue Sea Systems' product with which a customer is not satisfied may be returned for a refund or replacement at any time.

Blue Sea Systems Inc.
425 Sequoia Drive Bellingham, WA 98226 USA
Phone (360) 738-8230 Fax (360) 734-4195
E-mail conductor@blueseas.com
www.blueseas.com

Document 9199 Rev.B

Installation

1. Disconnect all AC and DC power

Before starting, disconnect the main positive cable from all batteries to eliminate the possibility of a short circuit while installing the Electrical Panel AC Isolation Cover. Also disconnect the AC shore power cord from the boat to eliminate the possibility of electrocution from AC wiring.

2. Mounting Standoffs

Blue Sea Systems' AC Isolation Covers are designed to mount to Blue Sea Systems' Panels with both AC and DC power distribution. The AC Isolation Cover attaches to standoffs that must be installed to the panel. To install the standoff, remove one nylock nut from the AC bus riser (see Figure 1). Replace it with a 3" [76.2mm] standoff (see Figure 2). Repeat for all AC bus risers, one at a time.

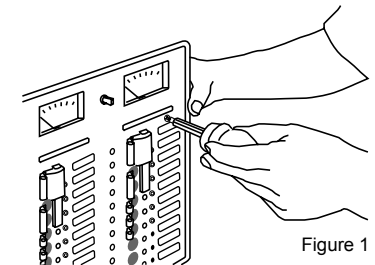


Figure 1

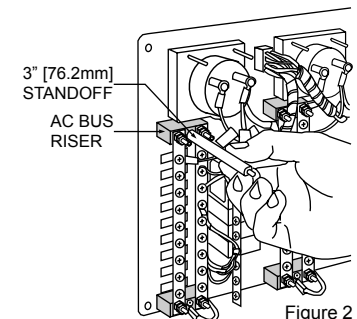


Figure 2

Installation (continued)

3. Panel Back Cover Mounting

Place the panel back cover over the AC side of the panel aligning the holes in the cover with the standoffs. Mark where slots will need to be cut for wires to exit the panel.

Remove cover and score the slot locations multiple times with a utility knife and cutout the slot. Remember to keep slot sizes close to the wire sizes exiting the panel back cover to limit accessibility to energized AC components.

4. Place isolation cover over the AC riser buses aligning the standoffs and fasten down with supplied #8 nylock nuts (see Figure 3).

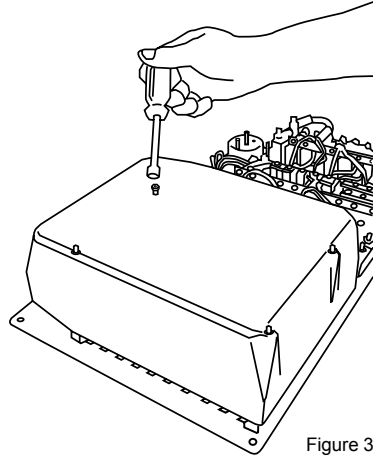


Figure 3

Installation (continued)

3. Panel Back Cover Mounting

Place the panel back cover over the AC side of the panel aligning the holes in the cover with the standoffs. Mark where slots will need to be cut for wires to exit the panel.

Remove cover and score the slot locations multiple times with a utility knife and cutout the slot. Remember to keep slot sizes close to the wire sizes exiting the panel back cover to limit accessibility to energized AC components.

4. Place isolation cover over the AC riser buses aligning the standoffs and fasten down with supplied #8 nylock nuts (see Figure 3).

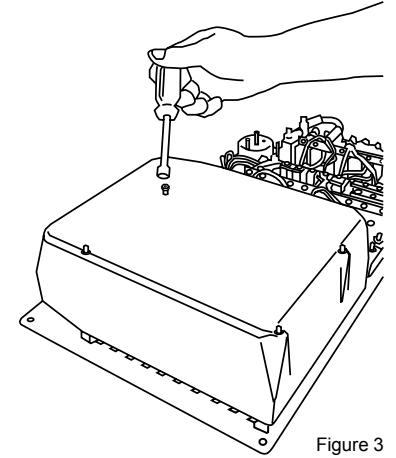
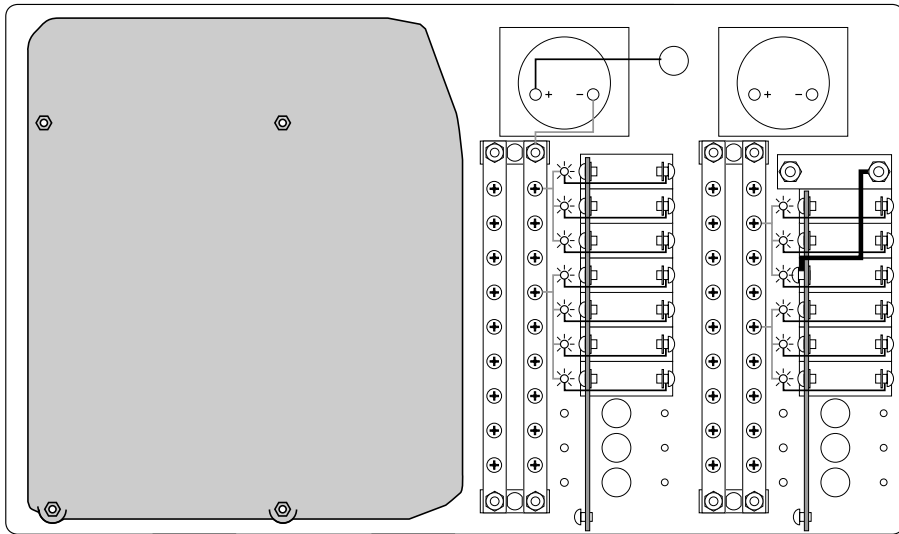
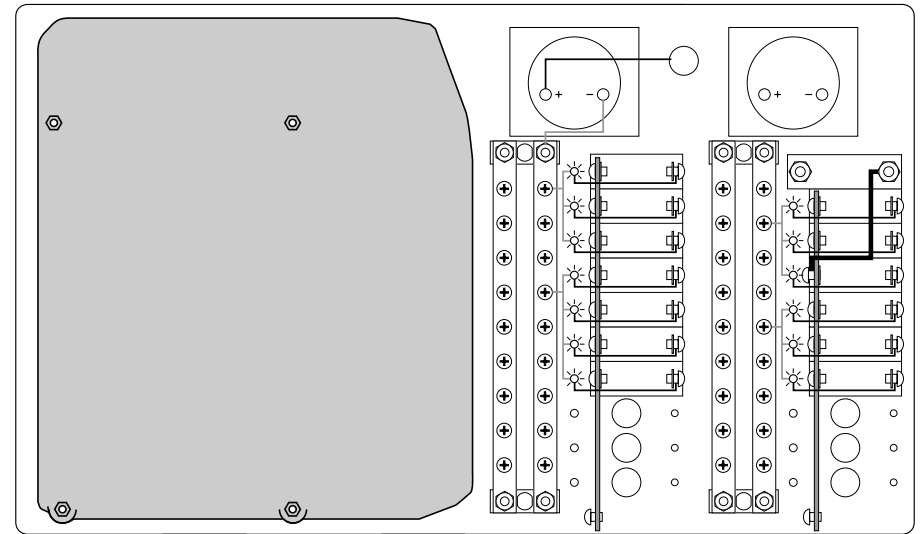


Figure 3



8086 with Electrical Panel AC Isolation Cover 4031



8086 with Electrical Panel AC Isolation Cover 4031