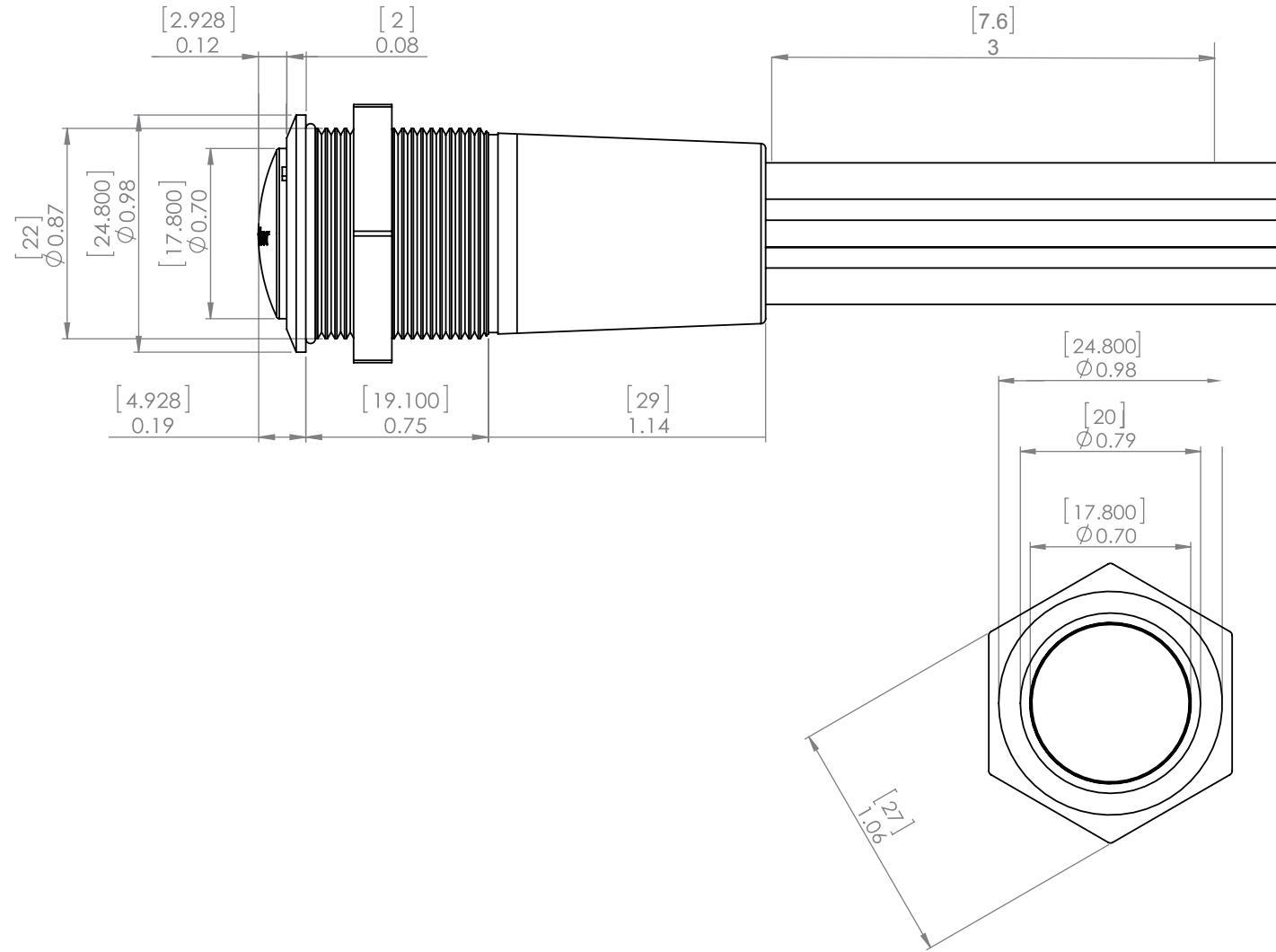


# Dimension Diagram



Ground  
(Black 18AWG)

Input +12V DC  
(Blue 18AWG)

Input +12V DC  
(Orange 16AWG)

Output +12V DC  
(Red 16AWG)

