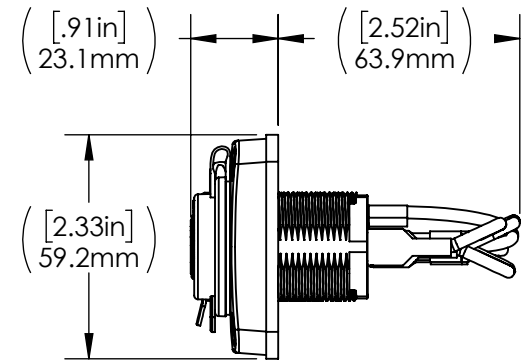
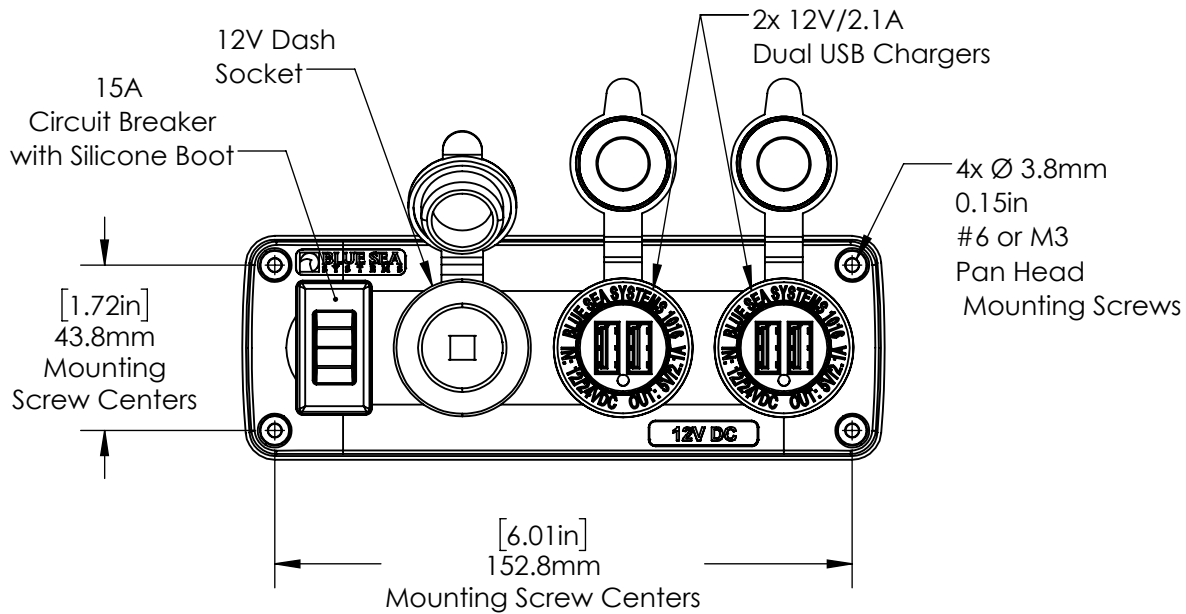
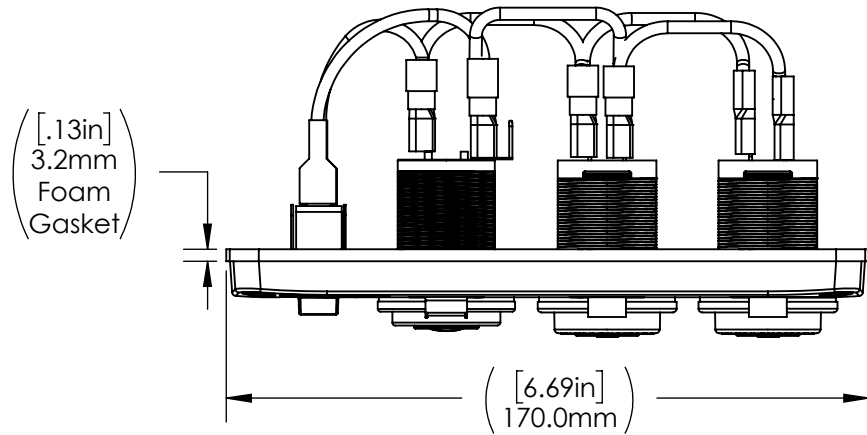


THIS DRAWING AND THE INFORMATION CONTAINED WITHIN IT ARE CONFIDENTIAL AND MAY NOT BE COPIED OR DISCLOSED WITHOUT THE WRITTEN PERMISSION OF BLUE SEA SYSTEMS.



THIRD ANGLE PROJECTION



BLUE SEA
SYSTEMS

4600 Ryzex Way Bellingham, WA 98226
Phone (360)738-8230 Fax (360)734-4195

4365 - Water Resistant Accessory Panel
15A Circuit Breaker, 12V Socket,
2x 2.1A Dual USB Chargers

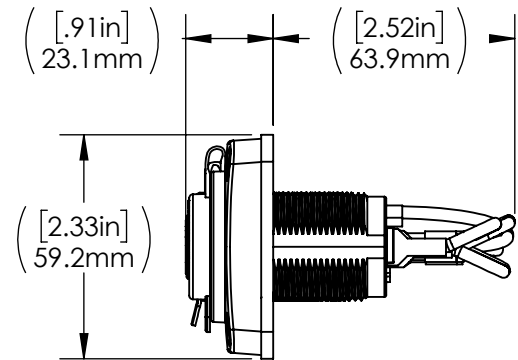
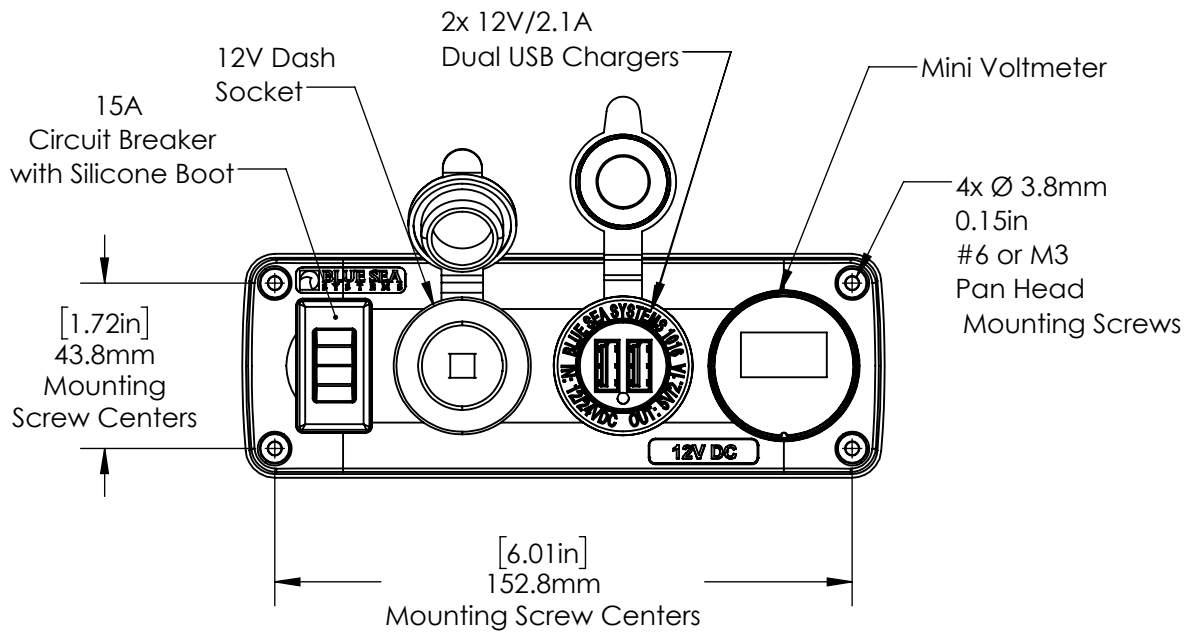
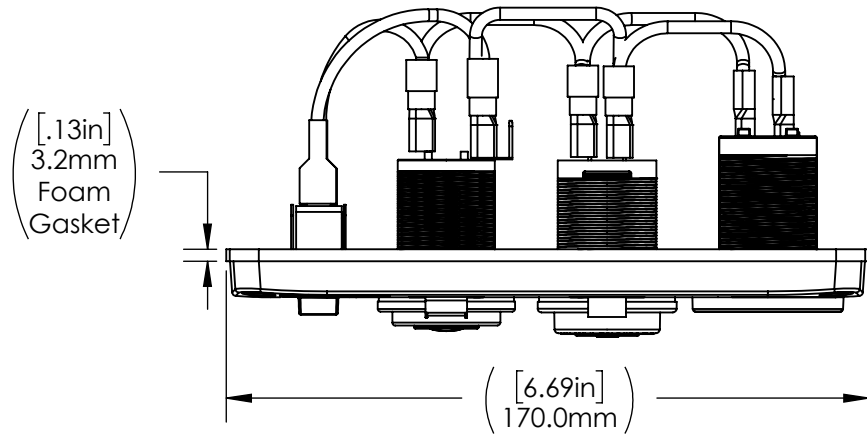
SIZE DWG. NO. **4365 - Customer Drawing**

REV. **1**

SCALE 1:2 WEIGHT: --

SHEET 1 OF 4

THIS DRAWING AND THE INFORMATION CONTAINED WITHIN IT ARE CONFIDENTIAL AND MAY NOT BE COPIED OR DISCLOSED WITHOUT THE WRITTEN PERMISSION OF BLUE SEA SYSTEMS.



THIRD ANGLE PROJECTION



BLUE SEA
SYSTEMS

4600 Ryzex Way Bellingham, WA 98226
Phone (360)738-8230 Fax (360)734-4195

4366 - Water Resistant Accessory Panel
15A Circuit Breaker, 12V Socket,
2.1A Dual USB Chargers, Mini Voltmeter

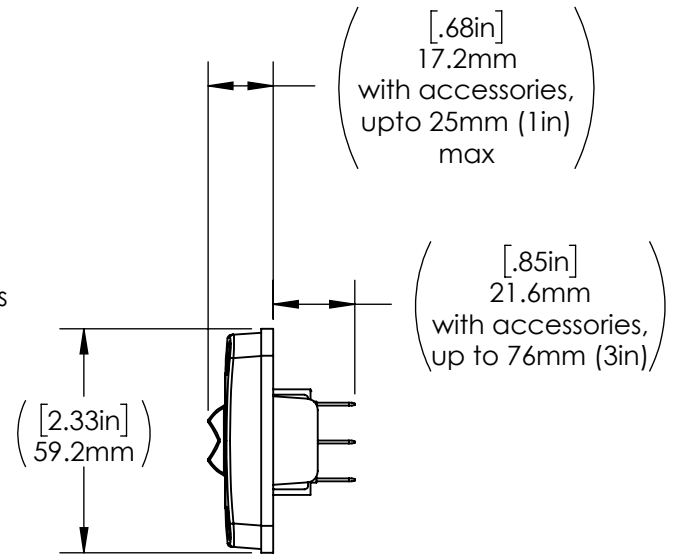
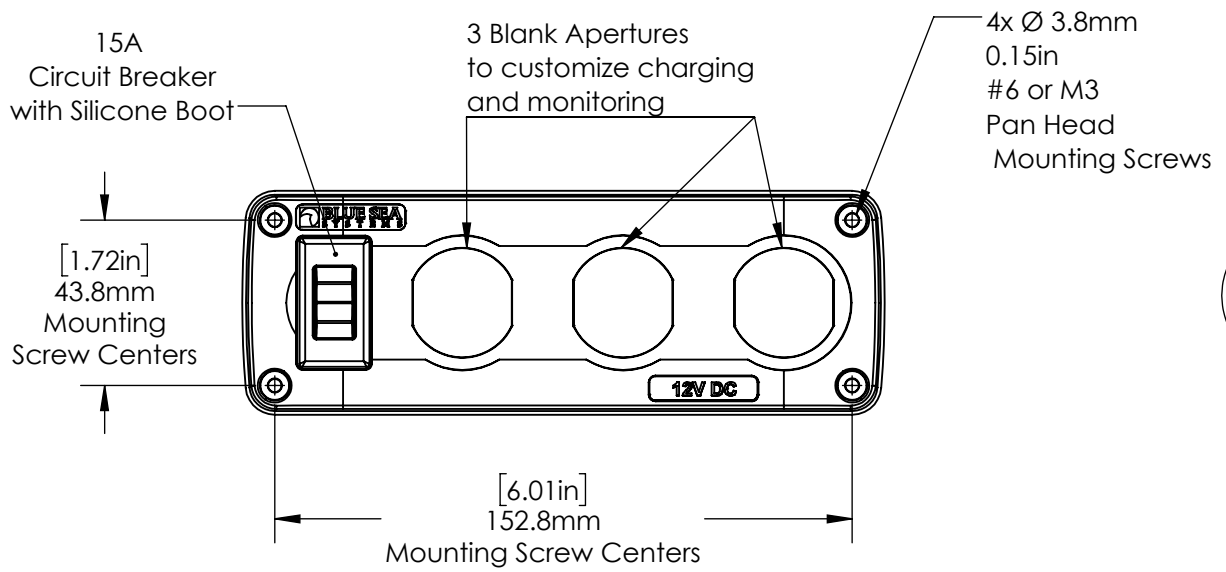
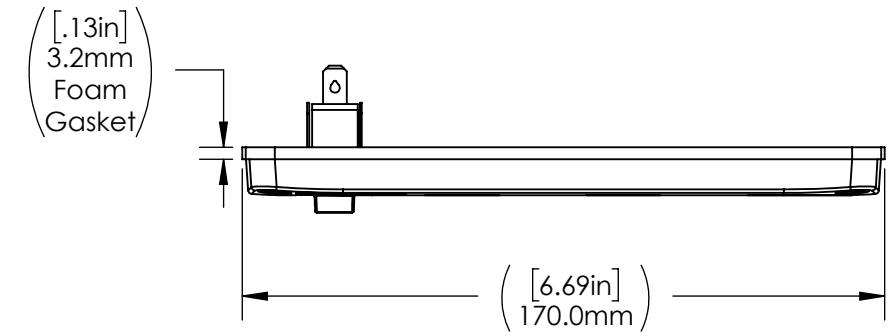
SIZE DWG. NO. 4366 - Customer Drawing

REV. 1

SCALE 1:2 WEIGHT: --

SHEET 2 OF 4

THIS DRAWING AND THE INFORMATION CONTAINED WITHIN IT ARE CONFIDENTIAL AND MAY NOT BE COPIED OR DISCLOSED WITHOUT THE WRITTEN PERMISSION OF BLUE SEA SYSTEMS.



THIRD ANGLE PROJECTION



BLUE SEA
SYSTEMS

4600 Ryzex Way Bellingham, WA 98226
Phone (360)738-8230 Fax (360)734-4195

4367 - Water Resistant Accessory Panel
15A Circuit Breaker, 3x Blank Apertures

SIZE A	DWG. NO. 4367 - Customer Drawing	REV. 1
SCALE 1:2	WEIGHT: --	SHEET 3 OF 4

4365, 4366, 4367 Cutout options.

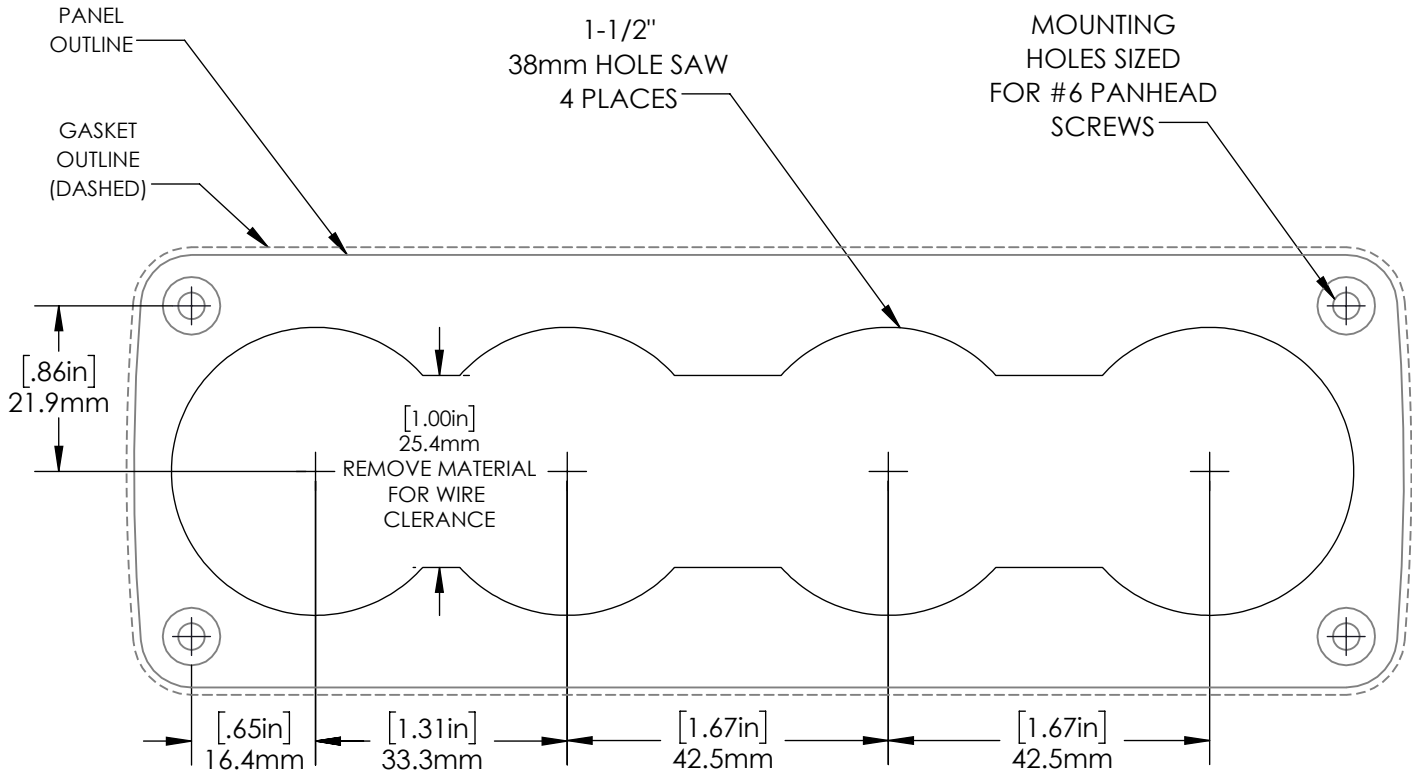
Drawings are 1:1

Page size is 8.5in x 11in

Due to variations in printers, cutouts are not assured to be to scale.

For best results, print using "Actual Size" option, and verify dimensions of printout before using as template.

MOUNTING CUTOUT OPTION #1



MOUNTING CUTOUT OPTION #2

