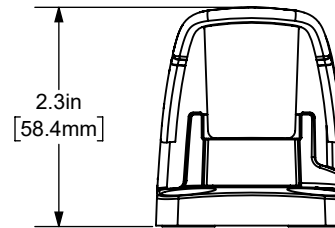
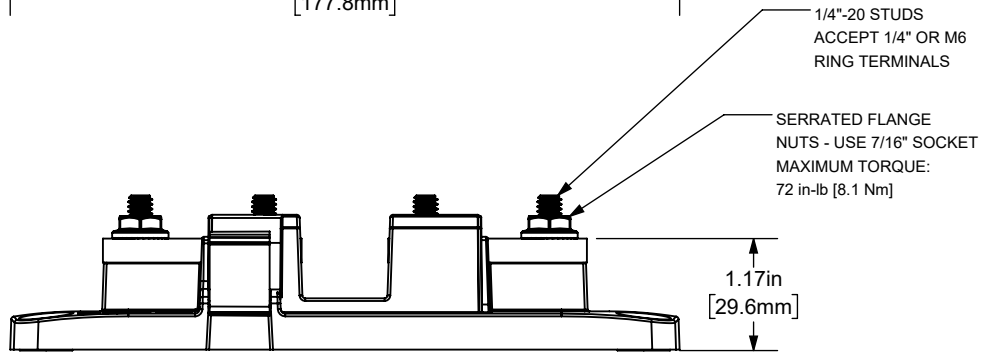
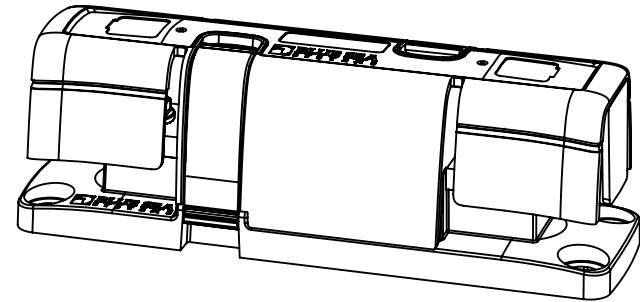
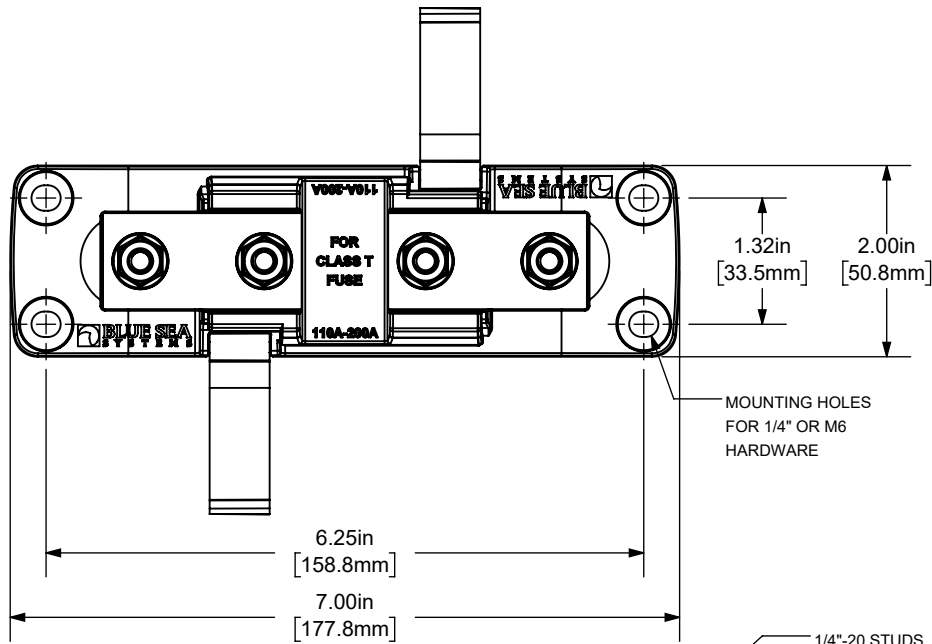


THIS DRAWING AND THE INFORMATION CONTAINED WITHIN IT ARE CONFIDENTIAL AND MAY NOT BE COPIED OR DISCLOSED WITHOUT THE WRITTEN PERMISSION OF BLUE SEA SYSTEMS.

REVISIONS				
ZONE	REV.	DESCRIPTION	DATE	APPROVED
	1	PRODUCTION RELEASE	2017.7.7	S. SCHANKEN



DIMENSIONS ARE SHOWN IN INCHES AND [MILLIMETERS] UNSPECIFIED TOLERANCES ARE:

ANGLES	INCH	MM
±0°30'	.0000±.002	.000±.051
	.000±.005	.00±.127
	.00±.010	.0±.254

MATERIAL	--
FINISH	--

DO NOT SCALE DRAWING

	NAME	DATE
DRAWN	S. SCHANKEN	2016.7.26
CHECKED	J. RAU	2016.7.27
-	-	-
-	-	-
-	-	-

COMMENTS:

BLUE SEA SYSTEMS

425 Sequoia Drive Bellingham, WA 98226
Phone (360)738-8230 Fax (360)734-4195

Fuse Block ClasT IP 110-200A

Part Number 5007100

SIZE	DWG. NO.	REV.
A	5007100	1
SCALE 1:2	WEIGHT: --	SHEET 1 OF 1

THIRD ANGLE PROJECTION

