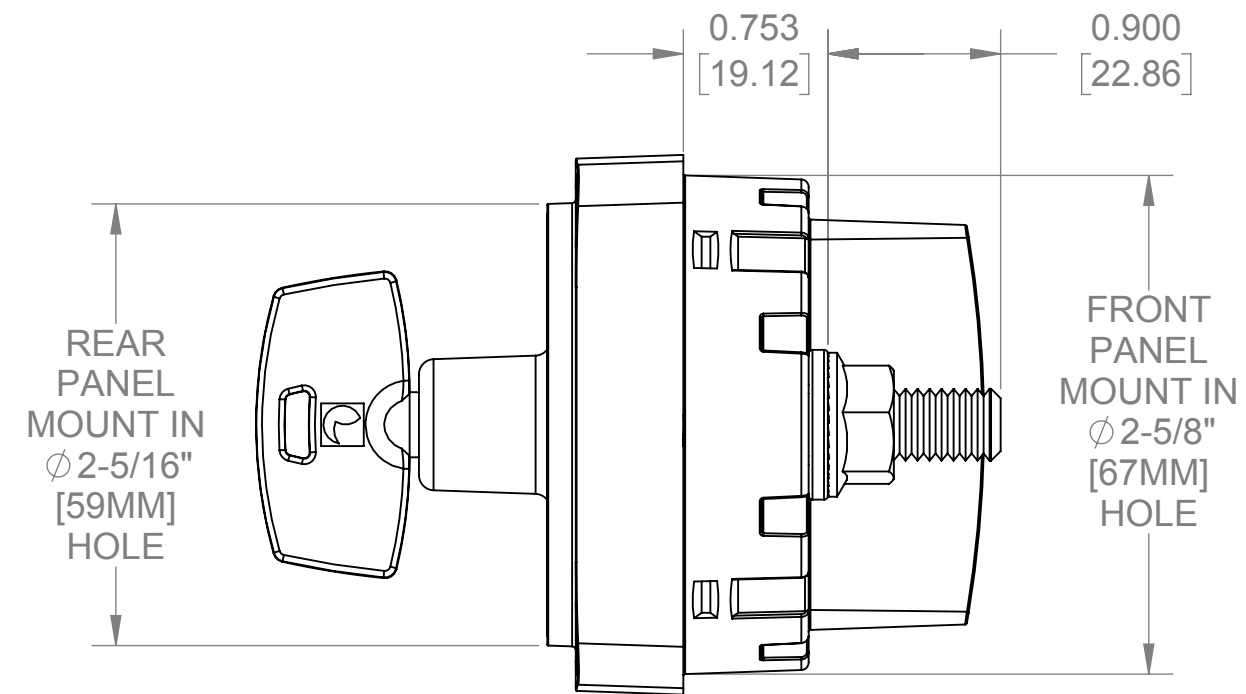
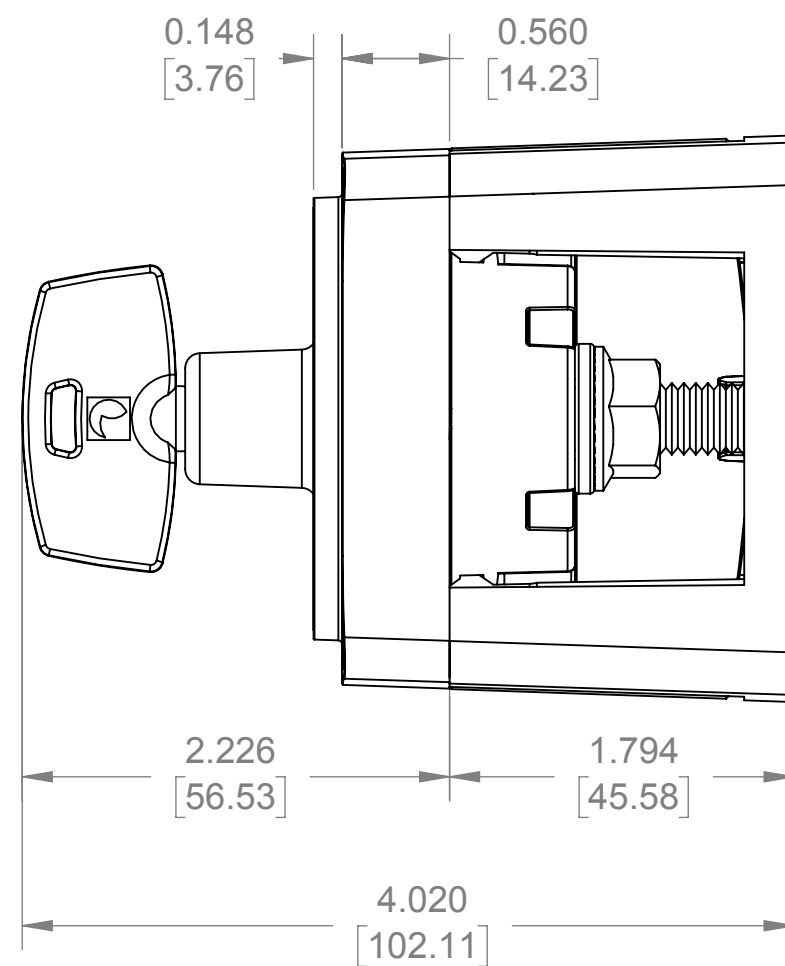
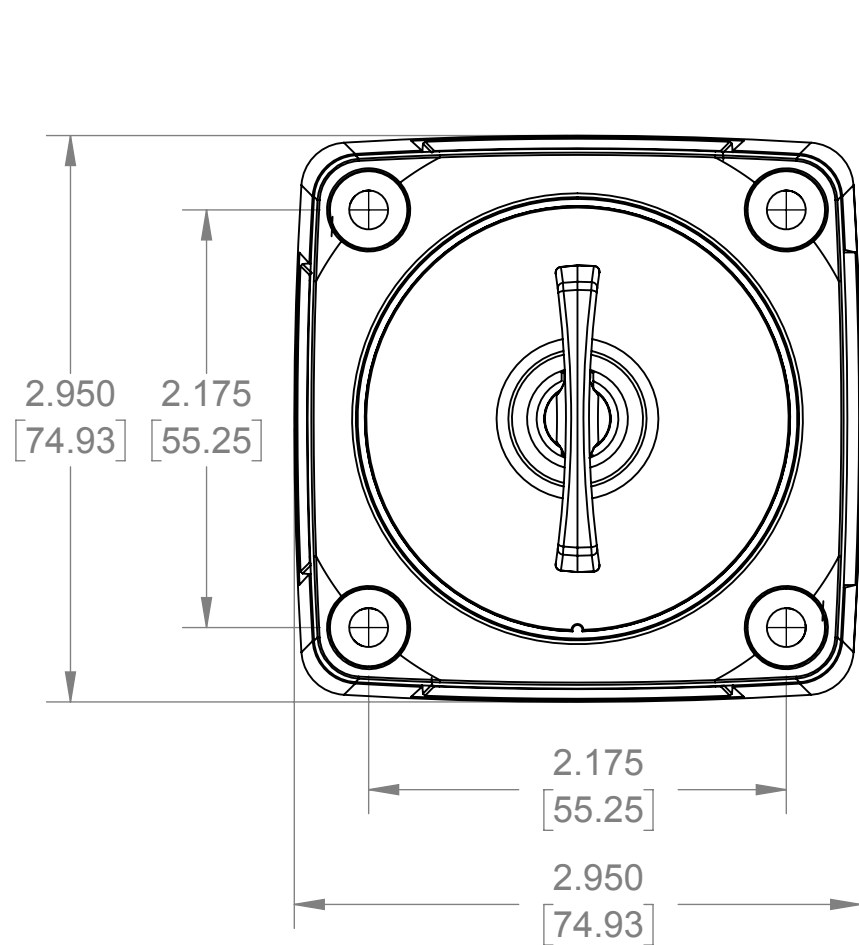


THIS DRAWING AND THE INFORMATION CONTAINED WITHIN IT ARE CONFIDENTIAL AND MAY NOT BE COPIED OR DISCLOSED WITHOUT THE WRITTEN PERMISSION OF BLUE SEA SYSTEMS.

REVISIONS				
ZONE	REV.	DESCRIPTION	DATE	APPROVED
		DRAWING CREATED	2017.02.20	J. RAU



THIRD ANGLE PROJECTION



	NAME	DATE
DRAWN	J. RAU	2017.02.20
CHECKED		
-	-	-
-	-	-
-	-	-
COMMENTS:		
-		



M SERIES SWITCH WITH KEY

Part Numbers 6005, 6005200

SIZE	DWG. NO.	REV.
B	M SWITCH	0
SCALE 1:2	WEIGHT: POUNDS	SHEET 1 OF 3