

m-Series Single Circuit ON/OFF Battery Switch with Key

6005 / 6005200

Features

- Switches a single battery to a single load group
- Tin-plated copper studs for maximum conductivity and corrosion resistance
- Studs accept 3/8" (M10) ring terminals
- One-piece terminal stud design never loosens over time
- Isolating cover with three snap-off side pieces protects rear contacts and allows wire access in any direction

Specifications

| | |
|---------------------------------------|------------------------------|
| Cranking Rating: 30 sec. | 900A DC |
| Intermittent Rating: 5 min. (UL 1107) | 500A DC |
| Continuous Rating: | 300A DC |
| Terminal Stud, Tin-Plated Copper | 3/8"-16 (M10) |
| Torque | 120 in-lb (13.56 N·m) |
| Cable Size to Meet Ratings* | 4/0 AWG (95mm ²) |
| Maximum Voltage Rating | 48 Volts DC |
| Ignition Protected | |
| c€ marked | |

Agency Specifications

- Meets all American Boat and Yacht Council (ABYC) requirements for battery switches
- UL Listed - UL 1107 for electric power switches
- Meets UL 1500 and SAE J1171 external ignition protection requirements

Caution

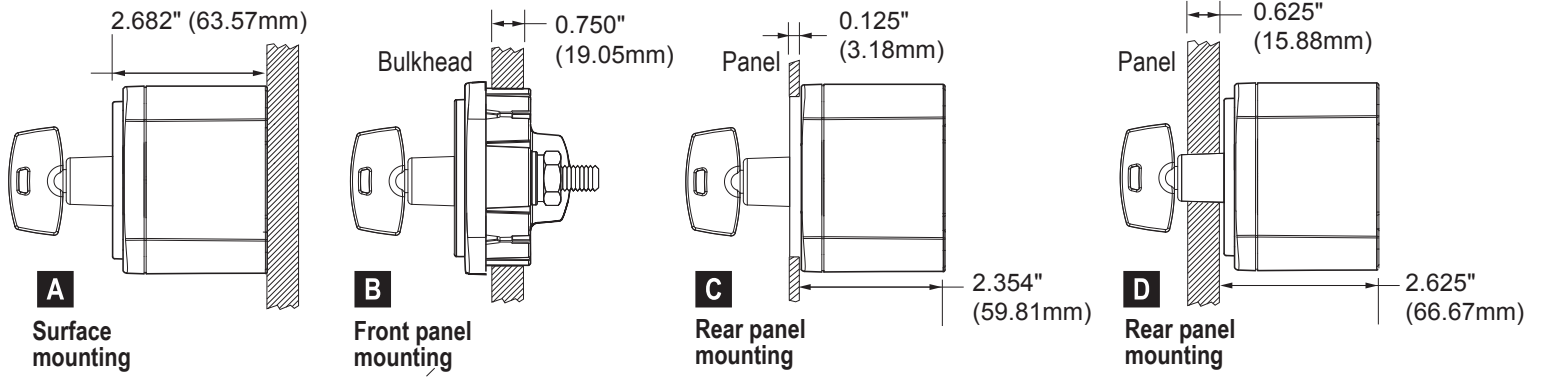
- Disconnect positive battery terminal before installing.
- Consult marine electrical professional for proper wiring application.

Installation

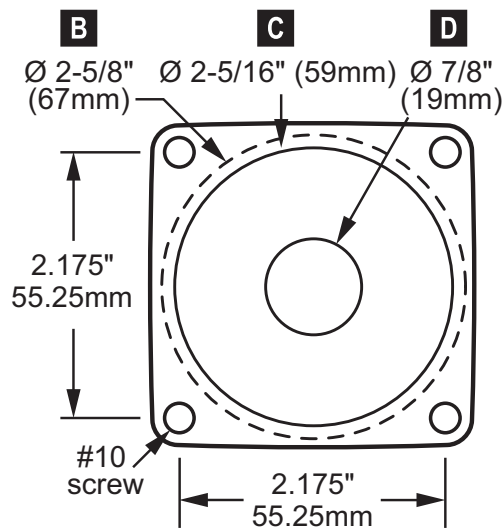
- Refer to the latest edition of NFPA 302 and/or ABYC E11 Standard for installation information.
- Attach one 4/0 AWG cable per terminal to meet ratings.
- Battery cable terminals must be attached under nut and lock washer. Torque 120 in-lb (13.56 N·m).

Operation

- Turn all appliances off before turning the battery switch to OFF.
- Do not switch to OFF while engine is running.



Switch Mounting Options



Mounting Option D
 Additional label available from Blue Sea Systems free of charge.

M-Series Battery Switch Dimensions

