

m-Series Dual Circuit Plus™ Battery Switch

6011 / 6011200

Features

- Simultaneously switches two isolated battery banks or combines battery banks to all loads
- Tin-plated copper studs for maximum conductivity and corrosion resistance
- Studs accept 3/8" (M10) ring terminals
- One-piece terminal stud design never loosens over time
- Isolating cover with three snap-off side pieces protects rear contacts and allows wire access in any direction

Specifications

Cranking Rating: 30 sec.	675A DC per circuit
Intermittent Rating: 5 min. (UL 1107)	450A DC per circuit
Continuous Rating:	300A DC per circuit
Terminal Stud, Tin-Plated Copper	3/8"-16 (M10)
Torque	120 in-lb (13.56 N·m)
Cable Size to Meet Ratings*	4/0 AWG (120 mm ²)
Maximum Voltage Rating	32 Volts DC
Ignition Protected	
CE marked	

Agency Specifications

- Meets all American Boat and Yacht Council (ABYC) requirements for battery switches
- UL Listed - UL 1107 for electric power switches
- Meets UL 1500 and SAE J1171 external ignition protection requirements

Guarantee

Any Blue Sea Systems product with which a customer is not satisfied may be returned for a refund or replacement at any time.

* Reducing cable sizes will reduce current ratings

Caution

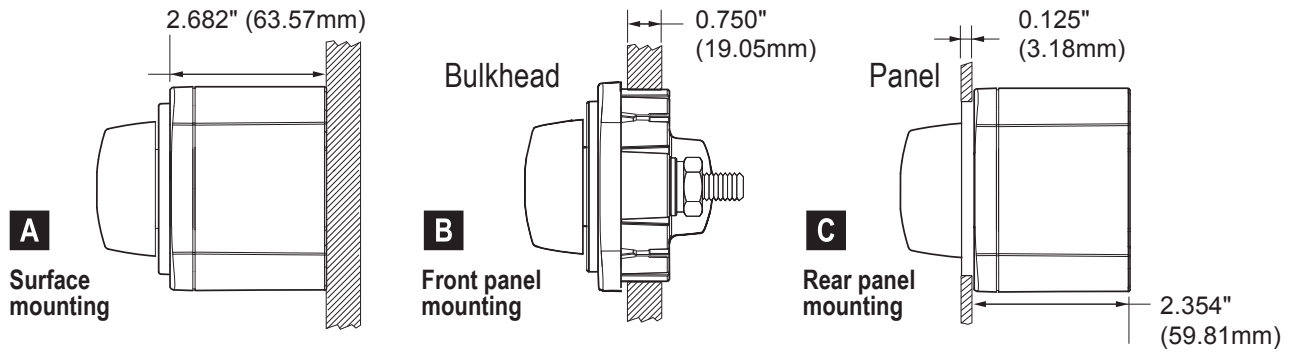
- Disconnect positive battery terminal before installing.
- Consult marine electrical professional for proper wiring application.

Installation

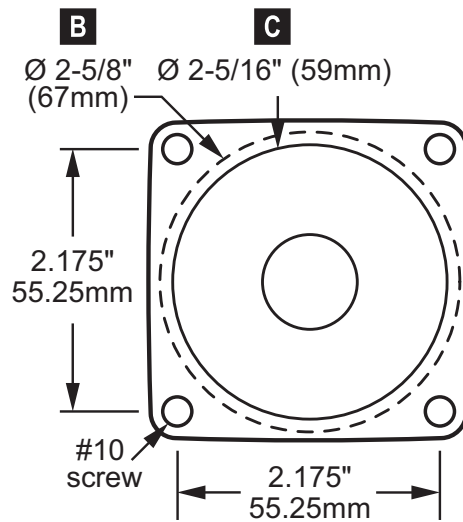
- Refer to the latest edition of NFPA 302 and/or ABYC E11 Standard for installation information.
- Attach one 4/0 AWG cable per terminal to meet ratings.
- Battery cable terminals must be attached under nut and lock washer. Torque 120 in-lb (13.56 N·m).

Operation

- Turn all appliances off before turning the battery switch to OFF.
- Do not switch to OFF while engine is running.



Switch Mounting Options



M-Series Battery Switch Dimensions

