

Add-A-Battery

Don't get stranded with a dead battery

Charge two batteries away from the dock. Provides simplified switching with the Dual Circuit Plus™ Battery Switch and automated charging with the Automatic Charging Relay.

The Add-A-Battery includes a Dual Circuit Plus™ Battery Switch and an Automatic Charging Relay. These components simplify switching and automate charging, so that all you have to do is turn the battery switch ON when you arrive and OFF when you leave.

Dual Circuit Plus™ Battery Switch

- Simplifies switching
- Isolates engine and house circuits
- Combines batteries for emergency starting
- Tin-plated Copper studs for maximum conductivity and corrosion resistance

Automatic Charging Relay (ACR)

- Automatically combines batteries during charging
- Isolates batteries during engine cranking and when not charging
- Shares the charge between two batteries more efficiently than a battery isolator
- Allows efficient dual battery charging without needing regulator adjustment or rewiring

Related Products



MRBF® Terminal Fuse Blocks



Mini Add-A-Battery Plus



Add-A-Battery 360 Panel



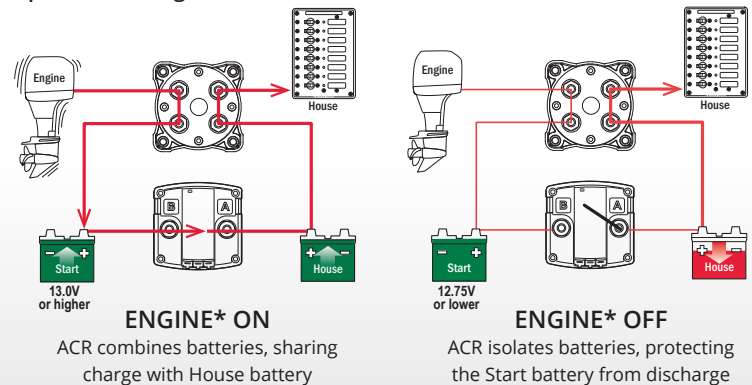
7649



7650



Operational Diagram



*Engine with alternator up to 65A for Mini Add-A-Battery and engine with alternator up to 120A for Add-A-Battery

CE IGNITION PROTECTED

Specs

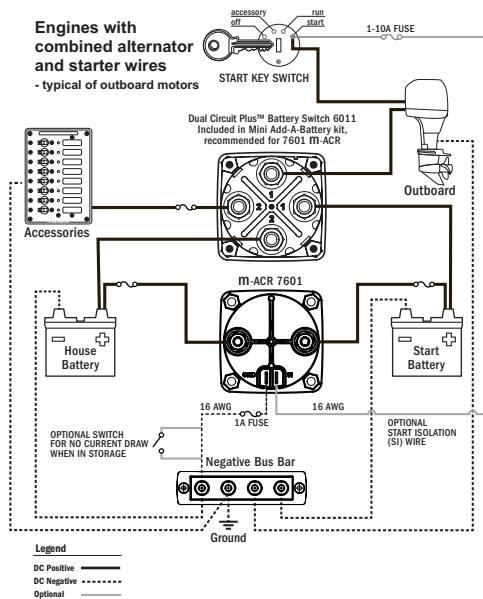
Mini Add-A-Battery 7649

M-Series Dual Circuit Plus™ Battery Switch 6011		
Cranking Rating: 30 sec.	675A per circuit	
Intermittent Rating: 5 min.	450A per circuit	
Continuous Rating	300A per circuit	
Voltage Max. Operating	32V DC	
M-ACR 7601		
Continuous Rating	65A	
Nominal Voltage	12V / 24V DC	
Intermittent Rating: 5 min.	115A	
Cable Size to Meet Ratings	6 AWG (16mm ²)	
Terminal Stud Size	1/4"-20 (M6)	
Relay Contact Position	12V DC	24V DC
Combine (30 sec.)	13.6V DC	27.2V DC
Combine (2 min.)	13.0V DC	26.0V DC
Open Low (10 sec.)	12.35V DC	24.7V DC
Open Low (30 sec.)	12.75V DC	25.5V DC
Over Voltage Lockout	16.0V DC	
Under Voltage Lockout	9.5V DC	19.0V DC
Regulatory	CE marked for Ignition Protection, Meets ISO 8846 and SAE J1171 external ignition protection requirements (UL 1500, M-Series 6011 only) Rated IP67-protected against immersion up to 1 meter for 30 minutes	

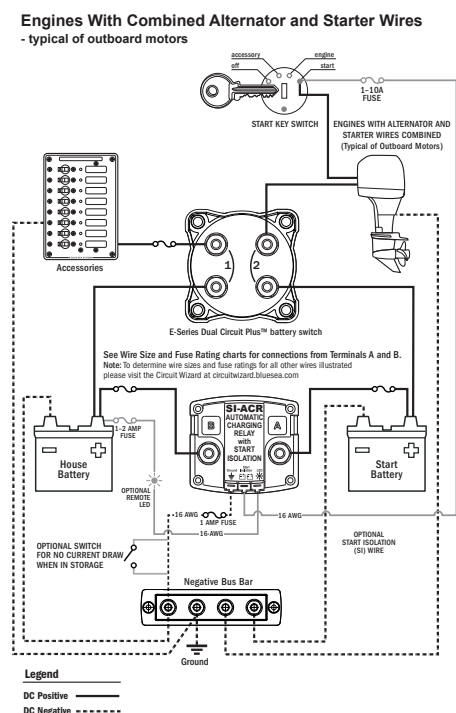
Add-A-Battery 7650

E-Series Dual Circuit Plus™ Battery Switch 5511E		
Cranking Rating: 30 sec.	700A per circuit	
Intermittent Rating: 5 min.	525A per circuit	
Continuous Rating	350A per circuit	
Voltage Max. Operating	32V DC	
SI-ACR 7610		
Continuous Rating	120A	
Nominal Voltage	12V / 24V DC	
Intermittent Rating: 5 min.	210A	
Terminal Stud Size	3/8"-16 (M10)	
Relay Contact Position	12V DC	24V DC
Combine (30 sec.)	13.6V DC	27.2V DC
Combine (2 min.)	13.0V DC	26.0V DC
Open Low (10 sec.)	12.35V DC	24.7V DC
Open Low (30 sec.)	12.75V DC	25.5V DC
Over Voltage Lockout	16.0V DC	
Under Voltage Lockout	9.5V DC	19.0V DC
Under Voltage Reset	10.0V DC	20.0V DC
Regulatory	CE marked for Ignition Protection, Meets ISO 8846, UL 1500 and SAE J1171 external ignition protection requirements Rated IP67-protected against immersion up to 1 meter for 30 minutes	

Mini Add-A-Battery For most outboards



Add-A-Battery For larger outboards or inboards with stock alternators



Specifications subject to change. See blueseasystems.com for current information.